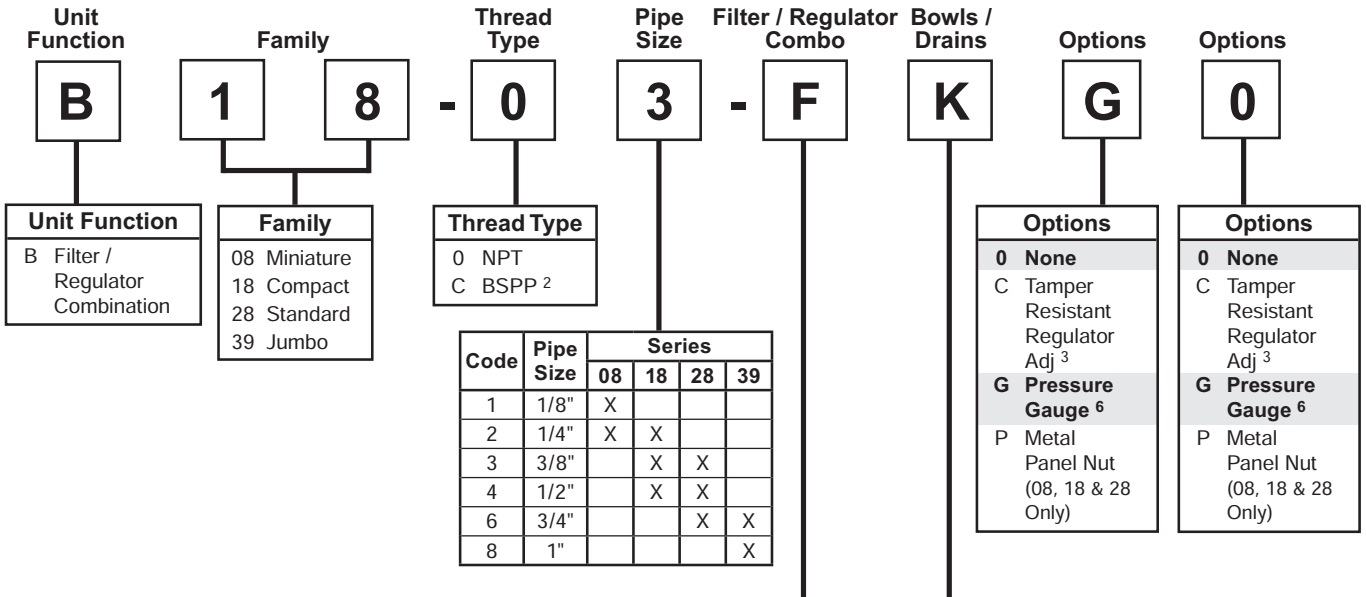


Filter / Regulator Numbering System = "Most Popular"



Drains	Bowls		
	Plastic w / Guard ¹	Metal w/ No Sight Gauge ¹	Metal w/ Sight Gauge ⁴
None (08, 18 & 28 Only)	C	—	D
1/8 NPT Female (18 & 28 Only)	E	U	F
Automatic Drain (18, 28 & 39 Only)	G	A	H
Manual Drain	K	M	L
Piston Drain (08 Only)	R	—	S
Flex Drain (18 & 28 Only)	T	—	—

Diaphragm Function ⁷	Fluorocarbon ¹	Spring Range			
		0 to 30 PSIG ¹ (0 to 2.1 bar)	0 to 60 PSIG ¹ (0 to 4.1 bar)	0 to 125 PSIG (0 to 8.6 bar)	0 to 250 PSIG ^{1,5} (0 to 17.2 bar)
Relieving	No	C	D	F	G
	Yes	J	K	L¹	M
Non-relieving ¹	No	P	W	R	S
	Yes	V	X	Y	Z

¹ Not Available on 39 Series.
² ISO, R228 (G Series).
³ Tamper resistant kit not installed. Kit shipped loose in carton, for 08, 18 & 28 Series.
⁴ B08 Filter / Regulator has an all metal bowl (no sight gauge).
⁵ For 18 & 28 Series Only.
⁶ For 08 Series only: "G" in position 8 or 9 is for unit w/ flush-mounted pressure gauge. Units without gauge have 1/8" threaded gauge ports, and a center back mounted pressure gauge must be ordered separately.

NOTE: When selecting from the options columns, please enter letters in alphabetical order, for positions 7, 8, 9. For example:

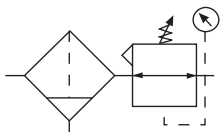
B 18-03-F K 0 0

"F" Series Filters, Type "A" 5 micron elements: All Wilkerson Type "A" 5 micron elements **meet or exceed ISO** Class 3 for maximum particle size and concentration of solid contaminants.

NOTE:All classes above refer to International Standards Organization (ISO) standard 8573-1, pertaining to maximum particle size and concentration of solid contaminants, and maximum oil content.

Filter / Regulator B18

= "Most Popular"



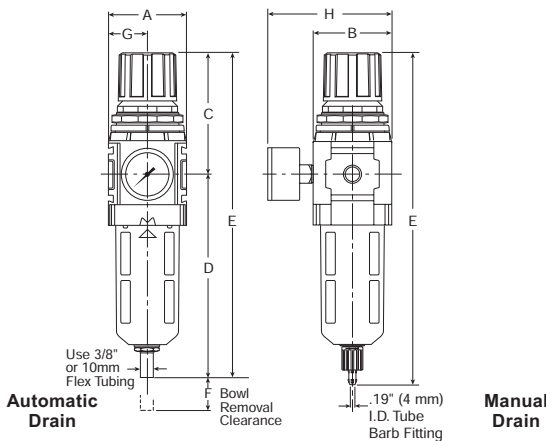
B18-02-FKG0

Features

- 5 Micron Filtration
- Balanced Valve Design
- Spring Loaded Diaphragm
- 1/2" NPT / BSPP-G Over-Ported
- Quick-Disconnect Bowl / Bowl Guard
- Light Weight
- High Flow Capacities

! WARNING

**Product rupture can cause serious injury.
Do not connect regulator to bottled gas.
Do not exceed maximum primary pressure rating.**



Dimensions

Models	Inches (mm)	A	B	C	D	E	F	G	H
Standard Unit with Manual Drain B18-XX-FK00		2.36 (60)	2.36 (60)	3.66 (93)	6.34 (161)	10.00 (254)	1.60 (41)	1.20 (30)	3.74 (95)
Automatic Drain B18-XX-FG00		2.36 (60)	2.36 (60)	3.66 (93)	6.11 (155)	9.77 (248)	1.60 (41)	1.20 (30)	3.74 (95)
Metal Bowl with Sight Gauge / Manual Drain		2.36 (60)	2.70 (69)	3.66 (93)	6.34 (161)	10.00 (254)	1.60 (41)	1.20 (30)	3.74 (95)
Metal Bowl with Sight Gauge / Automatic Drain		2.36 (60)	2.70 (69)	3.66 (93)	6.11 (155)	9.77 (248)	1.60 (41)	1.20 (30)	3.74 (95)

Specifications

Flow Capacity*	1/4	88 SCFM (41.5 dm ³ /s)
	3/8	117 SCFM (55.2 dm ³ /s)
	1/2	121 SCFM (57.1 dm ³ /s)
Adjusting Range Pressure	0 to 30 PSIG (0 to 2.1 bar)	
	0 to 60 PSIG (0 to 4.1 bar)	
	0 to 125 PSIG (0 to 8.6 bar)	
	0 to 250 PSIG (0 to 17.2 bar)	
Gauge Port (2 ea.)	NPT / BSPP-G	1/4
Maximum Supply Pressure	Plastic Bowl	150 PSIG (10.3 bar)
	Metal Bowl	250 PSIG (17.2 bar)
Operating Temperature	Plastic Bowl	32° to 125°F (0° to 52°C)
	Metal Bowl	32° to 150°F (0° to 65.5°C)
Port Size	NPT / BSPP-G	1/4, 3/8, 1/2
Standard Filtration	5 Micron	
Weight	1.48 lb. (0.67 kg)	

* Inlet pressure 100 PSIG (6.9 bar). Secondary pressure 90 PSIG (6.2 bar).

"F" Series Filters, Type "A" 5 micron elements: All Wilkerson Type "A" 5 micron elements meet or exceed ISO Class 3 for maximum particle size and concentration of solid contaminants.

Materials of Construction

Adjustment Knob	Acetal	
Body	Zinc	
Body Cap	ABS	
Bowl	Plastic Bowl	Polycarbonate
	Metal Bowl	Aluminum
Bowl Guard	Nylon	
Diaphragm Assembly	Nitrile / Zinc	
Element Retainer / Baffle	Acetal	
Filter Element	Sintered Polyethylene	
Panel Nut	Acetal	
Seals	Plastic Bowl	Nitrile
	Metal Bowl	Nitrile
Sight Gauge	Metal Bowl	Polyamide (Nylon)
Springs	Main Regulating / Valve	Steel / S.S.
Valve Assembly	Brass / Nitrile	

CAUTION:

REGULATOR PRESSURE ADJUSTMENT – The working range of knob adjustment is designed to permit outlet pressures within their full range. Pressure adjustment beyond this range is also possible because the knob is not a limiting device. This is a common characteristic of most industrial regulators, and limiting devices may be obtained only by special design.

For best performance, regulated pressure should always be set by increasing the pressure up to the desired setting.

= "Most Popular"

Replacement Bowl Kits

- Metal Bowl –
 - Sight Gauge, Automatic Drain..... GRP-96-637
 - Sight Gauge, Manual Drain..... GRP-96-636
- Plastic Bowl –
 - Bowl Guard, Automatic Drain..... GRP-96-635
 - Bowl Guard, Manual Drain..... GRP-96-634
 - Bowl Guard, No Drain..... GRP-96-638

Replacement Element Kits

- Type "A", 5 Micron..... FRP-96-639
- Retainer, Deflector, and Element Kit..... FRP-96-641

Replacement Kits

- Adjusting Knob..... RRP-16-340-000
- Diaphragm Assembly –
 - Non-relieving..... RRP-96-657
 - Relieving..... RRP-96-656
- Spring, Regulating –
 - 0 to 30 PSIG (0 to 2.1 bar)..... RRP-96-659
 - 0 to 60 PSIG (0 to 4.1 bar)..... RRP-96-660
 - 0 to 125 PSIG (0 to 8.6 bar)..... RRP-96-661
 - 0 to 250 PSIG (0 to 17.2 bar)..... RRP-96-662
- Valve Assembly..... RRP-96-658

Accessories

- Automatic Drain –
 - Fluorocarbon..... GRP-95-981
 - Nitrile..... GRP-95-973
- Drain, Manual Override..... GRP-96-000
- Manual Drain..... GRP-96-685
- Panel Mount Nut –
 - Aluminum..... RRP-96-673
 - Plastic..... RRP-96-675
- Pressure Gauge –
 - 0 to 30 PSIG, 1-1/2" Dial Face, 1/4 NPT CBM.. K4515N14030
 - 0 to 60 PSIG, 1-1/2" Dial Face, 1/4 NPT CBM.. K4515N14060
 - 0 to 160 PSIG, 1-1/2" Dial Face, 1/4 NPT CBM.. K4515N14160
 - 0 to 300 PSIG, 1-1/2" Dial Face, 1/4 NPT CBM.. K4515N14300
 - 0 to 2.0 bar, 1-1/2" Dial Face, G 1/4 CBM..... K4515G14030
 - 0 to 4.1 bar, 1-1/2" Dial Face, G 1/4 CBM..... K4515G14060
 - 0 to 11 bar, 1-1/2" Dial Face, G 1/4 CBM..... K4515G14160
 - 0 to 21 bar, 1-1/2" Dial Face, G 1/4 CBM..... K4515G14290
- Tamper Resistant Kit..... RRP-96-671
- Sight Gauge Kit..... GRP-96-825
- Wall Mounting Bracket
 - L-Type (Body)..... GPA-96-604
 - L-Type (Bonnet)..... GPA-96-606
 - T-Type..... GPA-96-602

Ordering Information

Model Type	Port Size	Plastic Bowl / Bowl Guard With Gauge 5 to 125 PSIG (0.4 to 8.6 bar)	Plastic Bowl / Bowl Guard With Gauge 3 to 60 PSIG (0.2 to 4.1 bar)	Metal Bowl / Sight Gauge With Gauge 10 to 250 PSIG (0.7 to 17.2 bar)	Plastic Bowl / Bowl Guard Without Gauge 5 to 125 PSIG (0.4 to 8.6 bar)	Plastic Bowl / Bowl Guard Without Gauge 3 to 60 PSIG (0.2 to 4.1 bar)	Metal Bowl / Sight Gauge Without Gauge 10 to 250 PSIG (0.7 to 17.2 bar)
Manual Drain	1/4	B18-02-FKG0	B18-02-DKG0	B18-02-GLG0	B18-02-FK00	B18-02-DK00	B18-02-GL00
	3/8	B18-03-FKG0	B18-03-DKG0	B18-03-GLG0	B18-03-FK00	B18-03-DK00	B18-03-GL00
	1/2	B18-04-FKG0	B18-04-DKG0	B18-04-GLG0	B18-04-FK00	B18-04-DK00	B18-04-GL00
Automatic Drain	1/4	B18-02-FGG0	B18-02-DGG0	B18-02-GHG0	B18-02-FG00	B18-02-DG00	B18-02-GH00
	3/8	B18-03-FGG0	B18-03-DGG0	B18-03-GHG0	B18-03-FG00	B18-03-DG00	B18-03-GH00
	1/2	B18-04-FGG0	B18-04-DGG0	B18-04-GHG0	B18-04-FG00	B18-04-DG00	B18-04-GH00

Options - To order an option supplied with the unit model, add the appropriate coded suffix letter in the designated position of the model number.

