



# Temperature Controllers

Single SET Digital On/Off

ESM-3710-N



CE EAC

- ▶ Installing parameters using Prokey
- ▶ Password protection for programming section

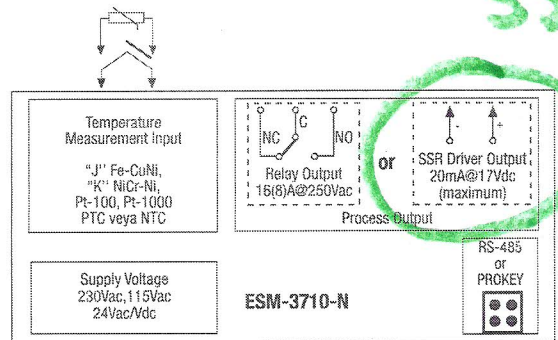
- ▶ Remote access, data collecting and controlling with Modbus RTU
- ▶ Adjustable internal buzzer according to sensor defect status

### Specifications

- 4 Digits Display
- NTC Input or PTC Input or
- J type thermocouple Input or Ktype thermocouple Input or
- 2-Wire PT-100 Input ori 2-Wire PT-1000 Input (Must be determined in order.)
- Adjustable temperature offset
- ON/OFF temperature control
- Selectable heating or cooling function
- Selection of operation with hysteresis
- Adjustable temperature offset
- Set value low limit and set value high limit boundaries
- Operation selection of compressor operates continuously, stops or operates periodically in case of sensor defect
- Compressor protection delays

### Technical Specification

- Accuracy:** ±1% of scale
- Cold Junction Compensation:** Automatically ± 0.1°C/1°C
- Sensor Break Protection:** Upscale
- Sampling Cycle:** 3 samples per second



SSR



ESM-3710-N . A . BC . 0 . E / 00 . 00 / 1 . V . 0 . 0

ESM-3710-N (76x34,5x71 mm)

- A Supply Voltage
- 2 24Vac/dc (-15%;+10%) 50/60 Hz -1.5VA
- 3 24Vac (±15%) 50/60 Hz -1.5VA
- 4 115Vac (±15%) 50/60 Hz -1.5VA
- 5 230Vac (±15%) 50/60 Hz -1.5VA
- 8 10-30Vdc(±15%) 50/60 Hz

- BC Input
- 05 J, Fe CuNi IEC584.1(ITS90)
- 10 K, NiCr Ni IEC584.1(ITS90)
- 11 Pt 100, (-50...400°C)
- 09 Pt 100, (-19.9...99.9°C)
- 12 PTC (-50...150°C)
- 14 Pt 1000, (-50...400°C)
- 13 Pt 1000, (-19.9...99.9°C)
- 18 NTC (-50...100°C)

- V
- PTC-M6L40.K1.5 (PTC Air Probe with 1.5 m silicon cable)
- 2 PTC-M6L30.K1.5.1/8" (PTC Liquid Probe with 1.5 m silicon cable)
- 3 NTC-M5L20.K1.5 (NTC Probe, thermoplastic moulded with 1.5 m cable for cooling application)
- 4 NTC-M6L50.K1.5 (Metal protective tubular, 1.5 m wired NTC probe)

- Process Output E
- Relay Output: (16(8)A @ 250Vac)
- SSR Driver Output (Maximum 20mA @ 17Vdc)
- Relay Output (30(15)A@240Vac, 1 NO (Only for NTC input type devices.)

SIMILARI ESM 3711-HH 3712-HH 3720