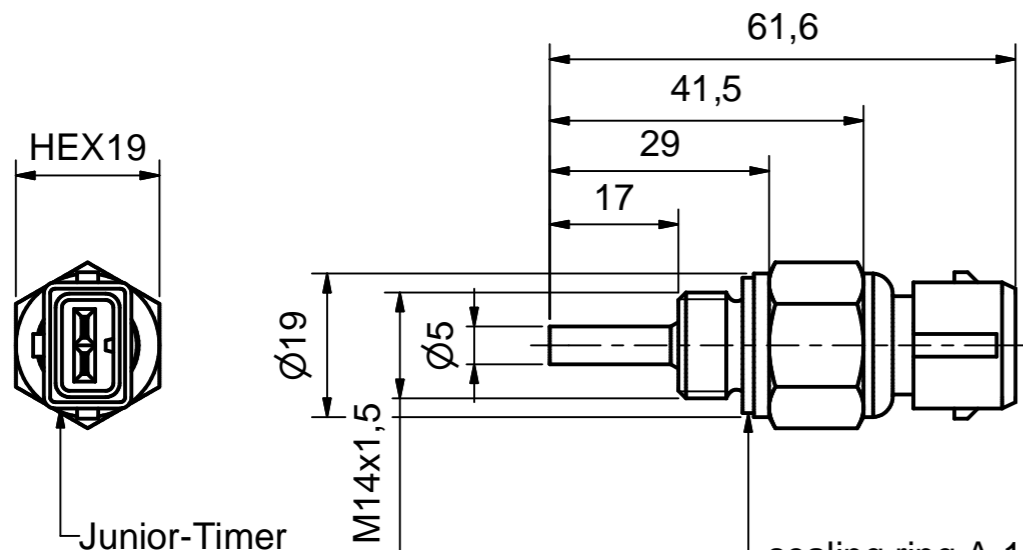


Any non-compliance shall obligate the violator to compensate for damages. In case any patent is issued or a utility model is registered, or in case of any other industrial property rights, all such rights must be reserved for us.

BEDIA Motorentechnik GmbH & Co.KG,
Leinburg/Weissenbrunn

The copyright to this drawing belongs to us. No duplication or transfer to, providing access to or communicating to any third parties is allowed of its contents or excerpts thereof. This drawing may not be used without our approval for any purpose other than that for which it has been entrusted to the recipient.



Junior-Timer
with contact
(2,8x0,8)
tightening torque
at connector 2Nm

sealing ring A 14x20 x 1,5
DIN7603-Cu
is captive covered in shipment

Resistance table nickel 1000 to DIN 43760

temperature °C	resistance Ohm	temperature °C	resistance Ohm
-40	791,31	50	1291,05
-35	867,04	55	1322,05
-30	841,46	60	1353,40
-25	919,22	65	1385,12
-20	892,96	70	1417,21
-15	972,74	75	1449,67
-10	945,82	80	1482,50
0	1000,00	85	1515,73
5	1027,59	90	1549,34
10	1055,52	95	1583,36
15	1083,77	100	1617,79
20	1112,36	105	1652,62
25	1141,29	110	1687,89
30	1170,56	115	1723,58
35	1200,16	120	1759,72
40	1230,11	125	1796,30
45	1260,41	130	1833,35

Supplier: BEDIA Motorentechnik GmbH & Co.KG, D-91227 Leinburg/Weissenbrunn
Order Number: 420238

Mechanical data: Case material: CuZn38Pb2; EN12164, CW608N
Integral thread: M14x1,5 thread relief per DIN3852 Form-A
Number of measurement systems: 1
Connector: Flat course connector typ.: Junior-Timer (2.8x0.8) 2-pole mass-free synthetic housing, locking spring manufacturer's part number on hexagon

Electrical data: Permanent marking
Tightening torque: 30 Nm max.

Measuring resistor Accuracy: Ni 1000 per DIN 43 760
± 0,5°C to 20°C
± 1,1°C to 100°C
Resistance value: 0°C : 1000,00 Ohm
100°C : 1617,79 Ohm
Time constant in water / air: -> 1 m / sec.
Dead time water: -> 0,2 m / sec.
Measuring current: < 5,0 mA
Power supply: Constant current or constant voltage
Dielectric strength: per VDE 0160 / 500 VAC, 50Hz, 1min
Insulation resistance with respect to housing: per VDE 0100 / >10 MOhm / 500 VDC

Environmental conditions: Relative humidity: 92% at 40°C / 83% at 23°C
Measurement temperature range: -50°C to 250°C (measured medium)
Connector housing temperature range: -30°C to +100°C
Storage temperature: -54°C to +125°C (-60°C max. 20 hours)
Vibration resistance: noise excitation 10 g ms 0,1 kHz to 2 kHz
Noise test (with noise): half-sine-wave impact 50g / 11 ms also BV 043
Shock resistance (peak): 20 bar
Operating pressure: IP 67 per DIN 40 050
Protection: VG 95 373 limit value class 2
EMC: lubricating oils, hydraulic oil, fuels, cooling water, air and non-corrosive gasses
Measured media:

field of application	admissible tolerance	surface	scale 1:1	position -	amount -
	-	-		-	-
	ISO2768-m	-		-	-
	date	name	description		
	created by 15.01.2008	Möderer	Screw-in resistance thermometer		
	checked by 15.01.2008	Zibes			
			drawing number	sheet	
			420238	1/1	
rev.	modification	date	drawing path: I:\CAD\420\420238US.dwg		

