

Mini slides, Series ZSC

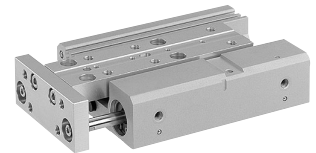


Technical Data

Operating type		Double-acting type
Operating pressure range		1,5–7 bar (22–102 psi)
Proof pressure		10,5 bar (152 psi)
Operating temperature range		0 °C to +50 °C (32 °F to +122 °F)
Stroke repeatability*		±0,05 mm
Cushioning	Standard	Rubber bumper
	Option	Shock absorber, metal stop and rubber stop
Operating speed range		0,05 ... 0,5 m/s (0.16 ... 1.64 ft/s)
Medium		Compressed air, lubricated or non-lubricated
Lubrication	Cylinder	Not required. If required use turbine oil class 1 (ISO VG32) or equivalent.

* In case of shock absorber with stroke adjusting. Guide Not required. If required use lithium

Material	Body	Aluminum alloy (anodized)
	Guide	Stainless steel
	Piston	Aluminum alloy (anti rust)



Application area

Suitable for all applications where a z-axis movement is needed.

Technical information

Type		ZSC6	ZSC10	ZSC16	ZSC20	ZSC25
Bore size [mm]		2 x 6	2 x 10	2 x 16	2 x 20	2 x 25
Maximum allowable load mass [kg] (lbs)		6,7 (14.8)	16,6 (36.6)	22,9 (50.5)	41,7 (91.9)	63,4 (140)
Stroke adjusting range* [mm]	Rubber stop pull side	-5-0	-5-0	-5-0	-5-0	-5-0
	Rubber stop push side	-12-0	-11-0	-14-0	-13-0	-17-0
	Shock absorber pull side	-	-5-0	-11-0	-10-0	-7-0
	Shock absorber push side	-	-11-0	-19-0	-18-0	-17-0
Parallelism during stroke [mm]	1)	0,1	0,1	0,1	0,1	0,1
	2)	0,2	0,2	0,2	0,2	0,2
Port size		M5x0,8	M5x0,8	M5x0,8	G 1/8	G 1/8

1) Stroke lengths: ZSC6 up to 40 mm, ZSC10 up to 50 mm, ZSC16, ZSC20, ZSC25 up to 80 mm.

2) Stroke lengths: ZSC6; 50 mm and longer. ZSC10; 60 mm and longer. ZSC16, ZSC20, ZSC25; 90 mm and 100 mm.

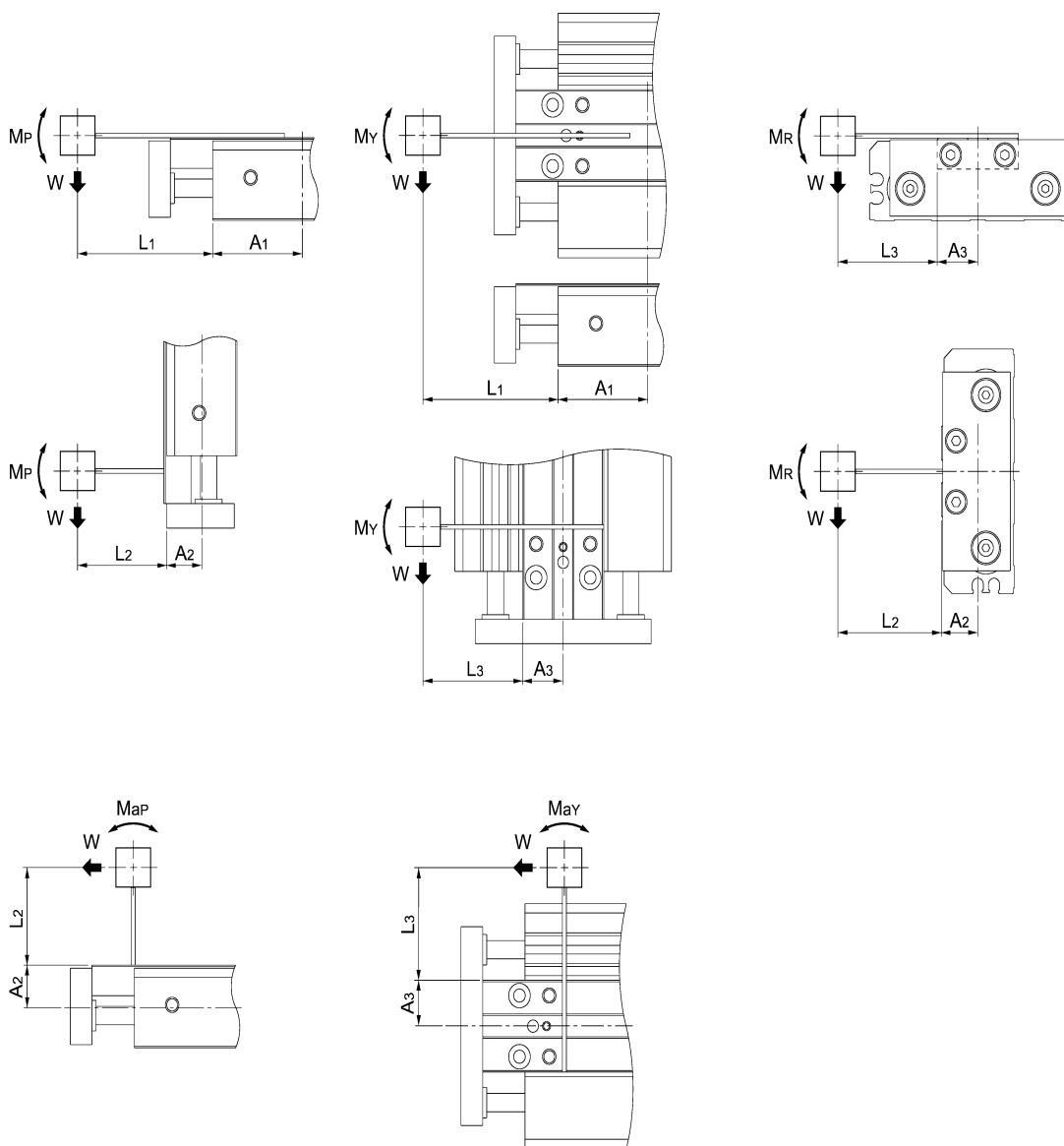
Part no.

Piston Ø	Stroke	2 x 6	2 x 10	2 x 16	2 x 20	2 x 25
		2650113000	2650113120	2650113280	2650113440	2650113600
10	20	2650113010	2650113130	2650113290	2650113450	2650113610
30	40	2650113020	2650113140	2650113300	2650113460	2650113620
40	50	2650113030	2650113150	2650113310	2650113470	2650113630
50	60	2650113040	2650113160	2650113320	2650113480	2650113640
60	70	2650113050	2650113170	2650113330	2650113490	2650113650
70	80	2650113060	2650113180	2650113340	2650113500	2650113660
80	90	-	2650113190	2650113350	2650113510	2650113670
90	100	-	2650113200	2650113360	2650113520	2650113680
		-	2650113210	2650113370	2650113530	2650113690

Weight

Piston Ø [mm]	Zero stroke mass [kg] (lbs)	Add. mass for each 10 stroke [kg] (lbs)
6	0,085 (0.187)	0,020 (0.044)
10	0,170 (0.375)	0,029 (0.064)
16	0,323 (0.712)	0,043 (0.095)
20	0,577 (1.27)	0,067 (0.148)
25	0,973 (2.15)	0,094 (0.207)

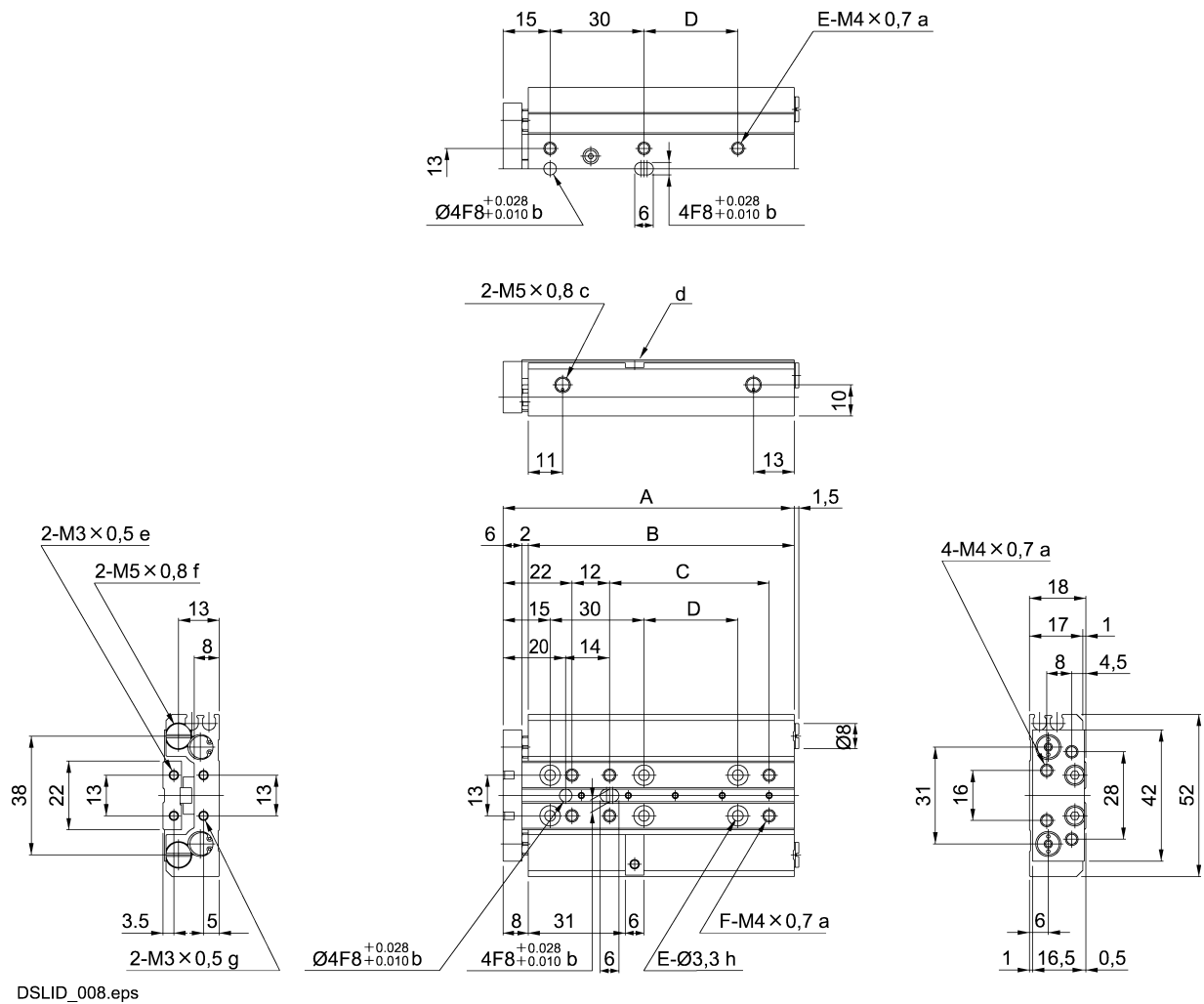
Momentum



DSLID_030.eps

Technical Data	Designation	Unit	ZSC6	ZSC10	ZSC16	ZSC20	ZSC25
Max. cushioning energy	Ea	J (in.lbs)	0,018 (0.16)	0,055 (0.49)	0,110 (0.97)	0,160 (1.42)	0,240 (2.12)
Max. cushioning energy with shock absorber	Ea	J (in.lbs)	–	1,0 (8.85)	2,9 (25.67)	3,9 (34.52)	5,9 (52.22)
Max. load	W max.	kg (lbs)	6,7 (14.8)	16,6 (36.6)	22,9 (50.5)	41,5 (91.5)	63,4 (140)
Dimensions	A1	mm	20,0	26,0	33,0	38,0	47,0
	A2	mm	11,5	15,0	18,5	22,5	27,5
	A3	mm	11,0	12,5	15,0	18,0	22,0
Max. moment	MaP	Nm (in.lbs)	1,59 (14.07)	2,01(17.79)	6,17 (54.61)	8,23 (72.84)	10,29 (91.07)
	MaY	Nm (in.lbs)	0,53 (4.69)	1,60 (14.16)	4,94 (43.72)	6,59 (58.33)	8,23 (72.84)
	MaR	Nm (in.lbs)	0,67 (5.93)	2,01(17.79)	6,17 (54.61)	8,23 (72.84)	10,29 (91.07)

ZSC 6



DSLID_008.eps

a	b	c	d	e	f	g	h
Depth 6	Depth 4	Connection port	Stroke adjustment fitting*	Depth 4,5	Port with plug	Depth 5,5	M 3 holes 10 from top

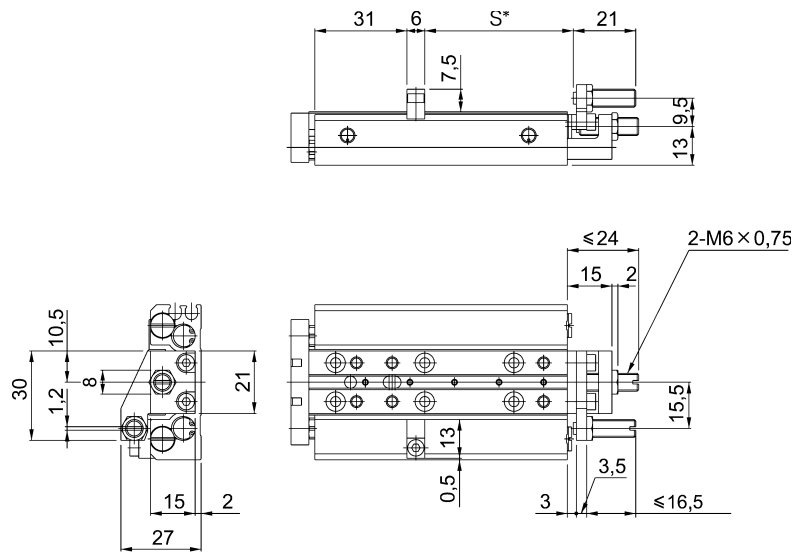
* Not for stroke length 10 mm.

Stroke	A	B	C	D	E No. of holes	F
10	53	45	–	–	4	4
20	63	55	21	–	4	6
30	73	65	31	–	4	6
40	83	75	41	–	4	6
(50)*	93	85	51	30	6	6
(60)*	103	95	61	30	6	6
(70)*	113	105	71	30	6	6

* Available on request.

Mini slides, Series ZSC

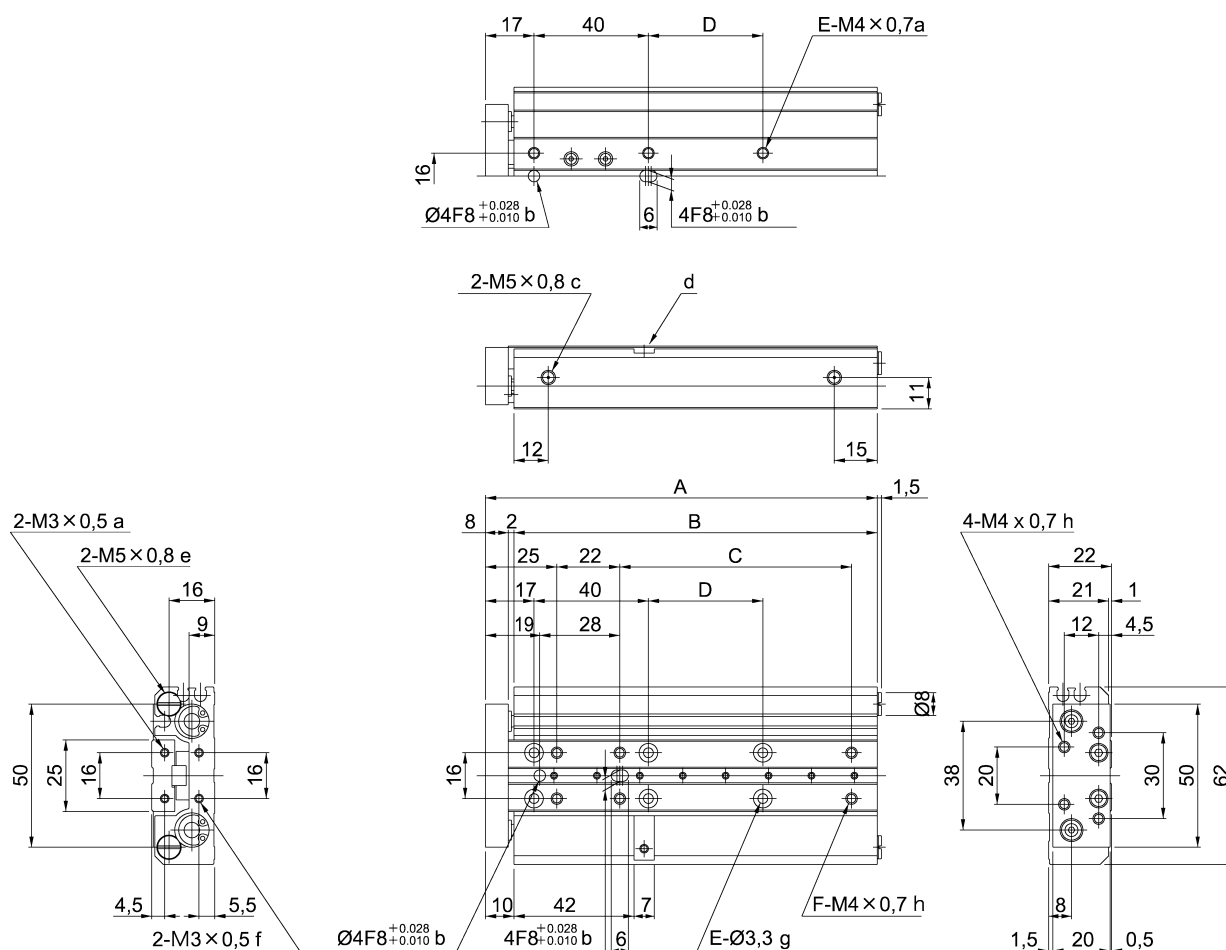
ZSC 6 with shock absorber



DSLID_021.eps

S^* = Stroke

ZSC 10



DSLID_009.eps

a	b	c	d	e	f	g	h
Depth 6	Depth 4	Connection port	Stroke adjustment fitting*	Port with plug	Depth 7	M 3 holes 13 from top	Depth 8

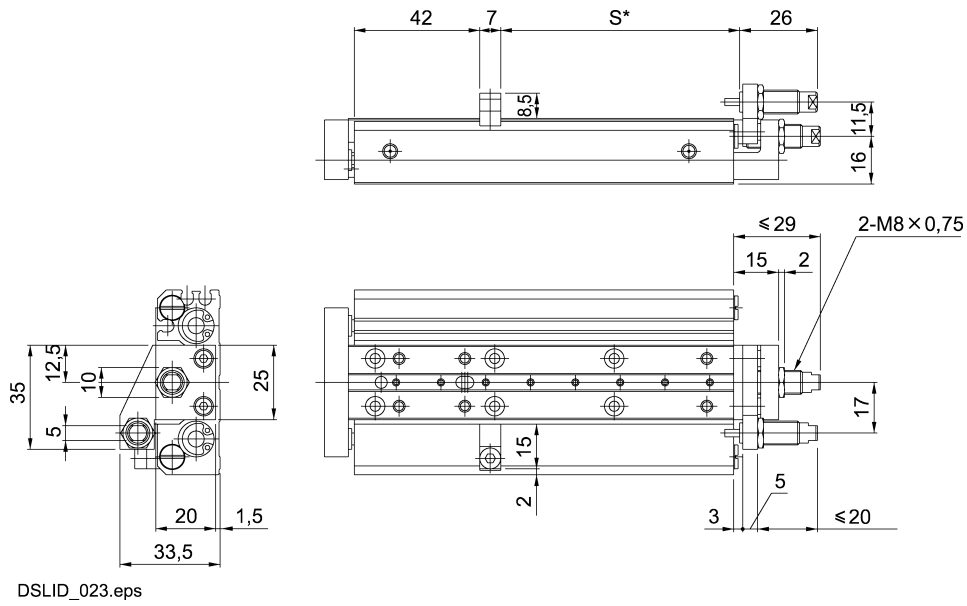
* Not for stroke length 10 mm.

Stroke	A	B	C	D	E No. of holes	F
10	67	57	–	–	4	4
20	77	67	21	–	4	6
30	87	77	31	–	4	6
40	97	87	41	–	4	6
50	107	97	51	–	4	6
(60)*	117	107	61	40	6	6
(70)*	113	105	71	30	6	6
(80)*	137	127	81	40	6	6
(90)*	147	137	91	40	6	6
(100)*	157	147	101	40	6	6

* Available on request.

Mini slides, Series ZSC

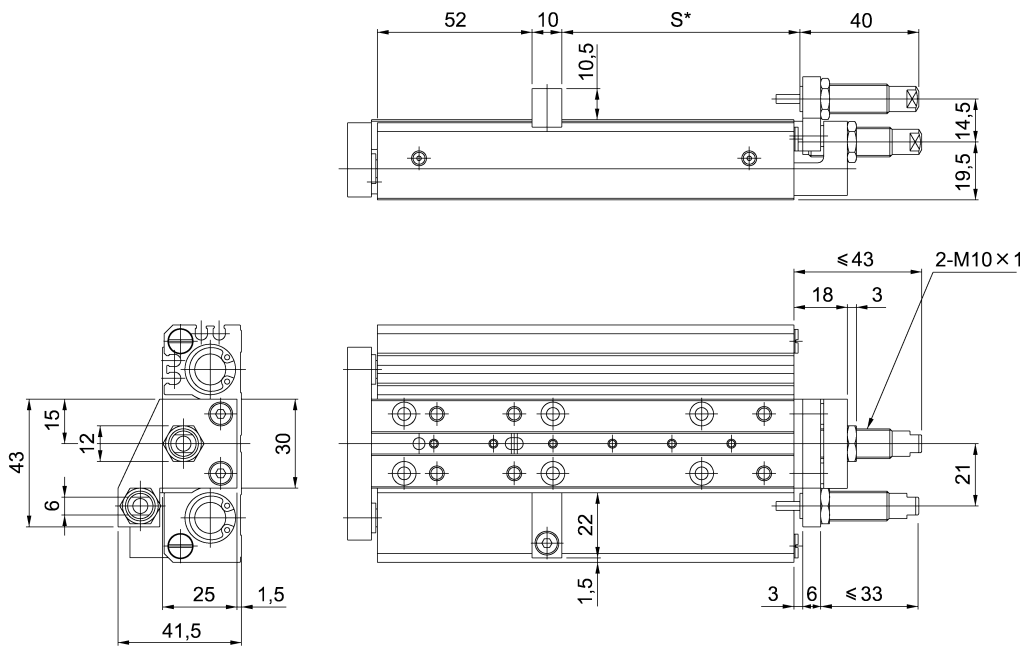
ZSC 10 with shock absorber



S^* = Stroke

Mini slides, Series ZSC

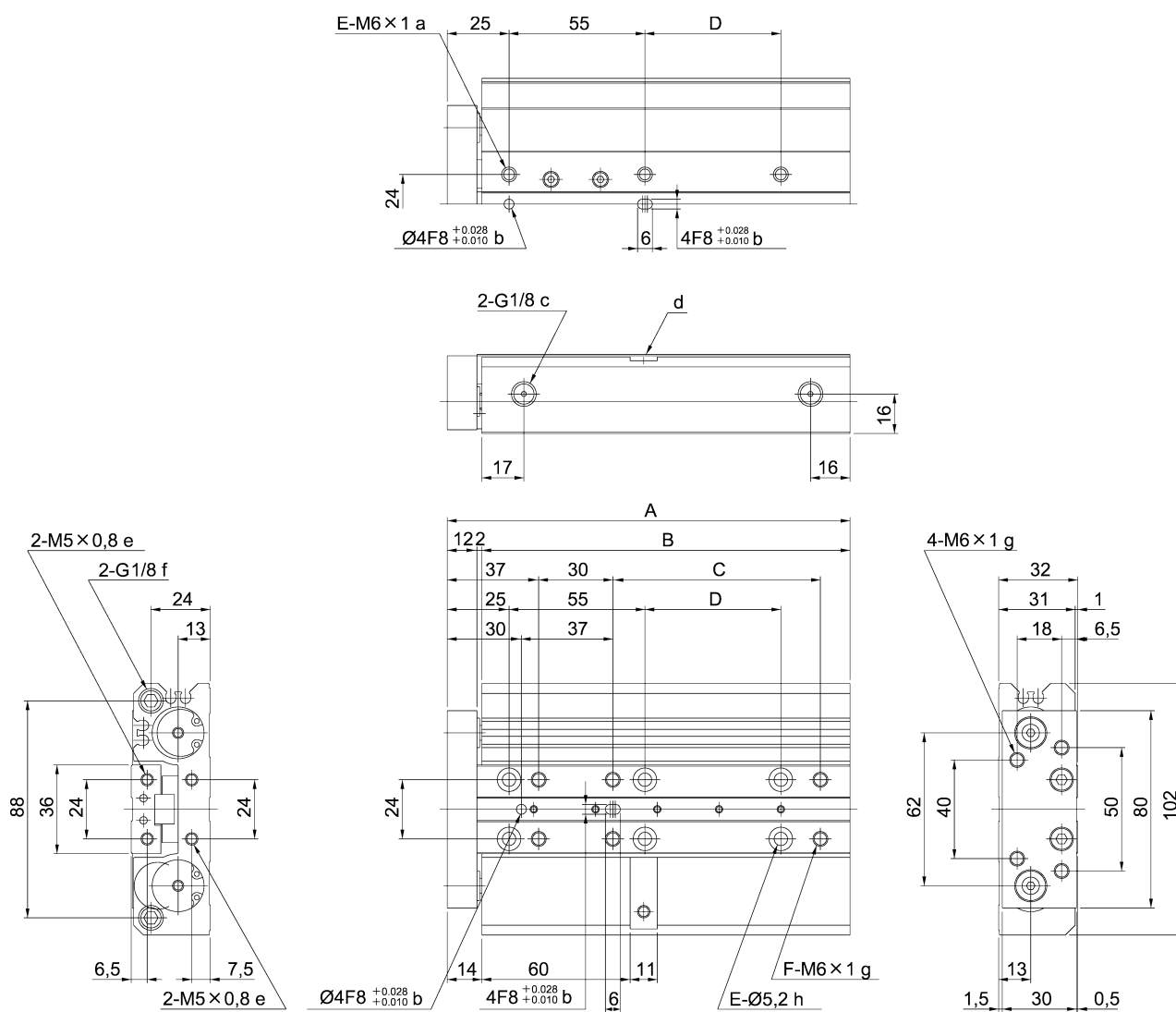
ZSC 16 with shock absorber



DSLID_025.eps

S^* = Stroke

ZSC 20



DSLID_011.eps

a	b	c	d	e	f	g	h
Depth 9	Depth 4	Connection port	Stroke adjustment fitting*	Depth 8	Port with plug	Depth 12	M 5 holes 19 from top

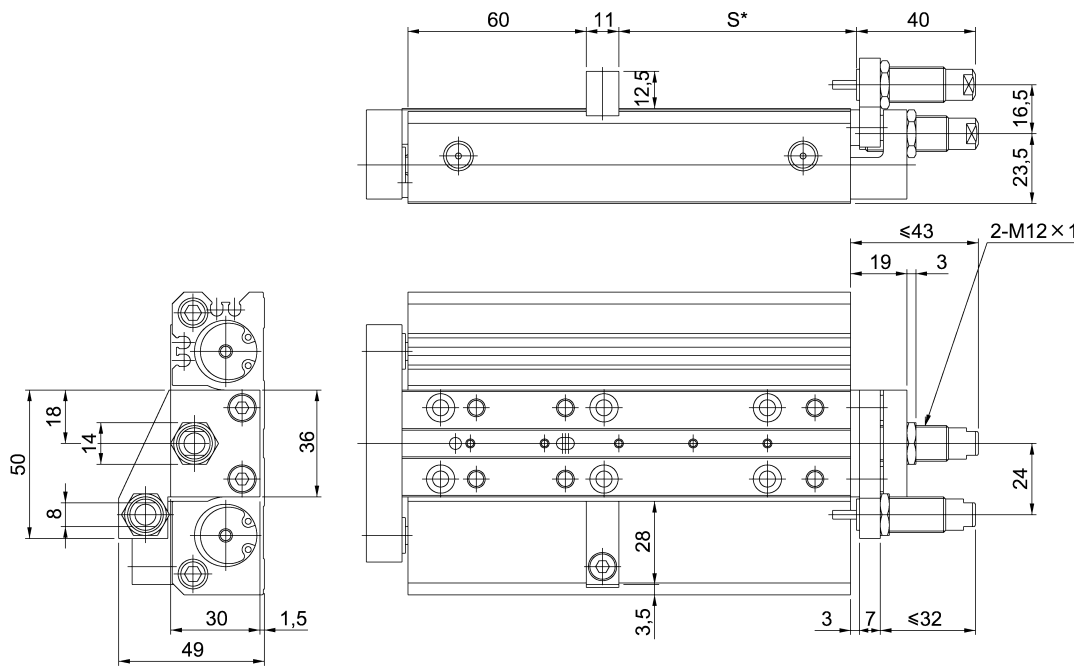
* Not for stroke length 10 mm.

Stroke	A	B	C	D	E No. of holes	F
10	93	79	–	–	4	4
20	103	89	24	–	4	6
30	113	99	34	–	4	6
40	123	109	44	–	4	6
50	133	119	54	–	4	6
(60)*	143	129	64	–	4	6
(70)*	153	139	74	–	4	6
80	163	149	84	55	6	6
(90)*	173	159	94	55	6	6
(100)*	183	169	104	55	6	6

* Available on request.

Mini slides, Series ZSC

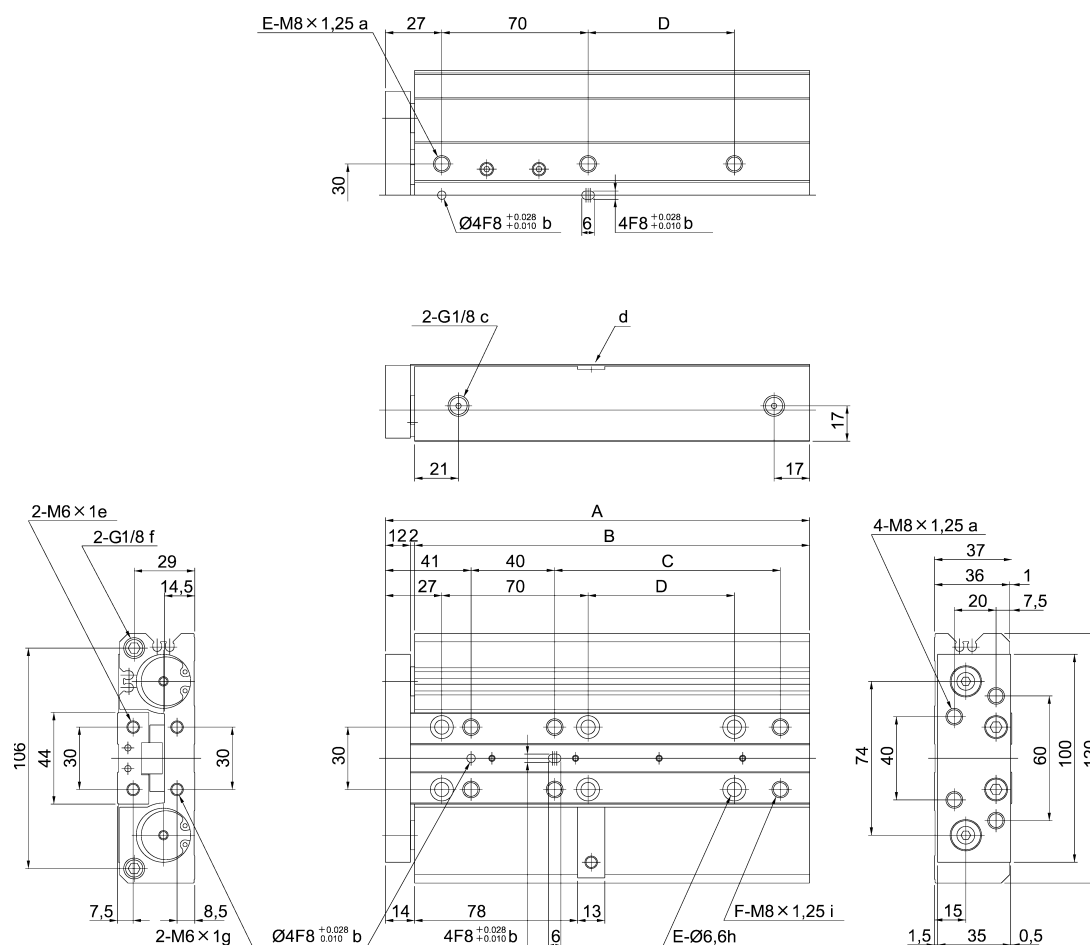
ZSC 20 with shock absorber



DSLID_027.eps

S^* = Stroke

ZSC 25



DSLID_012.eps

a	b	c	d	e	f	g	h	i
Depth 12	Depth 4	Connection port	Stroke adjustment fitting*	Depth 9	Port with plug	Depth 10	Depth 15	M6 holes 22,5 from top

* Not for stroke length 10 mm.

Stroke	A	B	C	D	E No. of holes	F
10	113	99	—	—	4	4
20	123	109	28	—	4	6
30	133	119	38	—	4	6
40	143	129	48	—	4	6
50	153	139	58	—	4	6
(60)*	163	149	68	—	4	6
(70)*	173	159	78	—	4	6
80	183	169	88	—	4	6
(90)*	193	179	98	70	6	6
(100)*	203	189	108	70	6	6

* Available on request.

