

*advanced quality
customized designs
made in europe and usa*

**UNIVERSAL
HYDRAULIK**® 
Your Partner for coolers and systems

HYBRID COOLING

Heat Exchanger Series EKM – SCM UKM – UKTM



- Shell side (oil): increased performance due to fin-technic
- Tube side (water): long service life; easy to clean
- Tube side (water): various Material options: for example CU- / CN- / TI- / SS
- On- and in-tank mounted cooler
- Heat capacity up to 6705 hp
- Flow rates up to 581 gal/min (Shell side)
- Compact design
- Also available as failsafe heat exchanger



Product description

The Hybrid series is a logical further development of a shell & tube heat exchanger for a wide range of industrial applications. Aluminum fins, which are pushed over the tube bundle, connected by force, lead to an increased heat exchange surface. This is why the series is so efficient. The hybrid-design series is able to reach a heat output up to 6705 hp with a smaller footprint than a bare tube cooler.

Product features

- Aluminium fins ensure a larger heat exchanger surface
- Heat output capacity up to 6705 hp
- Tube side (water): flow rate up to 581 gal/min
- Removable end caps for easy cleaning of the tubes
- Max. pressure: shell 500 psi / tube 230 psi (high pressure on demand)
- High- quality materials
- Tested five times during production

Options

- Sea water resistant version
- Certifications for marine applications: Bureau Veritas, ABS, DNVGL, Rina, CCS, TL, PRS, NKK and others
- Compressed-air application
- Stainless steel version or chemically nickel plated
- 3.1 certification on requested
- Hydrotest on request
- ATEX-certification on request
- ASME-certification on request
- Internal bypass
- Titanium parts
- Fail-safe-version

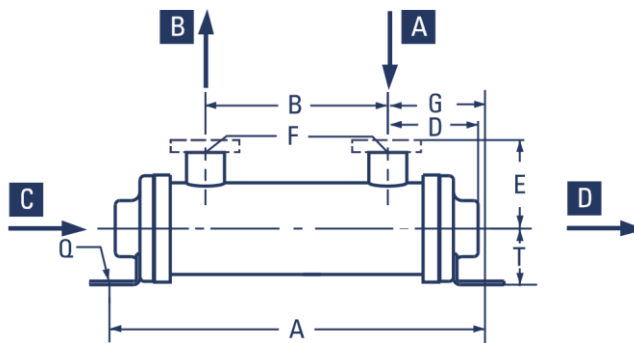
Materials

	Standard	Option	Sea water Standard
Shell Mounting Baffles	Steel	Stainless steel (SS)	
Tube sheet	Steel	Stainless steel (SS)	Brass
Cooling fins Name plate	Aluminium		
Tubes	CuNi 90/10 (CN)	Stainless steel (SS)/ Copper (CU)	Titan or Copper nickel
End caps	Cast iron	Stainless steel (SS)	Cast iron (chemically nickel plated) or gun metal with zinc anode

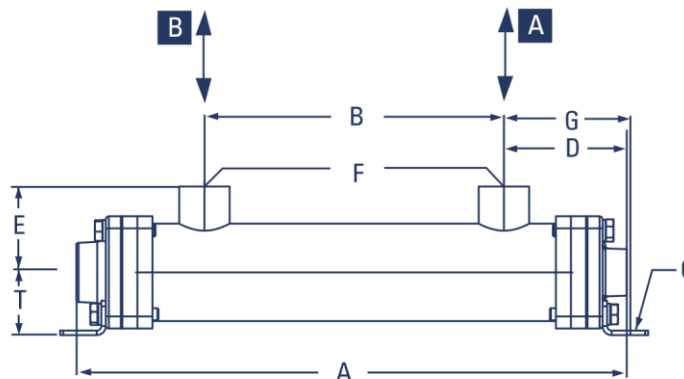
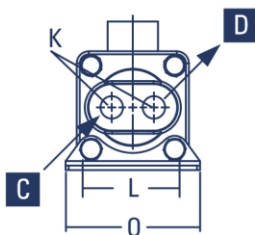
Unit dimensions EKM-500-Series

Typ	A	B	D	E	F	G	I	K	L	O	Q	R	T
EKM-505-O	7.44	2.17	2.60	2.24	SAE#12	2.64	-	-	2.50	3.50	ø0,34x0,61	3/4"NPT	1.65
EKM-508-O	10.43	3.82	3.27	2.24	SAE#12	3.31	-	-	2.50	3.50	ø0,34x0,61	3/4"NPT	1.65
EKM-510-O	12.44	5.83	3.27	2.24	SAE#12	3.31	-	-	2.50	3.50	ø0,34x0,61	3/4"NPT	1.65
EKM-512-O	14.45	7.83	3.27	2.24	SAE#12	3.31	-	-	2.50	3.50	ø0,34x0,61	3/4"NPT	1.65
EKM-514-O	16.46	9.84	3.27	2.24	SAE#12	3.31	-	-	2.50	3.50	ø0,34x0,61	3/4"NPT	1.65
EKM-518-O	20.43	13.82	3.27	2.24	SAE#12	3.31	-	-	2.50	3.50	ø0,34x0,61	3/4"NPT	1.65
EKM-524-O	26.46	19.84	3.27	2.24	SAE#12	3.31	-	-	2.50	3.50	ø0,34x0,61	3/4"NPT	1.65
EKM-536-O	38.43	31.81	3.27	2.24	SAE#12	3.31	-	-	2.50	3.50	ø0,34x0,61	3/4"NPT	1.65
Typ	A	B	D	E	F	G	I	K	L	O	Q	R	T
EKM-505-T	7.44	2.17	2.54	2.24	SAE#12	2.64	1.10	3/8"NPT	2.50	3.50	ø0,34x0,61	-	1.65
EKM-508-T	10.43	3.82	3.23	2.24	SAE#12	3.31	1.10	3/8"NPT	2.50	3.50	ø0,34x0,61	-	1.65
EKM-510-T	12.44	5.83	3.23	2.24	SAE#12	3.31	1.10	3/8"NPT	2.50	3.50	ø0,34x0,61	-	1.65
EKM-512-T	14.45	7.83	3.23	2.24	SAE#12	3.31	1.10	3/8"NPT	2.50	3.50	ø0,34x0,61	-	1.65
EKM-514-T	16.46	9.84	3.23	2.24	SAE#12	3.31	1.10	3/8"NPT	2.50	3.50	ø0,34x0,61	-	1.65
EKM-518-T	20.43	13.82	3.23	2.24	SAE#12	3.31	1.10	3/8"NPT	2.50	3.50	ø0,34x0,61	-	1.65
EKM-524-T	26.46	19.84	3.23	2.24	SAE#12	3.31	1.10	3/8"NPT	2.50	3.50	ø0,34x0,61	-	1.65
EKM-536-T	38.43	31.81	3.23	2.24	SAE#12	3.31	1.10	3/8"NPT	2.50	3.50	ø0,34x0,61	-	1.65

All dimensions in inch



A - Medium to be cooled **B** - Cooled Medium **C** - Cooling water „inlet“ **D** - Cooling water „outlet“

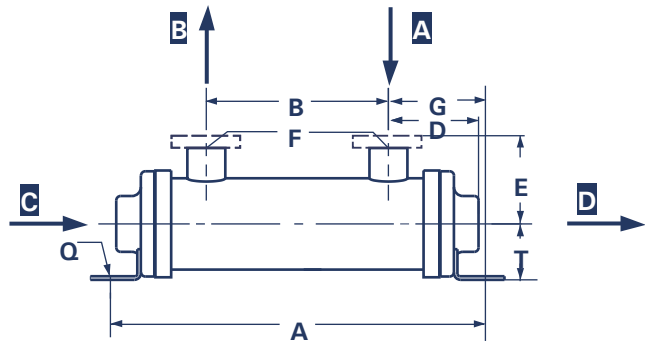
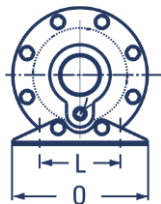


A - Medium to be cooled **B** - Cooled Medium **C** - Cooling water „inlet“ **D** - Cooling water „outlet“

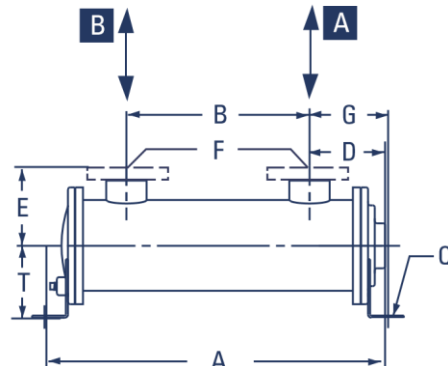
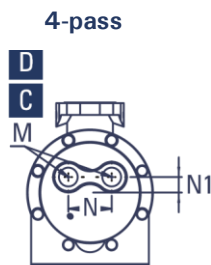
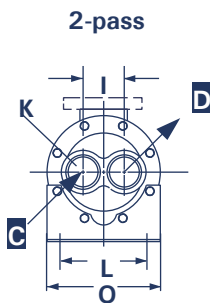
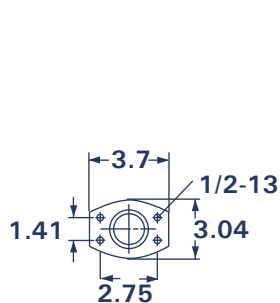
Unit dimensions EKM-700-Series

Typ	A	B	D	E	F	G	I	K	L	M	N	N1	O	Q	R	T
EKM-708-O	11.14	2.99	3.98	2.87	SAE#24	4.07	-	-	2.99	-	-	-	5.0	∅0.43x0.91	11/4"NPT	2.64
EKM-712-O	15.16	7.01	3.98	2.87	SAE#24	4.07	-	-	2.99	-	-	-	5.0	∅0.43x0.91	11/4"NPT	2.60
EKM-714-O	17.17	9.02	3.98	2.87	SAE#24	4.07	-	-	2.99	-	-	-	5.0	∅0.43x0.91	11/4"NPT	2.64
EKM-718-O	21.14	12.99	3.98	2.87	SAE#24	4.07	-	-	2.99	-	-	-	5.0	∅0.43x0.91	11/4"NPT	2.64
EKM-724-O	27.17	19.02	3.98	2.87	SAE#24	4.07	-	-	2.99	-	-	-	5.0	∅0.43x0.91	11/4"NPT	2.64
EKM-736-O	39.13	30.98	3.98	2.87	SAE#24	4.07	-	-	2.99	-	-	-	5.0	∅0.43x0.91	11/4"NPT	2.64
Typ	A	B	D	E	F	G	I	K	L	M	N	N1	O	Q	R	T
EKM-708-T	11.14	2.99	3.50	2.87	SAE#24	4.07	1.61	1"NPT	2.99	-	-	-	5.0	∅0.43x0.91	-	2.64
EKM-712-T	15.16	7.01	3.50	2.87	SAE#24	4.07	1.61	1"NPT	2.99	-	-	-	5.0	∅0.43x0.91	-	2.64
EKM-714-T	17.17	9.02	3.50	2.87	SAE#24	4.07	1.61	1"NPT	2.99	-	-	-	5.0	∅0.43x0.91	-	2.64
EKM-718-T	21.14	12.99	3.50	2.87	SAE#24	4.07	1.61	1"NPT	2.99	-	-	-	5.0	∅0.43x0.91	-	2.64
EKM-724-T	27.17	19.02	3.50	2.87	SAE#24	4.07	1.61	1"NPT	2.99	-	-	-	5.0	∅0.43x0.91	-	2.64
EKM-736-T	39.13	30.98	3.50	2.87	SAE#24	4.07	1.61	1"NPT	2.99	-	-	-	5.0	∅0.43x0.91	-	2.64
Typ	A	B	D	E	F	G	I	K	L	M	N	N1	O	Q	R	T
EKM-708-F	11.14	2.99	3.54	2.87	SAE#24	4.07	-	-	2.99	1/2"NPT	1.73	0.71	5.0	∅0.43x0.91	-	2.64
EKM-712-F	15.16	7.01	3.54	2.87	SAE#24	4.07	-	-	2.99	1/2"NPT	1.73	0.71	5.0	∅0.43x0.91	-	2.64
EKM-714-F	17.17	9.02	3.54	2.87	SAE#24	4.07	-	-	2.99	1/2"NPT	1.73	0.71	5.0	∅0.43x0.91	-	2.64
EKM-718-F	21.14	12.99	3.54	2.87	SAE#24	4.07	-	-	2.99	1/2"NPT	1.73	0.71	5.0	∅0.43x0.91	-	2.64
EKM-724-F	27.17	19.02	3.54	2.87	SAE#24	4.07	-	-	2.99	1/2"NPT	1.73	0.71	5.0	∅0.43x0.91	-	2.64
EKM-736-F	39.13	30.98	3.54	2.87	SAE#24	4.07	-	-	2.99	1/2"NPT	1.73	0.71	5.0	∅0.43x0.91	-	2.64

All dimensions in inch



A - Medium to be cooled **B** - Cooled Medium **C** - Cooling water „inlet“ **D** - Cooling water „outlet“

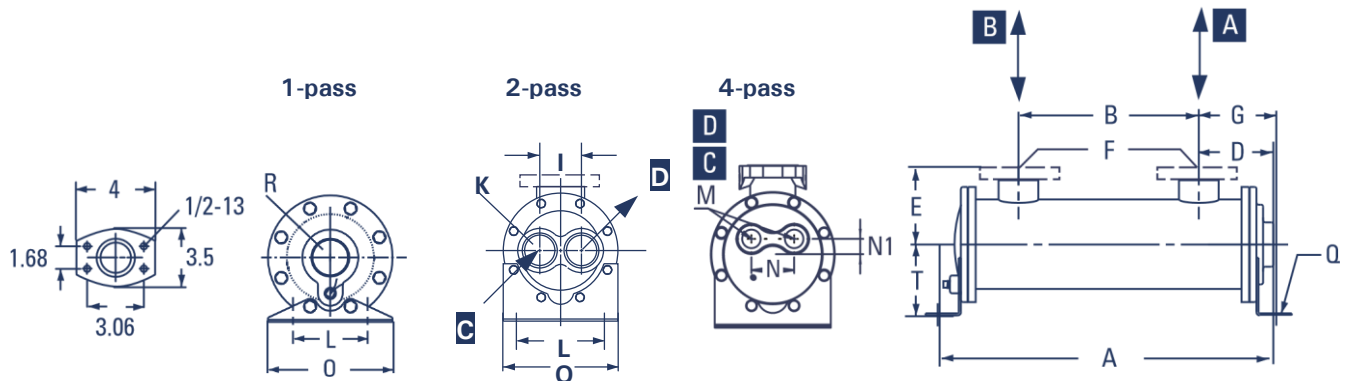


A - Medium to be cooled **B** - Cooled Medium **C** - Cooling water „inlet“ **D** - Cooling water „outlet“

Unit dimensions EKM-1000-Series

Typ	A	B	D	E	F	G	I	K	L	M	N	N1	O	Q	R	T
EKM-1012-O	15.63	6.18	4.59	3.62	SAE#24	4.72	-	-	4.02	-	-	-	6.50	ø0.43x0.98	1 1/2"NPT	4.06
EKM-1014-O	17.64	8.19	4.59	3.62	SAE#24	4.72	-	-	4.02	-	-	-	6.50	ø0.43x0.98	1 1/2"NPT	4.06
EKM-1018-O	21.61	12.17	4.59	3.62	SAE#24	4.72	-	-	4.02	-	-	-	6.50	ø0.43x0.98	1 1/2"NPT	4.06
EKM-1024-O	27.64	18.19	4.59	3.62	SAE#24	4.72	-	-	4.02	-	-	-	6.50	ø0.43x0.98	1 1/2"NPT	4.06
EKM-1036-O	39.61	30.16	4.59	3.62	SAE#24	4.72	-	-	4.02	-	-	-	6.50	ø0.43x0.98	1 1/2"NPT	4.06
EKM-1048-O	51.46	42.01	4.59	3.62	SAE#24	4.72	-	-	4.02	-	-	-	6.50	ø0.43x0.98	1 1/2"NPT	4.06
Typ	A	B	D	E	F	G	I	K	L	M	N	N1	O	Q	R	T
EKM-1012-T	15.63	6.18	4.47	3.62	SAE#24	4.72	2.36	1"NPT	4.02	-	-	-	6.50	ø0.43x0.98	-	4.06
EKM-1014-T	17.64	8.19	4.47	3.62	SAE#24	4.72	2.36	1"NPT	4.02	-	-	-	6.50	ø0.43x0.98	-	4.06
EKM-1018-T	21.61	12.17	4.47	3.62	SAE#24	4.72	2.36	1"NPT	4.02	-	-	-	6.50	ø0.43x0.98	-	4.06
EKM-1024-T	27.64	18.19	4.47	3.62	SAE#24	4.72	2.36	1"NPT	4.02	-	-	-	6.50	ø0.43x0.98	-	4.06
EKM-1036-T	39.61	30.16	4.47	3.62	SAE#24	4.72	2.36	1"NPT	4.02	-	-	-	6.50	ø0.43x0.98	-	4.06
EKM-1048-T	51.46	42.01	4.47	3.62	SAE#24	4.72	2.36	1"NPT	4.02	-	-	-	6.50	ø0.43x0.98	-	4.06
Typ	A	B	D	E	F	G	I	K	L	M	N	N1	O	Q	R	T
EKM-1012-F	15.59	6.18	4.53	3.62	SAE#24	4.72	-	-	4.02	3/4"NPT	2.48	0.87	6.50	ø0.43x0.98	-	4.06
EKM-1014-F	17.60	8.19	4.53	3.62	SAE#24	4.72	-	-	4.02	3/4"NPT	2.48	0.87	6.50	ø0.43x0.98	-	4.06
EKM-1018-F	21.57	12.17	4.53	3.62	SAE#24	4.72	-	-	4.02	3/4"NPT	2.48	0.87	6.50	ø0.43x0.98	-	4.06
EKM-1024-F	27.60	18.19	4.53	3.62	SAE#24	4.72	-	-	4.02	3/4"NPT	2.48	0.87	6.50	ø0.43x0.98	-	4.06
EKM-1036-F	39.57	30.16	4.53	3.62	SAE#24	4.72	-	-	4.02	3/4"NPT	2.48	0.87	6.50	ø0.43x0.98	-	4.06
EKM-1048-F	51.42	42.01	4.53	3.62	SAE#24	4.72	-	-	4.02	3/4"NPT	2.48	0.87	6.50	ø0.43x0.98	-	4.06

All dimensions in inch



A - Medium to be cooled

B - Cooled Medium

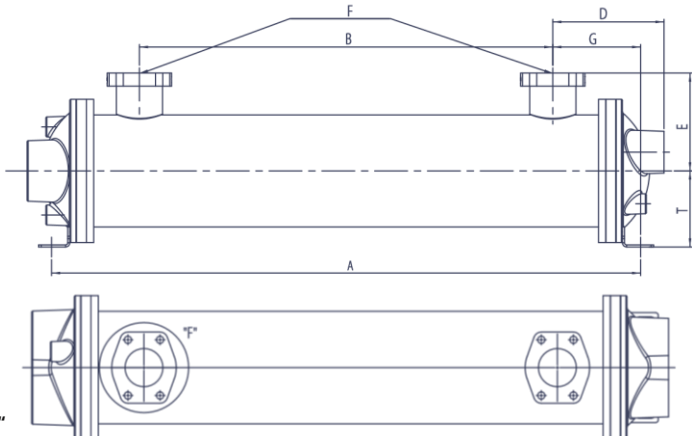
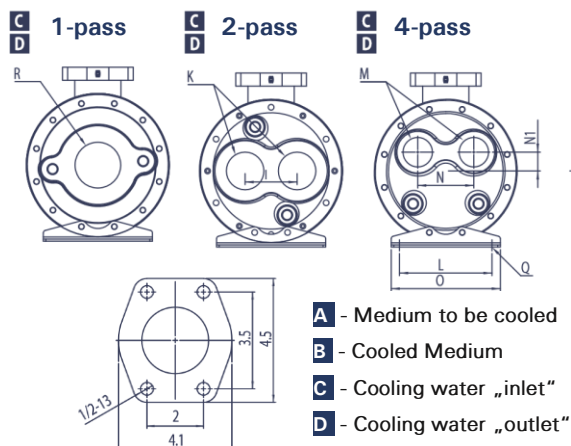
C - Cooling water „inlet“

D - Cooling water „outlet“

Unit dimensions EKM-1200-Series

Typ	A	B	D	E	F	G	I	K	L	M	N	N1	O	Q	R	T
EKM-1218-O	20.71	9.84	5.20	5.71	2*NPT	4.61	-	-	5.59	-	-	-	7.48	ø0.43x1.1	2*NPT	4.72
EKM-1224-O	26.69	15.83	5.20	5.71	2*NPT	4.61	-	-	5.59	-	-	-	7.48	ø0.43x1.1	2*NPT	4.72
EKM-1230-O	32.72	21.85	5.20	5.71	2*NPT	4.61	-	-	5.59	-	-	-	7.48	ø0.43x1.1	2*NPT	4.72
EKM-1236-O	38.7	27.83	5.20	5.71	2*NPT	4.61	-	-	5.59	-	-	-	7.48	ø0.43x1.1	2*NPT	4.72
EKM-1242-O	45.67	34.8	5.20	5.71	2*NPT	4.61	-	-	5.59	-	-	-	7.48	ø0.43x1.1	2*NPT	4.72
EKM-1248-O	50.71	39.84	5.20	5.71	2*NPT	4.61	-	-	5.59	-	-	-	7.48	ø0.43x1.1	2*NPT	4.72
EKM-1254-O	56.69	45.83	5.20	5.71	2*NPT	4.61	-	-	5.59	-	-	-	7.48	ø0.43x1.1	2*NPT	4.72
EKM-1260-O	62.68	51.81	5.20	5.71	2*NPT	4.61	-	-	5.59	-	-	-	7.48	ø0.43x1.1	2*NPT	4.72
EKM-1266-O	68.7	57.83	5.20	5.71	2*NPT	4.61	-	-	5.59	-	-	-	7.48	ø0.43x1.1	2*NPT	4.72
EKM-1272-O	74.69	63.82	5.20	5.71	2*NPT	4.61	-	-	5.59	-	-	-	7.48	ø0.43x1.1	2*NPT	4.72
EKM-1278-O	80.71	69.84	5.20	5.71	2*NPT	4.61	-	-	5.59	-	-	-	7.48	ø0.43x1.1	2*NPT	4.72
EKM-1284-O	86.69	75.83	5.20	5.71	2*NPT	4.61	-	-	5.59	-	-	-	7.48	ø0.43x1.1	2*NPT	4.72
Typ	A	B	D	E	F	G	I	K	L	M	N	N1	O	Q	R	T
EKM-1218-T	20.71	9.84	5.20	5.71	2*NPT	4.61	3.43	2*NPT	5.59	-	-	-	7.48	ø0.43x1.1	-	4.72
EKM-1224-T	26.69	15.83	5.20	5.71	2*NPT	4.61	3.43	2*NPT	5.59	-	-	-	7.48	ø0.43x1.1	-	4.72
EKM-1230-T	32.72	21.85	5.20	5.71	2*NPT	4.61	3.43	2*NPT	5.59	-	-	-	7.48	ø0.43x1.1	-	4.72
EKM-1236-T	38.7	27.83	5.20	5.71	2*NPT	4.61	3.43	2*NPT	5.59	-	-	-	7.48	ø0.43x1.1	-	4.72
EKM-1242-T	45.67	34.8	5.20	5.71	2*NPT	4.61	3.43	2*NPT	5.59	-	-	-	7.48	ø0.43x1.1	-	4.72
EKM-1248-T	50.71	39.84	5.20	5.71	2*NPT	4.61	3.43	2*NPT	5.59	-	-	-	7.48	ø0.43x1.1	-	4.72
EKM-1254-T	56.69	45.83	5.20	5.71	2*NPT	4.61	3.43	2*NPT	5.59	-	-	-	7.48	ø0.43x1.1	-	4.72
EKM-1260-T	62.68	51.81	5.20	5.71	2*NPT	4.61	3.43	2*NPT	5.59	-	-	-	7.48	ø0.43x1.1	-	4.72
EKM-1266-T	68.7	57.83	5.20	5.71	2*NPT	4.61	3.43	2*NPT	5.59	-	-	-	7.48	ø0.43x1.1	-	4.72
EKM-1272-T	74.69	63.82	5.20	5.71	2*NPT	4.61	3.43	2*NPT	5.59	-	-	-	7.48	ø0.43x1.1	-	4.72
EKM-1278-T	80.71	69.84	5.20	5.71	2*NPT	4.61	3.43	2*NPT	5.59	-	-	-	7.48	ø0.43x1.1	-	4.72
EKM-1284-T	86.69	75.83	5.20	5.71	2*NPT	4.61	3.43	2*NPT	5.59	-	-	-	7.48	ø0.43x1.1	-	4.72
Typ	A	B	D	E	F	G	I	K	L	M	N	N1	O	Q	R	T
EKM-1218-F	20.71	9.84	5.20	5.71	2*NPT	4.61	-	-	5.59	1*NPT	2.76	0.98	7.48	ø0.43x1.1	-	4.72
EKM-1224-F	26.69	15.83	5.20	5.71	2*NPT	4.61	-	-	5.59	1*NPT	2.76	0.98	7.48	ø0.43x1.1	-	4.72
EKM-1230-F	32.72	21.85	5.20	5.71	2*NPT	4.61	-	-	5.59	1*NPT	2.76	0.98	7.48	ø0.43x1.1	-	4.72
EKM-1236-F	38.7	27.83	5.20	5.71	2*NPT	4.61	-	-	5.59	1*NPT	2.76	0.98	7.48	ø0.43x1.1	-	4.72
EKM-1242-F	45.67	34.8	5.20	5.71	2*NPT	4.61	-	-	5.59	1*NPT	2.76	0.98	7.48	ø0.43x1.1	-	4.72
EKM-1248-F	50.71	39.84	5.20	5.71	2*NPT	4.61	-	-	5.59	1*NPT	2.76	0.98	7.48	ø0.43x1.1	-	4.72
EKM-1254-F	56.69	45.83	5.20	5.71	2*NPT	4.61	-	-	5.59	1*NPT	2.76	0.98	7.48	ø0.43x1.1	-	4.72
EKM-1260-F	62.68	51.81	5.20	5.71	2*NPT	4.61	-	-	5.59	1*NPT	2.76	0.98	7.48	ø0.43x1.1	-	4.72
EKM-1266-F	68.7	57.83	5.20	5.71	2*NPT	4.61	-	-	5.59	1*NPT	2.76	0.98	7.48	ø0.43x1.1	-	4.72
EKM-1272-F	74.69	63.82	5.20	5.71	2*NPT	4.61	-	-	5.59	1*NPT	2.76	0.98	7.48	ø0.43x1.1	-	4.72
EKM-1278-F	80.71	69.84	5.20	5.71	2*NPT	4.61	-	-	5.59	1*NPT	2.76	0.98	7.48	ø0.43x1.1	-	4.72
EKM-1284-F	86.69	75.83	5.20	5.71	2*NPT	4.61	-	-	5.59	1*NPT	2.76	0.98	7.48	ø0.43x1.1	-	4.72

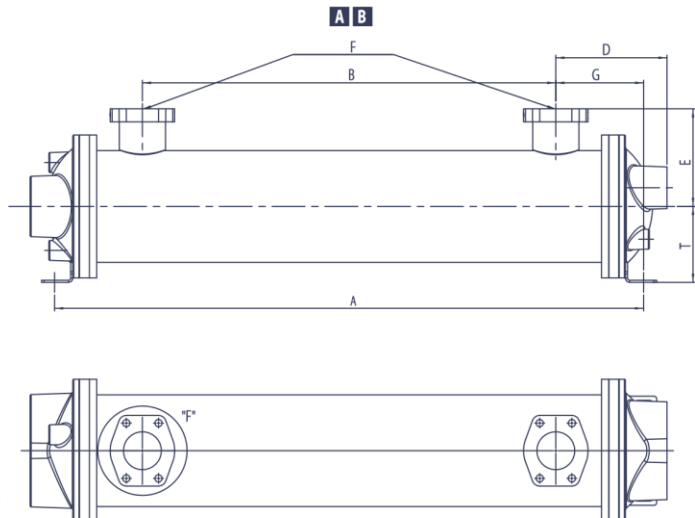
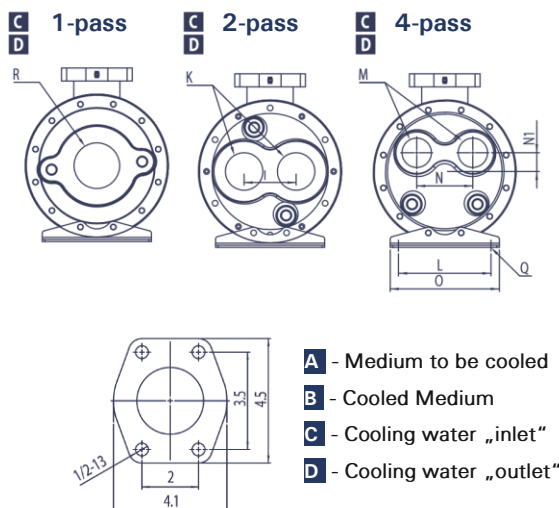
All dimensions in inch



Unit dimensions EKM-1400-Series

Typ	A	B	D	E	F	G	I	K	L	M	N	N1	O	Q	R	T
EKM-1424-O	27.72	16.14	6.14	6.26	21/2"NPT	5.79	-	-	5.51	-	-	-	8.27	ø0.43x1.85	2"NPT	5.12
EKM-1430-O	33.82	22.24	6.14	6.26	21/2"NPT	5.79	-	-	5.51	-	-	-	8.27	ø0.43x1.85	2"NPT	5.12
EKM-1436-O	39.92	28.35	6.14	6.26	21/2"NPT	5.79	-	-	5.51	-	-	-	8.27	ø0.43x1.85	2"NPT	5.12
EKM-1442-O	46.02	34.45	6.14	6.26	21/2"NPT	5.79	-	-	5.51	-	-	-	8.27	ø0.43x1.85	2"NPT	5.12
EKM-1448-O	52.13	40.55	6.14	6.26	21/2"NPT	5.79	-	-	5.51	-	-	-	8.27	ø0.43x1.85	2"NPT	5.12
EKM-1454-O	58.23	46.65	6.14	6.26	21/2"NPT	5.79	-	-	5.51	-	-	-	8.27	ø0.43x1.85	2"NPT	5.12
EKM-1460-O	64.33	52.76	6.14	6.26	21/2"NPT	5.79	-	-	5.51	-	-	-	8.27	ø0.43x1.85	2"NPT	5.12
EKM-1466-O	70.43	58.86	6.14	6.26	21/2"NPT	5.79	-	-	5.51	-	-	-	8.27	ø0.43x1.85	2"NPT	5.12
EKM-1472-O	76.54	64.96	6.14	6.26	21/2"NPT	5.79	-	-	5.51	-	-	-	8.27	ø0.43x1.85	2"NPT	5.12
EKM-1478-O	82.64	71.06	6.14	6.26	21/2"NPT	5.79	-	-	5.51	-	-	-	8.27	ø0.43x1.85	2"NPT	5.12
EKM-1484-O	88.74	77.17	6.14	6.26	21/2"NPT	5.79	-	-	5.51	-	-	-	8.27	ø0.43x1.85	2"NPT	5.12
Typ	A	B	D	E	F	G	I	K	L	M	N	N1	O	Q	R	T
EKM-1424-T	27.72	16.14	6.14	6.26	21/2"NPT	5.79	3.70	2"NPT	5.51	-	-	-	8.27	ø0.43x1.85	-	5.12
EKM-1430-T	33.82	22.24	6.14	6.26	21/2"NPT	5.79	3.70	2"NPT	5.51	-	-	-	8.27	ø0.43x1.85	-	5.12
EKM-1436-T	39.92	28.35	6.14	6.26	21/2"NPT	5.79	3.70	2"NPT	5.51	-	-	-	8.27	ø0.43x1.85	-	5.12
EKM-1442-T	46.02	34.45	6.14	6.26	21/2"NPT	5.79	3.70	2"NPT	5.51	-	-	-	8.27	ø0.43x1.85	-	5.12
EKM-1448-T	52.13	40.55	6.14	6.26	21/2"NPT	5.79	3.70	2"NPT	5.51	-	-	-	8.27	ø0.43x1.85	-	5.12
EKM-1454-T	58.23	46.65	6.14	6.26	21/2"NPT	5.79	3.70	2"NPT	5.51	-	-	-	8.27	ø0.43x1.85	-	5.12
EKM-1460-T	64.33	52.76	6.14	6.26	21/2"NPT	5.79	3.70	2"NPT	5.51	-	-	-	8.27	ø0.43x1.85	-	5.12
EKM-1466-T	70.43	58.86	6.14	6.26	21/2"NPT	5.79	3.70	2"NPT	5.51	-	-	-	8.27	ø0.43x1.85	-	5.12
EKM-1472-T	76.54	64.96	6.14	6.26	21/2"NPT	5.79	3.70	2"NPT	5.51	-	-	-	8.27	ø0.43x1.85	-	5.12
EKM-1478-T	82.64	71.06	6.14	6.26	21/2"NPT	5.79	3.70	2"NPT	5.51	-	-	-	8.27	ø0.43x1.85	-	5.12
EKM-1484-T	88.74	77.17	6.14	6.26	21/2"NPT	5.79	3.70	2"NPT	5.51	-	-	-	8.27	ø0.43x1.85	-	5.12
Typ	A	B	D	E	F	G	I	K	L	M	N	N1	O	Q	R	T
EKM-1424-F	27.72	16.14	6.14	6.26	21/2"NPT	5.79	-	-	5.51	11/2"NPT	3.15	1.42	8.27	ø0.43x1.85	-	5.12
EKM-1430-F	33.82	22.24	6.14	6.26	21/2"NPT	5.79	-	-	5.51	11/2"NPT	3.15	1.42	8.27	ø0.43x1.85	-	5.12
EKM-1436-F	39.92	28.35	6.14	6.26	21/2"NPT	5.79	-	-	5.51	11/2"NPT	3.15	1.42	8.27	ø0.43x1.85	-	5.12
EKM-1442-F	46.02	34.45	6.14	6.26	21/2"NPT	5.79	-	-	5.51	11/2"NPT	3.15	1.42	8.27	ø0.43x1.85	-	5.12
EKM-1448-F	52.13	40.55	6.14	6.26	21/2"NPT	5.79	-	-	5.51	11/2"NPT	3.15	1.42	8.27	ø0.43x1.85	-	5.12
EKM-1454-F	58.23	46.65	6.14	6.26	21/2"NPT	5.79	-	-	5.51	11/2"NPT	3.15	1.42	8.27	ø0.43x1.85	-	5.12
EKM-1460-F	64.33	52.76	6.14	6.26	21/2"NPT	5.79	-	-	5.51	11/2"NPT	3.15	1.42	8.27	ø0.43x1.85	-	5.12
EKM-1466-F	70.43	58.86	6.14	6.26	21/2"NPT	5.79	-	-	5.51	11/2"NPT	3.15	1.42	8.27	ø0.43x1.85	-	5.12
EKM-1472-F	76.54	64.96	6.14	6.26	21/2"NPT	5.79	-	-	5.51	11/2"NPT	3.15	1.42	8.27	ø0.43x1.85	-	5.12
EKM-1478-F	82.64	71.06	6.14	6.26	21/2"NPT	5.79	-	-	5.51	11/2"NPT	3.15	1.42	8.27	ø0.43x1.85	-	5.12
EKM-1484-F	88.74	77.17	6.14	6.26	21/2"NPT	5.79	-	-	5.51	11/2"NPT	3.15	1.42	8.27	ø0.43x1.85	-	5.12

All dimensions in inch

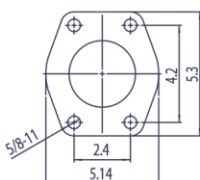
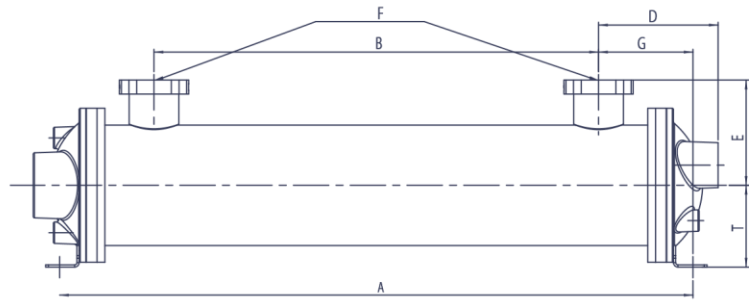
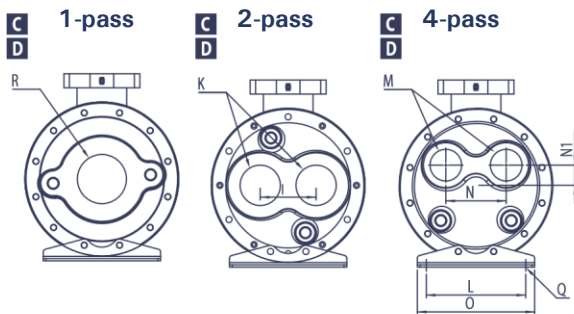


Unit dimensions EKM-1700-Series

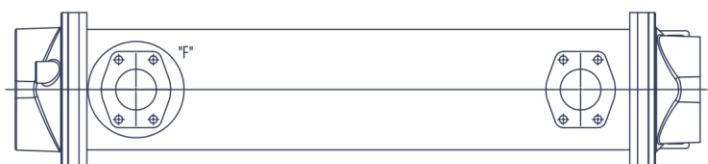
Typ	A	B	D	E	F	G	I	K	L	M	N	N1	O	Q	R	T
EKM-1724-O	27.80	14.49	7.40	7.40	3*NPT	6.65	-	-	7.01	-	-	-	8.27	ø0.62x1.50	3*NPT	5.75
EKM-1730-O	33.82	20.51	7.40	7.40	3*NPT	6.65	-	-	7.01	-	-	-	8.27	ø0.62x1.50	3*NPT	5.75
EKM-1736-O	39.80	26.50	7.40	7.40	3*NPT	6.65	-	-	7.01	-	-	-	8.27	ø0.62x1.50	3*NPT	5.75
EKM-1742-O	45.83	32.52	7.40	7.40	3*NPT	6.65	-	-	7.01	-	-	-	8.27	ø0.62x1.50	3*NPT	5.75
EKM-1748-O	51.81	38.50	7.40	7.40	3*NPT	6.65	-	-	7.01	-	-	-	8.27	ø0.62x1.50	3*NPT	5.75
EKM-1754-O	57.80	44.49	7.40	7.40	3*NPT	6.65	-	-	7.01	-	-	-	8.27	ø0.62x1.50	3*NPT	5.75
EKM-1760-O	63.82	50.51	7.40	7.40	3*NPT	6.65	-	-	7.01	-	-	-	8.27	ø0.62x1.50	3*NPT	5.75
EKM-1766-O	69.80	56.50	7.40	7.40	3*NPT	6.65	-	-	7.01	-	-	-	8.27	ø0.62x1.50	3*NPT	5.75
EKM-1772-O	75.79	62.48	7.40	7.40	3*NPT	6.65	-	-	7.01	-	-	-	8.27	ø0.62x1.50	3*NPT	5.75
EKM-1778-O	81.81	68.50	7.40	7.40	3*NPT	6.65	-	-	7.01	-	-	-	8.27	ø0.62x1.50	3*NPT	5.75
EKM-1784-O	87.80	74.53	7.40	7.40	3*NPT	6.65	-	-	7.01	-	-	-	8.27	ø0.62x1.50	3*NPT	5.75
Typ	A	B	D	E	F	G	I	K	L	M	N	N1	O	Q	R	T
EKM-1724-T	27.80	14.49	8.43	7.40	3*NPT	6.65	3.94	2*NPT	7.01	-	-	-	8.27	ø0.62x1.50	-	5.75
EKM-1730-T	33.82	20.51	8.43	7.40	3*NPT	6.65	3.94	2*NPT	7.01	-	-	-	8.27	ø0.62x1.50	-	5.75
EKM-1736-T	39.80	26.50	8.43	7.40	3*NPT	6.65	3.94	2*NPT	7.01	-	-	-	8.27	ø0.62x1.50	-	5.75
EKM-1742-T	45.83	32.52	8.43	7.40	3*NPT	6.65	3.94	2*NPT	7.01	-	-	-	8.27	ø0.62x1.50	-	5.75
EKM-1748-T	51.81	38.50	8.43	7.40	3*NPT	6.65	3.94	2*NPT	7.01	-	-	-	8.27	ø0.62x1.50	-	5.75
EKM-1754-T	57.80	44.49	8.43	7.40	3*NPT	6.65	3.94	2*NPT	7.01	-	-	-	8.27	ø0.62x1.50	-	5.75
EKM-1760-T	63.82	50.51	8.43	7.40	3*NPT	6.65	3.94	2*NPT	7.01	-	-	-	8.27	ø0.62x1.50	-	5.75
EKM-1766-T	69.80	56.50	8.43	7.40	3*NPT	6.65	3.94	2*NPT	7.01	-	-	-	8.27	ø0.62x1.50	-	5.75
EKM-1772-T	75.79	62.48	8.43	7.40	3*NPT	6.65	3.94	2*NPT	7.01	-	-	-	8.27	ø0.62x1.50	-	5.75
EKM-1778-T	81.81	68.50	8.43	7.40	3*NPT	6.65	3.94	2*NPT	7.01	-	-	-	8.27	ø0.62x1.50	-	5.75
EKM-1784-T	87.80	74.53	8.43	7.40	3*NPT	6.65	3.94	2*NPT	7.01	-	-	-	8.27	ø0.62x1.50	-	5.75
Typ	A	B	D	E	F	G	I	K	L	M	N	N1	O	Q	R	T
EKM-1724-F	27.80	14.49	8.43	7.40	3*NPT	6.65	-	-	7.01	2*NPT	4.25	1.42	8.27	ø0.62x1.50	-	5.75
EKM-1730-F	33.82	20.51	8.43	7.40	3*NPT	6.65	-	-	7.01	2*NPT	4.25	1.42	8.27	ø0.62x1.50	-	5.75
EKM-1736-F	39.80	26.50	8.43	7.40	3*NPT	6.65	-	-	7.01	2*NPT	4.25	1.42	8.27	ø0.62x1.50	-	5.75
EKM-1742-F	45.83	32.52	8.43	7.40	3*NPT	6.65	-	-	7.01	2*NPT	4.25	1.42	8.27	ø0.62x1.50	-	5.75
EKM-1748-F	51.81	38.50	8.43	7.40	3*NPT	6.65	-	-	7.01	2*NPT	4.25	1.42	8.27	ø0.62x1.50	-	5.75
EKM-1754-F	57.80	44.49	8.43	7.40	3*NPT	6.65	-	-	7.01	2*NPT	4.25	1.42	8.27	ø0.62x1.50	-	5.75
EKM-1760-F	63.82	50.51	8.43	7.40	3*NPT	6.65	-	-	7.01	2*NPT	4.25	1.42	8.27	ø0.62x1.50	-	5.75
EKM-1766-F	69.80	56.50	8.43	7.40	3*NPT	6.65	-	-	7.01	2*NPT	4.25	1.42	8.27	ø0.62x1.50	-	5.75
EKM-1772-F	75.79	62.48	8.43	7.40	3*NPT	6.65	-	-	7.01	2*NPT	4.25	1.42	8.27	ø0.62x1.50	-	5.75
EKM-1778-F	81.81	68.50	8.43	7.40	3*NPT	6.65	-	-	7.01	2*NPT	4.25	1.42	8.27	ø0.62x1.50	-	5.75
EKM-1784-F	87.80	74.53	8.43	7.40	3*NPT	6.65	-	-	7.01	2*NPT	4.25	1.42	8.27	ø0.62x1.50	-	5.75

All dimensions in inch

A B



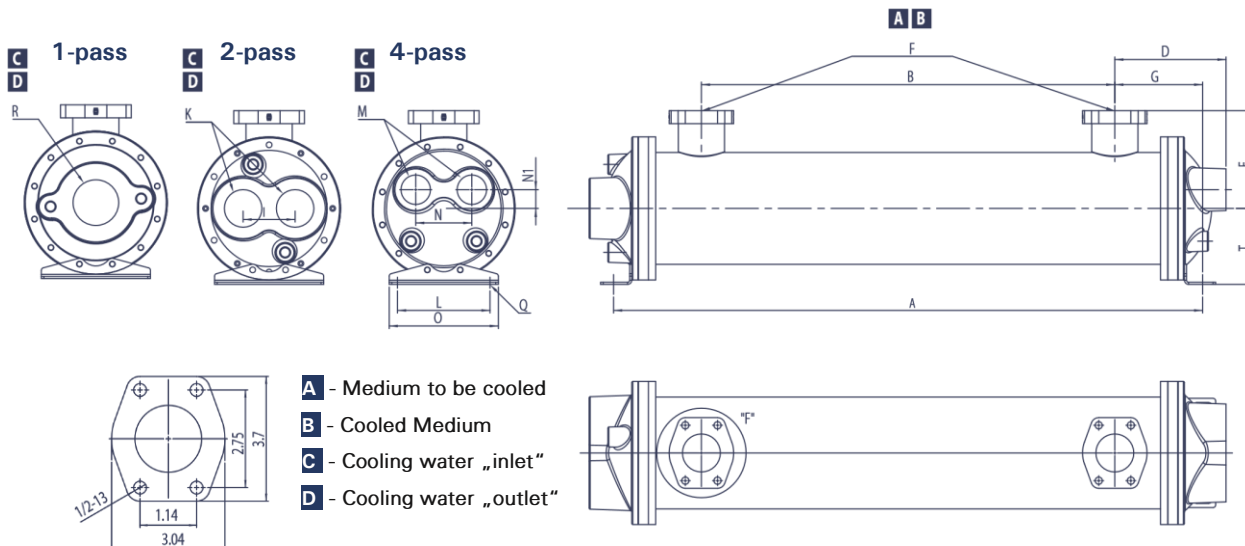
- A** - Medium to be cooled
- B** - Cooled Medium
- C** - Cooling water „inlet“
- D** - Cooling water „outlet“



Unit dimensions SCM-1000-Series

Typ	A	B	D	E	F	G	I	K	L	M	N	N1	O	Q	R	T
SCM-1012-O	15.61	6.18	4.59	3.62	2*NPT	4.71	-	-	4.02	-	-	-	6.50	ø0.43x0.098	11/2*NPT	4.06
SCM-1014-O	17.62	8.19	4.59	3.62	2*NPT	4.71	-	-	4.02	-	-	-	6.50	ø0.43x0.098	11/2*NPT	4.06
SCM-1018-O	21.59	12.17	4.59	3.62	2*NPT	4.71	-	-	4.02	-	-	-	6.50	ø0.43x0.098	11/2*NPT	4.06
SCM-1024-O	27.62	18.19	4.59	3.62	2*NPT	4.71	-	-	4.02	-	-	-	6.50	ø0.43x0.098	11/2*NPT	4.06
SCM-1036-O	39.59	30.16	4.59	3.62	2*NPT	4.71	-	-	4.02	-	-	-	6.50	ø0.43x0.098	11/2*NPT	4.06
SCM-1048-O	51.44	42.01	4.59	3.74	2*NPT	4.71	-	-	4.02	-	-	-	6.50	ø0.43x0.098	11/2*NPT	4.06
SCM-1060-O	63.44	54.02	4.59	3.62	2*NPT	4.71	-	-	4.02	-	-	-	6.50	ø0.43x0.098	11/2*NPT	4.06
SCM-1078-O	81.44	72.01	4.59	3.62	2*NPT	4.71	-	-	4.02	-	-	-	6.50	ø0.43x0.098	11/2*NPT	4.06
Typ	A	B	D	E	F	G	I	K	L	M	N	N1	O	Q	R	T
SCM-1012-T	15.61	6.18	4.47	3.62	2*NPT	4.71	2.36	1*NPT	4.02	-	-	-	6.50	ø0.43x0.098	-	4.06
SCM-1014-T	17.62	8.19	4.47	3.62	2*NPT	4.71	2.36	1*NPT	4.02	-	-	-	6.50	ø0.43x0.098	-	4.06
SCM-1018-T	21.59	12.17	4.47	3.62	2*NPT	4.71	2.36	1*NPT	4.02	-	-	-	6.50	ø0.43x0.098	-	4.06
SCM-1024-T	27.62	18.19	4.47	3.62	2*NPT	4.71	2.36	1*NPT	4.02	-	-	-	6.50	ø0.43x0.098	-	4.06
SCM-1036-T	39.59	30.16	4.47	3.62	2*NPT	4.71	2.36	1*NPT	4.02	-	-	-	6.50	ø0.43x0.098	-	4.06
SCM-1048-T	51.44	42.01	4.47	3.62	2*NPT	4.71	2.36	1*NPT	4.02	-	-	-	6.50	ø0.43x0.098	-	4.06
SCM-1060-T	63.44	54.02	4.47	3.62	2*NPT	4.71	2.36	1*NPT	4.02	-	-	-	6.50	ø0.43x0.098	-	4.06
SCM-1078-T	81.44	72.05	4.47	3.62	2*NPT	4.69	2.36	1*NPT	4.02	-	-	-	6.50	ø0.43x0.098	-	4.06
Typ	A	B	D	E	F	G	I	K	L	M	N	N1	O	Q	R	T
SCM-1012-F	15.61	6.18	4.47	3.62	2*NPT	4.71	-	-	4.02	G3/4"	2.48	0.87	6.50	ø0.43x0.098	-	4.06
SCM-1014-F	17.62	8.19	4.47	3.62	2*NPT	4.71	-	-	4.02	G3/4"	2.48	0.87	6.50	ø0.43x0.098	-	4.06
SCM-1018-F	21.59	12.17	4.47	3.62	2*NPT	4.71	-	-	4.02	G3/4"	2.48	0.87	6.50	ø0.43x0.098	-	4.06
SCM-1024-F	27.62	18.19	4.47	3.62	2*NPT	4.71	-	-	4.02	G3/4"	2.48	0.87	6.50	ø0.43x0.098	-	4.06
SCM-1036-F	39.59	30.16	4.47	3.62	2*NPT	4.71	-	-	4.02	G3/4"	2.48	0.87	6.50	ø0.43x0.098	-	4.06
SCM-1048-F	51.44	42.01	4.47	3.62	2*NPT	4.71	-	-	4.02	G3/4"	2.48	0.87	6.50	ø0.43x0.098	-	4.06
SCM-1060-F	63.44	54.02	4.47	3.62	2*NPT	4.71	-	-	4.02	G3/4"	2.48	0.87	6.50	ø0.43x0.098	-	4.06
SCM-1078-F	81.44	72.05	4.47	3.62	2*NPT	4.69	-	-	4.02	G3/4"	2.48	0.87	6.50	ø0.43x0.098	-	4.06

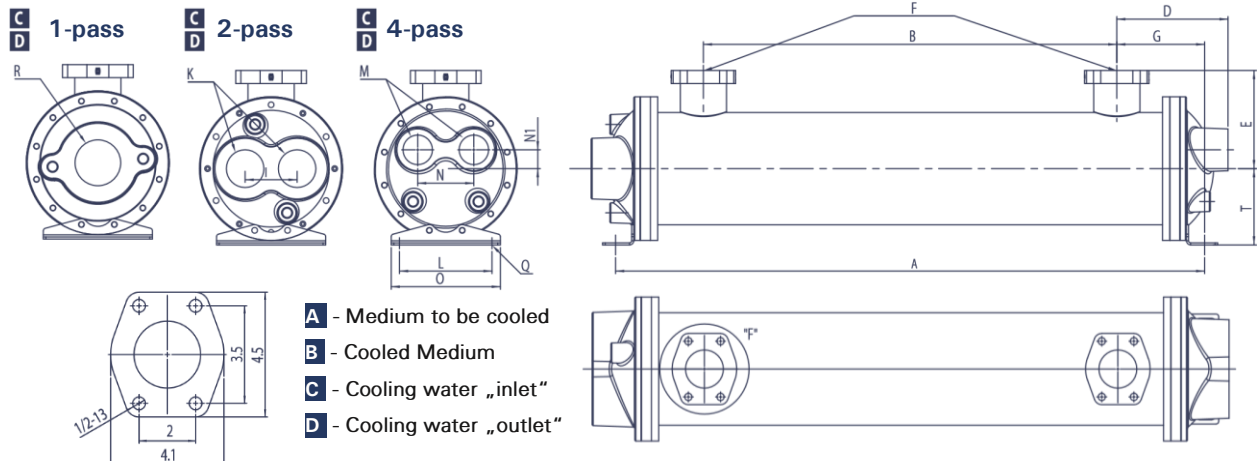
All dimensions in inch



Unit dimensions SCM-1200-Serie

Typ	A	B	D	E	F	G	I	K	L	M	N	N1	O	Q	R	T
SCM-1218-O	22.05	12.99	4.47	5.71	2*NPT	4.53	-	-	5.00	-	-	-	6.26	ø0.53x1.08	2*NPT	4.49
SCM-1224-O	28.03	18.98	4.47	5.71	2*NPT	4.53	-	-	5.00	-	-	-	6.26	ø0.53x1.08	2*NPT	4.49
SCM-1230-O	32.17	23.11	4.47	5.71	2*NPT	4.53	-	-	5.00	-	-	-	6.26	ø0.53x1.08	2*NPT	4.49
SCM-1236-O	39.29	30.24	4.47	5.71	2*NPT	4.53	-	-	5.00	-	-	-	6.26	ø0.53x1.08	2*NPT	4.49
SCM-1242-O	45.28	36.22	4.47	5.71	2*NPT	4.53	-	-	5.00	-	-	-	6.26	ø0.53x1.08	2*NPT	4.49
SCM-1248-O	51.30	42.24	4.47	5.71	2*NPT	4.53	-	-	5.00	-	-	-	6.26	ø0.53x1.08	2*NPT	4.49
SCM-1254-O	57.24	48.19	4.47	5.71	2*NPT	4.53	-	-	5.00	-	-	-	6.26	ø0.53x1.08	2*NPT	4.49
SCM-1260-O	63.19	54.13	4.47	5.71	2*NPT	4.53	-	-	5.00	-	-	-	6.26	ø0.53x1.08	2*NPT	4.49
SCM-1266-O	69.17	60.12	4.47	5.71	2*NPT	4.53	-	-	5.00	-	-	-	6.26	ø0.53x1.08	2*NPT	4.49
SCM-1272-O	75.20	66.14	4.47	5.71	2*NPT	4.53	-	-	5.00	-	-	-	6.26	ø0.53x1.08	2*NPT	4.49
SCM-1278-O	81.22	72.17	4.47	5.71	2*NPT	4.53	-	-	5.00	-	-	-	6.26	ø0.53x1.08	2*NPT	4.49
SCM-1284-O	87.24	78.19	4.47	5.71	2*NPT	4.53	-	-	5.00	-	-	-	6.26	ø0.53x1.08	2*NPT	4.49
Typ	A	B	D	E	F	G	I	K	L	M	N	N1	O	Q	R	T
SCM-1218-T	22.05	12.99	5.26	5.71+5.51	2*NPT	4.53	3.15	2*NPT	5.00	-	-	-	6.26	ø0.53x1.08	-	4.49
SCM-1224-T	28.03	18.98	5.26	5.71+5.51	2*NPT	4.53	3.43	2*NPT	5.00	-	-	-	6.26	ø0.53x1.08	-	4.49
SCM-1230-T	32.24	23.19	5.26	5.71+5.51	2*NPT	4.53	3.43	2*NPT	5.00	-	-	-	6.26	ø0.53x1.08	-	4.49
SCM-1236-T	39.29	30.24	5.26	5.71+5.51	2*NPT	4.53	3.43	2*NPT	5.00	-	-	-	6.26	ø0.53x1.08	-	4.49
SCM-1242-T	45.28	36.22	5.26	5.71+5.51	2*NPT	4.53	3.43	2*NPT	5.00	-	-	-	6.26	ø0.53x1.08	-	4.49
SCM-1248-T	51.30	42.24	5.26	5.71+5.51	2*NPT	4.53	3.43	2*NPT	5.00	-	-	-	6.26	ø0.53x1.08	-	4.49
SCM-1254-T	57.24	48.19	5.26	5.71+5.51	2*NPT	4.53	3.43	2*NPT	5.00	-	-	-	6.26	ø0.53x1.08	-	4.49
SCM-1260-T	63.23	54.17	5.26	5.71+5.51	2*NPT	4.53	3.43	2*NPT	5.00	-	-	-	6.26	ø0.53x1.08	-	4.49
SCM-1266-T	69.17	60.12	5.26	5.71+5.51	2*NPT	4.53	3.43	2*NPT	5.00	-	-	-	6.26	ø0.53x1.08	-	4.49
SCM-1272-T	75.20	66.14	5.26	5.71+5.51	2*NPT	4.53	3.43	2*NPT	5.00	-	-	-	6.26	ø0.53x1.08	-	4.49
SCM-1278-T	81.22	72.17	5.26	5.71+5.51	2*NPT	4.53	3.43	2*NPT	5.00	-	-	-	6.26	ø0.53x1.08	-	4.49
SCM-1284-T	87.20	78.15	5.26	5.71+5.51	2*NPT	4.53	3.43	2*NPT	5.00	-	-	-	6.26	ø0.53x1.08	-	4.49
Typ	A	B	D	E	F	G	I	K	L	M	N	N1	O	Q	R	T
SCM-1218-F	22.05	12.99	4.47	5.71+5.51	2*NPT	4.53	-	-	5.00	1*NPT	2.76	0.98	6.26	ø0.53x1.08	-	4.49
SCM-1224-F	28.03	18.98	4.47	5.71+5.51	2*NPT	4.53	-	-	5.00	1*NPT	2.76	0.98	6.26	ø0.53x1.08	-	4.49
SCM-1230-F	32.24	23.19	4.47	5.71+5.51	2*NPT	4.53	-	-	5.00	1*NPT	2.76	0.98	6.26	ø0.53x1.08	-	4.49
SCM-1236-F	39.29	30.24	4.47	5.71+5.51	2*NPT	4.53	-	-	5.00	1*NPT	2.76	0.98	6.26	ø0.53x1.08	-	4.49
SCM-1242-F	45.28	36.22	4.47	5.71+5.51	2*NPT	4.53	-	-	5.00	1*NPT	2.76	0.98	6.26	ø0.53x1.08	-	4.49
SCM-1248-F	51.30	42.24	4.47	5.71+5.51	2*NPT	4.53	-	-	5.00	1*NPT	2.76	0.98	6.26	ø0.53x1.08	-	4.49
SCM-1254-F	57.24	48.19	4.47	5.71+5.51	2*NPT	4.53	-	-	5.00	1*NPT	2.76	0.98	6.26	ø0.53x1.08	-	4.49
SCM-1260-F	63.23	54.17	4.47	5.71+5.51	2*NPT	4.53	-	-	5.00	1*NPT	2.76	0.98	6.26	ø0.53x1.08	-	4.49
SCM-1266-F	69.17	60.12	4.47	5.71+5.51	2*NPT	4.53	-	-	5.00	1*NPT	2.76	0.98	6.26	ø0.53x1.08	-	4.49
SCM-1272-F	75.20	66.14	4.47	5.71+5.51	2*NPT	4.53	-	-	5.00	1*NPT	2.76	0.98	6.26	ø0.53x1.08	-	4.49
SCM-1278-F	81.22	72.17	4.47	5.71+5.51	2*NPT	4.53	-	-	5.00	1*NPT	2.76	0.98	6.26	ø0.53x1.08	-	4.49
SCM-1284-F	87.20	78.15	4.47	5.71+5.51	2*NPT	4.53	-	-	5.00	1*NPT	2.76	0.98	6.26	ø0.53x1.08	-	4.49

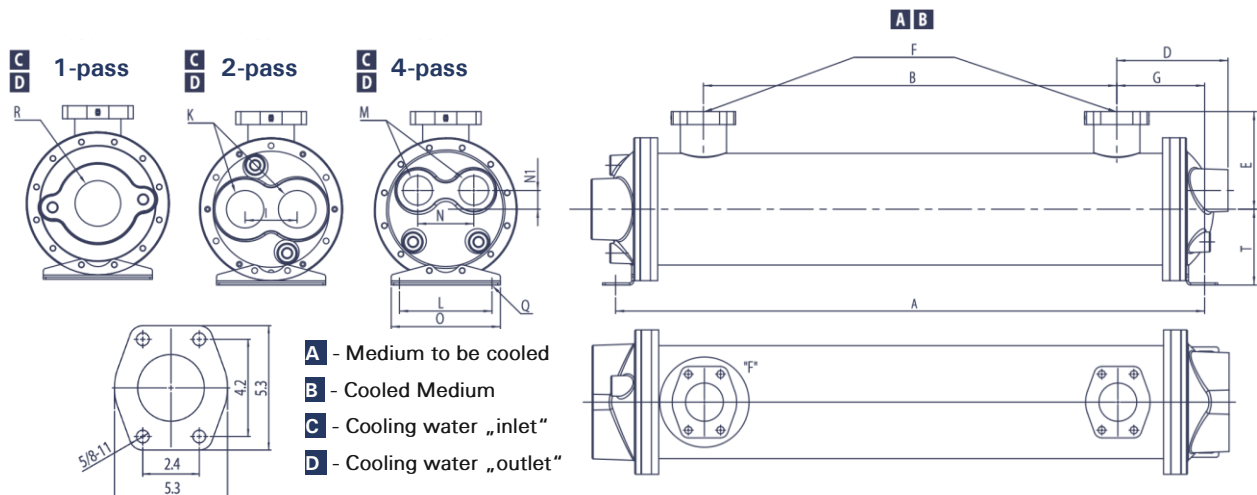
All dimensions in inch



Unit dimensions SCM-1700-Series

Typ	A	B	D	E	F	G	I	K	L	M	N	N1	O	Q	R	T
SCM-1724-O	27.80	14.49	7.40	7.40	3*NPT	6.65	-	-	7.01	-	-	-	8.27	ø0.63x1.50	3*NPT	5.75
SCM-1730-O	33.82	20.51	7.40	7.40	3*NPT	6.65	-	-	7.01	-	-	-	8.27	ø0.63x1.50	3*NPT	5.75
SCM-1736-O	39.80	26.50	7.40	7.40	3*NPT	6.65	-	-	7.01	-	-	-	8.27	ø0.63x1.50	3*NPT	5.75
SCM-1742-O	45.83	32.52	7.40	7.40	3*NPT	6.65	-	-	7.01	-	-	-	8.27	ø0.63x1.50	3*NPT	5.75
SCM-1748-O	51.81	38.50	7.40	7.40	3*NPT	6.65	-	-	7.01	-	-	-	8.27	ø0.63x1.50	3*NPT	5.75
SCM-1754-O	57.80	44.49	7.40	7.40	3*NPT	6.65	-	-	7.01	-	-	-	8.27	ø0.63x1.50	3*NPT	5.75
SCM-1760-O	63.82	50.51	7.40	7.40	3*NPT	6.65	-	-	7.01	-	-	-	8.27	ø0.63x1.50	3*NPT	5.75
SCM-1766-O	69.80	56.50	7.40	7.40	3*NPT	6.65	-	-	7.01	-	-	-	8.27	ø0.63x1.50	3*NPT	5.75
SCM-1772-O	75.79	62.48	7.40	7.40	3*NPT	6.65	-	-	7.01	-	-	-	8.27	ø0.63x1.50	3*NPT	5.75
SCM-1778-O	81.81	68.50	7.40	7.40	3*NPT	6.65	-	-	7.01	-	-	-	8.27	ø0.63x1.50	3*NPT	5.75
SCM-1784-O	87.80	74.49	7.40	7.40	3*NPT	6.65	-	-	7.01	-	-	-	8.27	ø0.63x1.50	3*NPT	5.75
Typ	A	B	D	E	F	G	I	K	L	M	N	N1	O	Q	R	T
SCM-1724-T	27.80	14.49	8.43	7.40	3*NPT	6.65	3.94	2*NPT	7.01	-	-	-	8.27	ø0.63x1.50	-	5.75
SCM-1730-T	33.82	20.51	8.43	7.40	3*NPT	6.65	3.94	2*NPT	7.01	-	-	-	8.27	ø0.63x1.50	-	5.75
SCM-1736-T	39.80	26.50	8.43	7.40	3*NPT	6.65	3.94	2*NPT	7.01	-	-	-	8.27	ø0.63x1.50	-	5.75
SCM-1742-T	45.83	32.52	8.43	7.40	3*NPT	6.65	3.94	2*NPT	7.01	-	-	-	8.27	ø0.63x1.50	-	5.75
SCM-1748-T	51.81	38.50	8.43	7.40	3*NPT	6.65	3.94	2*NPT	7.01	-	-	-	8.27	ø0.63x1.50	-	5.75
SCM-1754-T	57.80	44.49	8.43	7.40	3*NPT	6.65	3.94	2*NPT	7.01	-	-	-	8.27	ø0.63x1.50	-	5.75
SCM-1760-T	63.82	50.51	8.43	7.40	3*NPT	6.65	3.94	2*NPT	7.01	-	-	-	8.27	ø0.63x1.50	-	5.75
SCM-1766-T	69.80	56.50	8.43	7.40	3*NPT	6.65	3.94	2*NPT	7.01	-	-	-	8.27	ø0.63x1.50	-	5.75
SCM-1772-T	75.79	62.48	8.43	7.40	3*NPT	6.65	3.94	2*NPT	7.01	-	-	-	8.27	ø0.63x1.50	-	5.75
SCM-1778-T	81.81	68.50	8.43	7.40	3*NPT	6.65	3.94	2*NPT	7.01	-	-	-	8.27	ø0.63x1.50	-	5.75
SCM-1784-T	87.80	74.49	8.43	7.40	3*NPT	6.65	3.94	2*NPT	7.01	-	-	-	8.27	ø0.63x1.50	-	5.75
Typ	A	B	D	E	F	G	I	K	L	M	N	N1	O	Q	R	T
SCM-1724-F	27.80	14.49	8.43	7.40	3*NPT	6.65	-	-	7.01	2*NPT	4.25	1.42	8.27	ø0.63x1.50	-	5.75
SCM-1730-F	33.82	20.51	8.43	7.40	3*NPT	6.65	-	-	7.01	2*NPT	4.25	1.42	8.27	ø0.63x1.50	-	5.75
SCM-1736-F	39.80	26.50	8.43	7.40	3*NPT	6.65	-	-	7.01	2*NPT	4.25	1.42	8.27	ø0.63x1.50	-	5.75
SCM-1742-F	45.83	32.52	8.43	7.40	3*NPT	6.65	-	-	7.01	2*NPT	4.25	1.42	8.27	ø0.63x1.50	-	5.75
SCM-1748-F	51.81	38.50	8.43	7.40	3*NPT	6.65	-	-	7.01	2*NPT	4.25	1.42	8.27	ø0.63x1.50	-	5.75
SCM-1754-F	57.80	44.49	8.43	7.40	3*NPT	6.65	-	-	7.01	2*NPT	4.25	1.42	8.27	ø0.63x1.50	-	5.75
SCM-1760-F	63.82	50.51	8.43	7.40	3*NPT	6.65	-	-	7.01	2*NPT	4.25	1.42	8.27	ø0.63x1.50	-	5.75
SCM-1766-F	69.80	56.50	8.43	7.40	3*NPT	6.65	-	-	7.01	2*NPT	4.25	1.42	8.27	ø0.63x1.50	-	5.75
SCM-1772-F	75.79	62.48	8.43	7.40	3*NPT	6.65	-	-	7.01	2*NPT	4.25	1.42	8.27	ø0.63x1.50	-	5.75
SCM-1778-F	81.81	68.50	8.43	7.40	3*NPT	6.65	-	-	7.01	2*NPT	4.25	1.42	8.27	ø0.63x1.50	-	5.75
SCM-1784-F	87.80	74.49	8.43	7.40	3*NPT	6.65	-	-	7.01	2*NPT	4.25	1.42	8.27	ø0.63x1.50	-	5.75

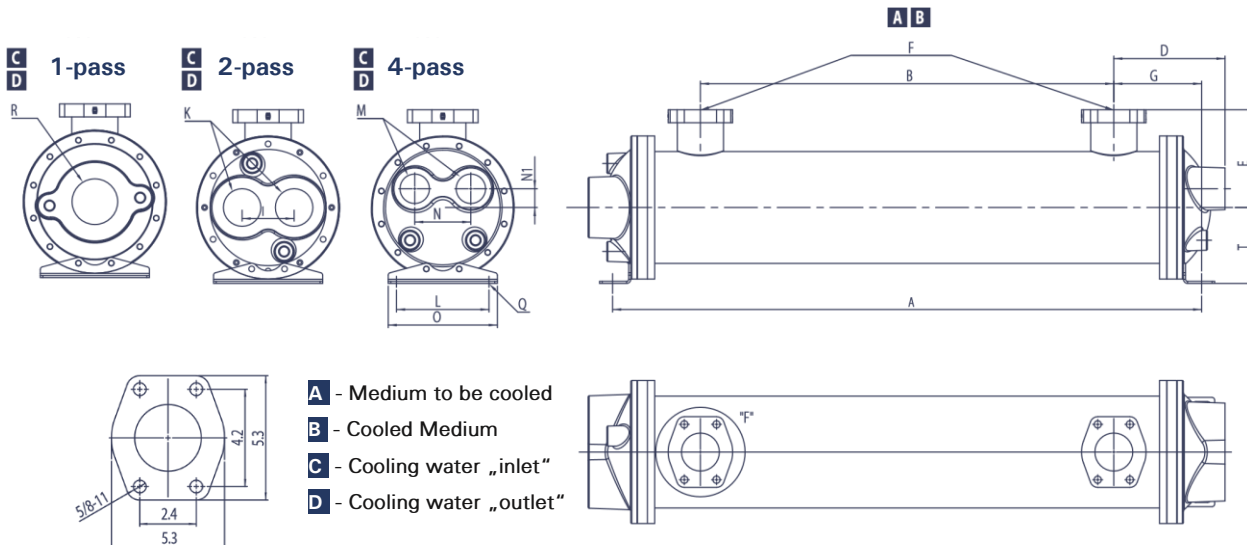
All dimensions in inch



Unit dimensions SCM-2400-Series

Typ	A	B	D	E	F	G	I	K	L	M	N	N1	O	Q	R	T
SCM-2436-O	variable	26.50	variable	10.94	5*NPT	-	-	-	13.86	-	-	-	15.75	ø0.87	5*NPT	12.56
SCM-2448-O	variable	38.50	variable	10.94	5*NPT	-	-	-	13.86	-	-	-	15.75	ø0.87	5*NPT	12.56
SCM-2460-O	variable	50.51	variable	10.94	5*NPT	-	-	-	13.86	-	-	-	15.75	ø0.87	5*NPT	12.56
SCM-2472-O	variable	75.79	variable	10.94	5*NPT	-	-	-	13.86	-	-	-	15.75	ø0.87	5*NPT	12.56
SCM-2484-O	variable	87.80	variable	10.94	5*NPT	-	-	-	13.86	-	-	-	15.75	ø0.87	5*NPT	12.56
Typ	A	B	D	E	F	G	I	K	L	M	N	N1	O	Q	R	T
SCM-2436-T	variable	26.50	variable	10.94	5*NPT	-	6.50	4*NPT	13.86	-	-	-	15.75	ø0.87	-	12.56
SCM-2448-T	variable	38.50	variable	10.94	5*NPT	-	6.50	4*NPT	13.86	-	-	-	15.75	ø0.87	-	12.56
SCM-2460-T	variable	50.51	variable	10.94	5*NPT	-	6.50	4*NPT	13.86	-	-	-	15.75	ø0.87	-	12.56
SCM-2472-T	variable	75.79	variable	10.94	5*NPT	-	6.50	4*NPT	13.86	-	-	-	15.75	ø0.87	-	12.56
SCM-2484-T	variable	87.80	variable	10.94	5*NPT	-	6.50	4*NPT	13.86	-	-	-	15.75	ø0.87	-	12.56
Typ	A	B	D	E	F	G	I	K	L	M	N	N1	O	Q	R	T
SCM-2436-F	variable	26.50	variable	10.94	5*NPT	-	-	-	13.86	3*NPT	5.71	2.17	15.75	ø0.87	-	12.56
SCM-2448-F	variable	38.50	variable	10.94	5*NPT	-	-	-	13.86	3*NPT	5.71	2.17	15.75	ø0.87	-	12.56
SCM-2460-F	variable	50.51	variable	10.94	5*NPT	-	-	-	13.86	3*NPT	5.71	2.17	15.75	ø0.87	-	12.56
SCM-2472-F	variable	75.79	variable	10.94	5*NPT	-	-	-	13.86	3*NPT	5.71	2.17	15.75	ø0.87	-	12.56
SCM-2484-F	variable	87.80	variable	10.94	5*NPT	-	-	-	13.86	3*NPT	5.71	2.17	15.75	ø0.87	-	12.56

All dimensions in inch



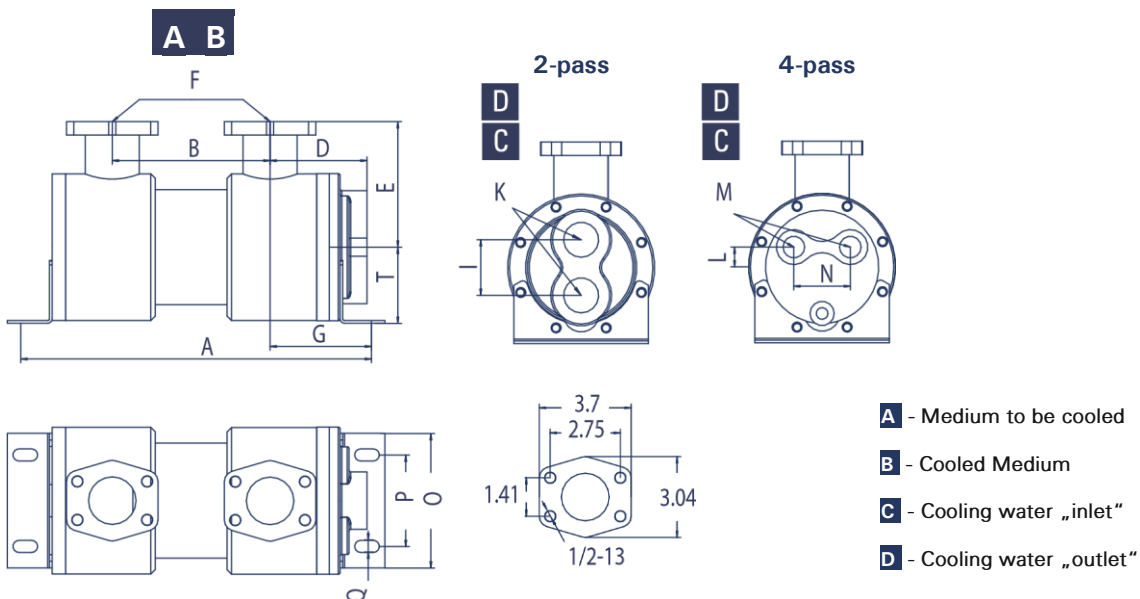
Unit dimensions UKM-500/700-Series

Typ	A	B	D	E	F	G	I	K	O	Q	R	T
UKM-508-T	12.20	6.99	2.60	2.95	G1"	2.80	1.38	G1/2"	3.74	2.50	ø0.34x0.63	2.17
UKM-512-T	16.14	10.96	2.64	2.95	G1"	2.80	1.38	G1/2"	3.74	2.50	ø0.34x0.63	2.20
UKM-514-T	18.15	12.97	2.64	2.95	G1"	2.80	1.38	G1/2"	3.74	2.50	ø0.34x0.63	2.20
UKM-518-T	22.17	16.99	2.64	2.95	G1"	2.80	1.38	G1/2"	3.74	2.50	ø0.34x0.63	2.20
UKM-524-T	28.15	22.97	2.64	2.95	G1"	2.80	1.38	G1/2"	3.74	2.50	ø0.34x0.63	2.20
UKM-536-T	40.16	34.98	2.64	2.95	G1"	2.80	1.38	G1/2"	3.74	2.50	ø0.34x0.63	2.20

Typ	A	B	D	E	F	G	I	K	O	Q	R	T
UKM-708-T	12.76	6.10	3.39	3.54	G1 1/2"	3.54	1.85	G1"	-	-	-	4.72
UKM-712-T	16.73	10.08	3.39	3.54	G1 1/2"	3.54	1.85	G1"	-	-	-	4.72
UKM-714-T	18.74	12.09	3.39	3.54	G1 1/2"	3.54	1.85	G1"	-	-	-	4.72
UKM-718-T	22.76	16.10	3.39	3.54	G1 1/2"	3.54	1.85	G1"	-	-	-	4.72
UKM-724-T	28.74	22.09	3.39	3.54	G1 1/2"	3.54	1.85	G1"	-	-	-	4.72
UKM-736-T	40.75	34.09	3.39	3.54	G1 1/2"	3.54	1.85	G1"	-	-	-	4.72

Typ	A	B	D	E	F	G	I	K	L	M	N	O
UKM-708-F	12.76	6.10	3.39	3.54	G1 1/2"	3.46	-	-	0.71	G1/2"	1.89	4.72
UKM-712-F	16.73	10.08	3.39	3.54	G1 1/2"	3.46	-	-	0.71	G1/2"	1.89	4.72
UKM-714-F	18.74	12.09	3.39	3.54	G1 1/2"	3.46	-	-	0.71	G1/2"	1.89	4.72
UKM-718-F	22.76	16.10	3.39	3.54	G1 1/2"	3.46	-	-	0.71	G1/2"	1.89	4.72
UKM-724-F	28.74	22.09	3.39	3.54	G1 1/2"	3.46	-	-	0.71	G1/2"	1.89	4.72
UKM-736-F	40.75	34.09	3.39	3.54	G1 1/2"	3.46	-	-	0.71	G1/2"	1.89	4.72

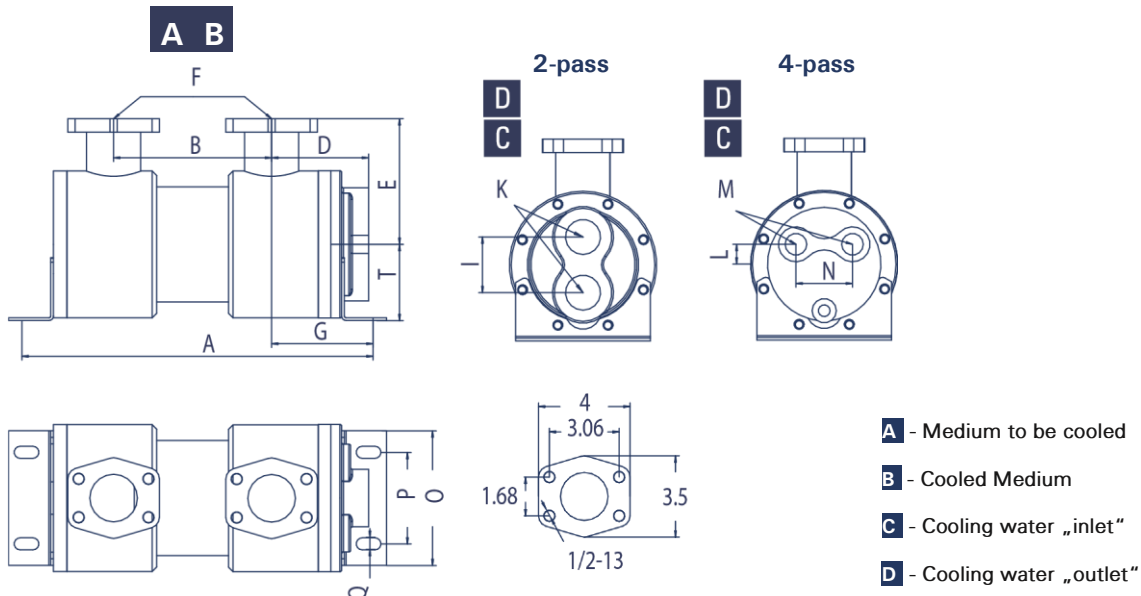
All dimensions in inch



Unit dimensions UKM-1000-Series

Typ	A	B	D	E	F	G	I	K	L	M	N	O	P	Q	T
UKM-1012-T	18.27	10.28	4.13	4.33	G11/2"	4.17	2.44	G11/4"	-	-	-	5.91	4.02	ø0.51x1.06	3.35
UKM-1014-T	20.28	12.28	4.13	4.33	G11/2"	4.17	2.44	G11/4"	-	-	-	5.91	4.02	ø0.51x1.06	3.35
UKM-1018-T	24.29	16.30	4.13	4.33	G11/2"	4.17	2.44	G11/4"	-	-	-	5.91	4.02	ø0.51x1.06	3.35
UKM-1024-T	30.28	22.28	4.13	4.33	G11/2"	4.17	2.44	G11/4"	-	-	-	5.91	4.02	ø0.51x1.06	3.35
UKM-1036-T	42.28	34.29	4.13	4.33	G11/2"	4.17	2.44	G11/4"	-	-	-	5.91	4.02	ø0.51x1.06	3.35
UKM-1048-T	54.29	46.30	4.13	4.33	G11/2"	4.17	2.44	G11/4"	-	-	-	5.91	4.02	ø0.51x1.06	3.35
UKM-1060-T	66.30	58.31	4.13	4.33	G11/2"	4.17	2.44	G11/4"	-	-	-	5.91	4.02	ø0.51x1.06	3.35
Typ	A	B	D	E	F	G	I	K	L	M	N	O	P	Q	T
UKM-1012-F	18.27	10.28	4.13	4.33	G11/2"	4.17	-	-	0.87	G3/4"	2.48	5.91	4.02	ø0.51x1.06	3.35
UKM-1014-F	20.28	12.28	4.13	4.33	G11/2"	4.17	-	-	0.87	G3/4"	2.48	5.91	4.02	ø0.51x1.06	3.35
UKM-1018-F	24.29	16.30	4.13	4.33	G11/2"	4.17	-	-	0.87	G3/4"	2.48	5.91	4.02	ø0.51x1.06	3.35
UKM-1024-F	30.28	22.28	4.13	4.33	G11/2"	4.17	-	-	0.87	G3/4"	2.48	5.91	4.02	ø0.51x1.06	3.35
UKM-1036-F	42.28	34.29	4.13	4.33	G11/2"	4.17	-	-	0.87	G3/4"	2.48	5.91	4.02	ø0.51x1.06	3.35
UKM-1048-F	54.29	46.30	4.13	4.33	G11/2"	4.17	-	-	0.87	G3/4"	2.48	5.91	4.02	ø0.51x1.06	3.35
UKM-1060-F	66.30	58.31	4.13	4.33	G11/2"	4.17	-	-	0.87	G3/4"	2.48	5.91	4.02	ø0.51x1.06	3.35

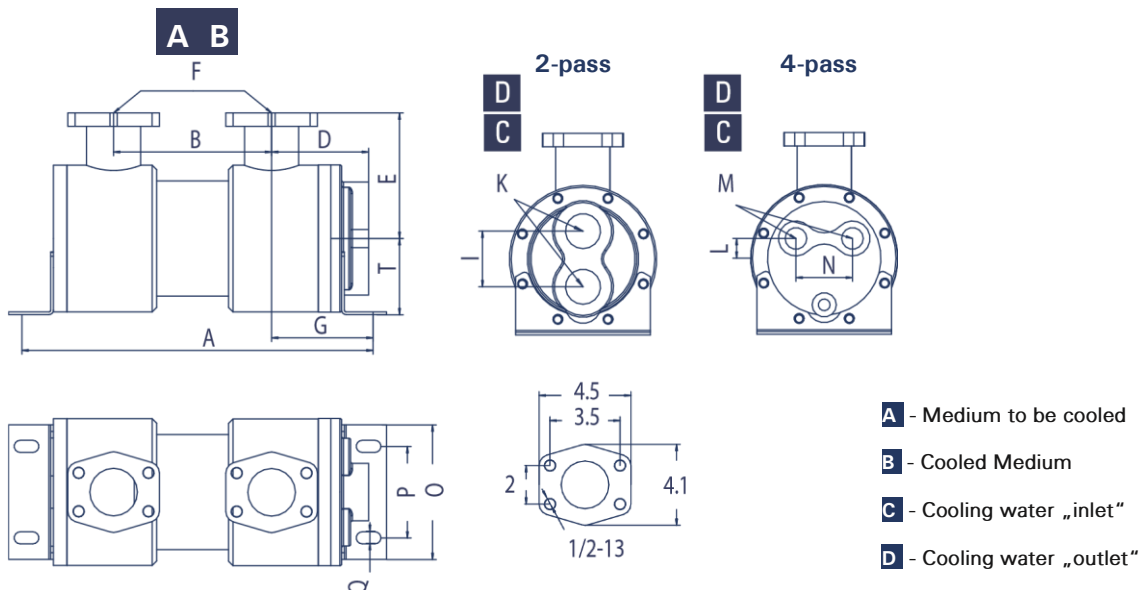
All dimensions in inch



Unit dimensions UKM-1200-Series

Typ	A	B	D	E	F	G	I	K	L	M	N	O	P	Q	T
UKM-1218-T	24.29	15.35	5.20	5.71	SAE21/2"	4.61	3.43	G2"	-	-	-	7.48	5.59	ø0.51x1.06	4.72
UKM-1224-T	30.28	21.34	5.20	5.71	SAE21/2"	4.61	3.43	G2"	-	-	-	7.48	5.59	ø0.51x1.06	4.72
UKM-1230-T	36.30	27.36	5.20	5.71	SAE21/2"	4.61	3.43	G2"	-	-	-	7.48	5.59	ø0.51x1.06	4.72
UKM-1236-T	42.28	33.35	5.20	5.71	SAE21/2"	4.61	3.43	G2"	-	-	-	7.48	5.59	ø0.51x1.06	4.72
UKM-1242-T	48.31	39.37	5.20	5.71	SAE21/2"	4.61	3.43	G2"	-	-	-	7.48	5.59	ø0.51x1.06	4.72
UKM-1248-T	54.09	45.35	5.20	5.71	SAE21/2"	4.61	3.43	G2"	-	-	-	7.48	5.59	ø0.51x1.06	4.72
UKM-1254-T	60.28	51.34	5.20	5.71	SAE21/2"	4.61	3.43	G2"	-	-	-	7.48	5.59	ø0.51x1.06	4.72
UKM-1260-T	66.30	57.36	5.20	5.71	SAE21/2"	4.61	3.43	G2"	-	-	-	7.48	5.59	ø0.51x1.06	4.72
UKM-1266-T	72.32	63.35	5.20	5.71	SAE21/2"	4.61	3.43	G2"	-	-	-	7.48	5.59	ø0.51x1.06	4.72
UKM-1272-T	78.27	69.37	5.20	5.71	SAE21/2"	4.61	3.43	G2"	-	-	-	7.48	5.59	ø0.51x1.06	4.72
UKM-1278-T	84.33	75.39	5.20	5.71	SAE21/2"	4.61	3.43	G2"	-	-	-	7.48	5.59	ø0.51x1.06	4.72
UKM-1284-T	90.31	81.38	5.20	5.71	SAE21/2"	4.61	3.43	G2"	-	-	-	7.48	5.59	ø0.51x1.06	4.72
Typ	A	B	D	E	F	G	I	K	L	M	N	O	P	Q	T
UKM-1218-F	24.29	15.35	5.16	5.71	SAE21/2"	4.61	-	-	0.98	G1"	2.76	7.48	5.59	ø0.51x1.06	4.72
UKM-1224-F	30.28	21.34	5.16	5.71	SAE21/2"	4.61	-	-	0.98	G1"	2.76	7.48	5.59	ø0.51x1.06	4.72
UKM-1230-F	36.30	27.36	5.16	5.71	SAE21/2"	4.61	-	-	0.98	G1"	2.76	7.48	5.59	ø0.51x1.06	4.72
UKM-1236-F	42.28	33.35	5.16	5.71	SAE21/2"	4.61	-	-	0.98	G1"	2.76	7.48	5.59	ø0.51x1.06	4.72
UKM-1242-F	48.31	39.37	5.16	5.71	SAE21/2"	4.61	-	-	0.98	G1"	2.76	7.48	5.59	ø0.51x1.06	4.72
UKM-1248-F	54.09	45.35	5.16	5.71	SAE21/2"	4.61	-	-	0.98	G1"	2.76	7.48	5.59	ø0.51x1.06	4.72
UKM-1254-F	60.28	51.34	5.16	5.71	SAE21/2"	4.61	-	-	0.98	G1"	2.76	7.48	5.59	ø0.51x1.06	4.72
UKM-1260-F	66.30	57.36	5.16	5.71	SAE21/2"	4.61	-	-	0.98	G1"	2.76	7.48	5.59	ø0.51x1.06	4.72
UKM-1266-F	72.32	63.35	5.16	5.71	SAE21/2"	4.61	-	-	0.98	G1"	2.76	7.48	5.59	ø0.51x1.06	4.72
UKM-1272-F	78.27	69.37	5.16	5.71	SAE21/2"	4.61	-	-	0.98	G1"	2.76	7.48	5.59	ø0.51x1.06	4.72
UKM-1278-F	84.33	75.39	5.16	5.71	SAE21/2"	4.61	-	-	0.98	G1"	2.76	7.48	5.59	ø0.51x1.06	4.72
UKM-1284-F	90.31	81.38	5.16	5.71	SAE21/2"	4.61	-	-	0.98	G1"	2.76	7.48	5.59	ø0.51x1.06	4.72

All dimensions in inch

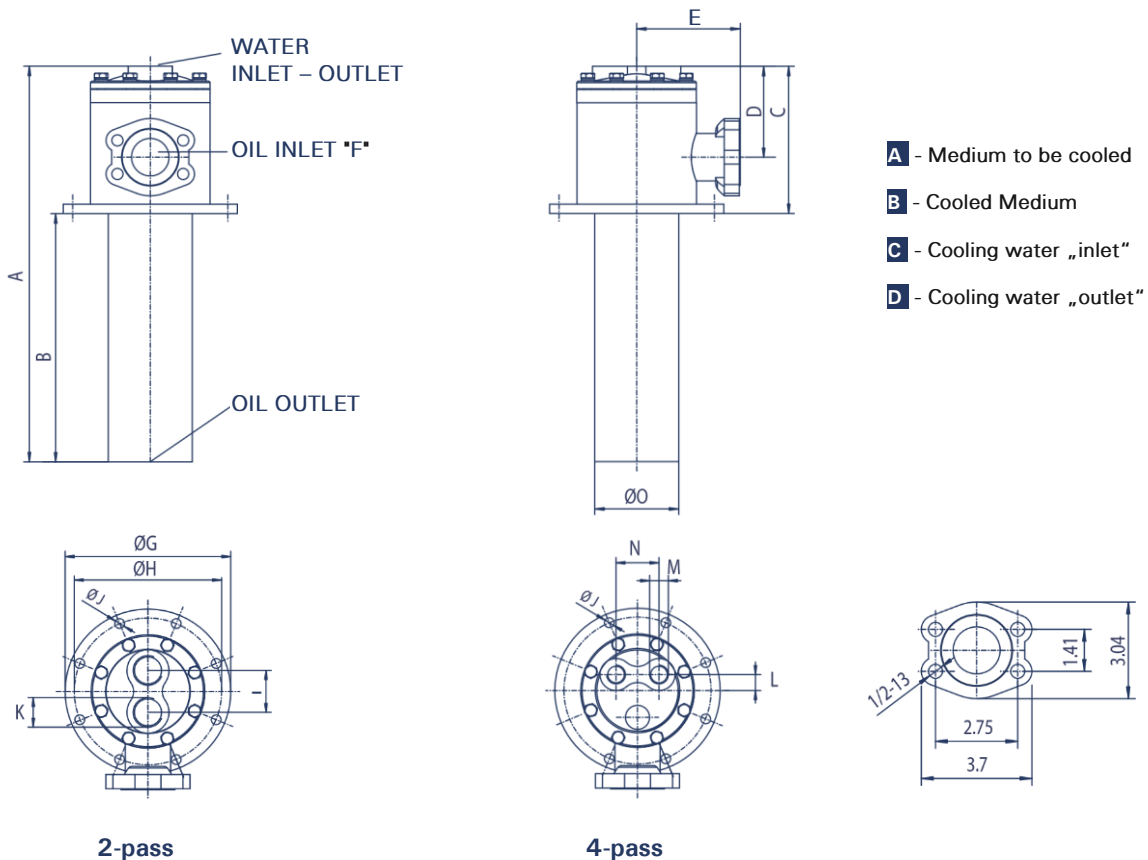


Unit dimensions UKTM-500/700-Series

Typ	A	B	C	D	E	F	G	H	I	J	K	L	M	N	O
UKTM-505-T	8.27	3.35	4.92	2.87	1.87	G1"	5.91	5.12	1.38	∅0.43	G1/2"	2.55	8.27	3.35	4.92
UKTM-508-T	11.26	5.51	5.75	3.66	1.87	G1"	5.91	5.12	1.38	∅0.43	G1/2"	2.55	11.26	5.51	5.75
UKTM-512-T	15.24	9.49	5.75	3.66	1.87	G1"	5.91	5.12	1.38	∅0.43	G1/2"	2.55	15.24	9.49	5.75
UKTM-514-T	17.24	11.50	5.75	3.66	1.87	G1"	5.91	5.12	1.38	∅0.43	G1/2"	2.55	17.24	11.50	5.75
UKTM-518-T	21.26	15.51	5.75	3.66	1.87	G1"	5.91	5.12	1.38	∅0.43	G1/2"	2.55	21.26	15.51	5.75
UKTM-524-T	27.24	21.50	5.75	3.66	1.87	G1"	5.91	5.12	1.38	∅0.43	G1/2"	2.55	27.24	21.50	5.75
UKTM-536-T	39.25	33.50	5.75	3.66	1.87	G1"	5.91	5.12	1.38	∅0.43	G1/2"	2.55	39.25	33.50	5.75

Typ	A	B	C	D	E	F	G	H	I	J	K	L	M	N	O
UKTM-708-T	11.73	5.55	6.18	3.82	4.33	SAE11/2"	7.28	6.50	1.85	∅0.43	G1"	-	-	-	3.51
UKTM-712-T	15.71	9.53	6.18	3.82	4.33	SAE11/2"	7.28	6.50	1.85	∅0.43	G1"	-	-	-	3.51
UKTM-714-T	17.72	11.54	6.18	3.82	4.33	SAE11/2"	7.28	6.50	1.85	∅0.43	G1"	-	-	-	3.51
UKTM-718-T	21.73	15.55	6.18	3.82	4.33	SAE11/2"	7.28	6.50	1.85	∅0.43	G1"	-	-	-	3.51
UKTM-724-T	27.72	21.54	6.18	3.82	4.33	SAE11/2"	7.28	6.50	1.85	∅0.43	G1"	-	-	-	3.51
Typ	A	B	C	D	E	F	G	H	I	J	K	L	M	N	O
UKTM-712-F	11.73	5.55	6.18	3.82	4.33	SAE11/2"	7.28	6.50	-	∅0.43	-	0.71	G1/2"	1.89	3.51
UKTM-714-F	15.71	9.53	6.18	3.82	4.33	SAE11/2"	7.28	6.50	-	∅0.43	-	0.71	G1/2"	1.89	3.51
UKTM-718-F	17.72	11.54	6.18	3.82	4.33	SAE11/2"	7.28	6.50	-	∅0.43	-	0.71	G1/2"	1.89	3.51
UKTM-724-F	21.73	15.55	6.18	3.82	4.33	SAE11/2"	7.28	6.50	-	∅0.43	-	0.71	G1/2"	1.89	3.51
UKTM-736-F	27.72	21.54	6.18	3.82	4.33	SAE11/2"	7.28	6.50	-	∅0.43	-	0.71	G1/2"	1.89	3.51

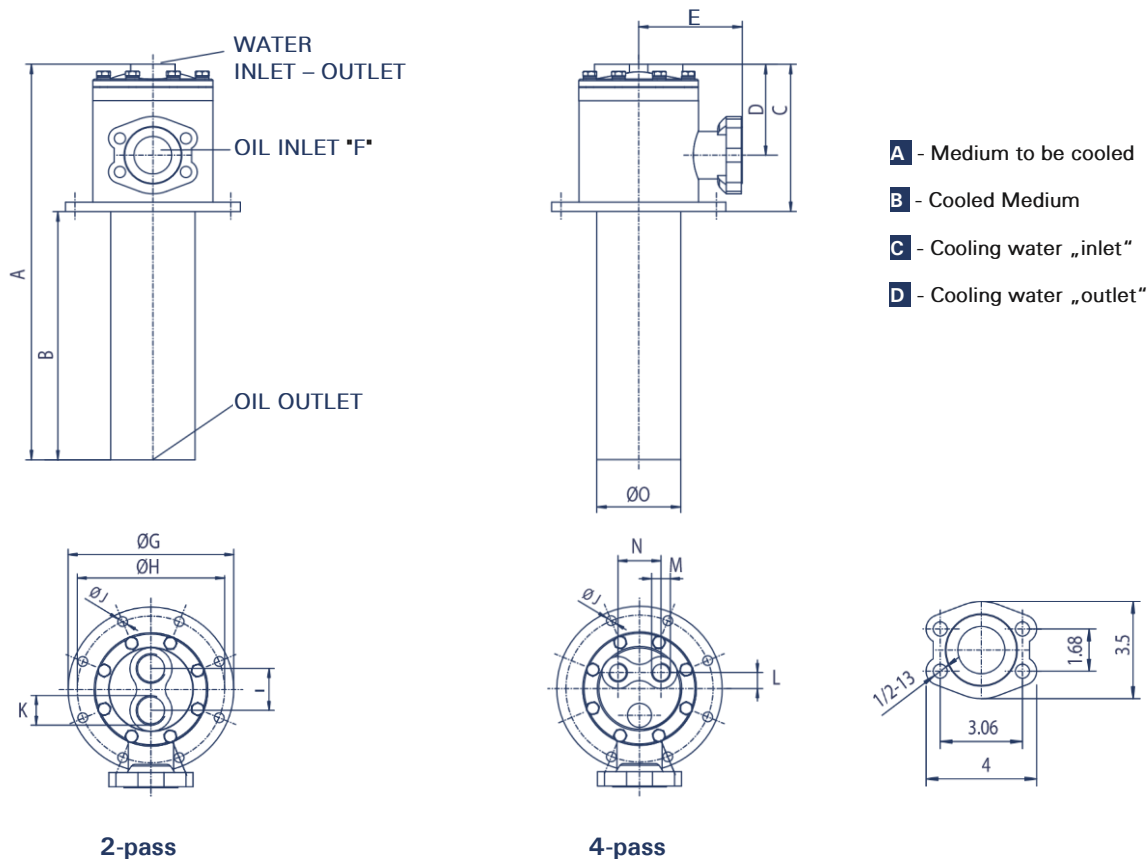
All dimensions in inch



Unit dimensions UKTM-1000-Series

Typ	A	B	C	D	E	F	G	H	I	J	K	L	M	N	O
UKTM-1012-T	16.77	9.45	7.32	4.37	4.92	SAE2"	9.06	8.07	2.44	∅0.43	G11/4"	-	-	-	5.05
UKTM-1014-T	18.78	11.46	7.32	4.37	4.92	SAE2"	9.06	8.07	2.44	∅0.43	G11/4"	-	-	-	5.05
UKTM-1018-T	22.80	15.47	7.32	4.37	4.92	SAE2"	9.06	8.07	2.44	∅0.43	G11/4"	-	-	-	5.05
UKTM-1024-T	28.78	21.46	7.32	4.37	4.92	SAE2"	9.06	8.07	2.44	∅0.43	G11/4"	-	-	-	5.05
UKTM-1036-T	40.79	33.46	7.32	4.37	4.92	SAE2"	9.06	8.07	2.44	∅0.43	G11/4"	-	-	-	5.05
UKTM-1048-T	52.80	45.47	7.32	4.37	4.92	SAE2"	9.06	8.07	2.44	∅0.43	G11/4"	-	-	-	5.05
Typ	A	B	C	D	E	F	G	H	I	J	K	L	M	N	O
UKTM-1012-F	16.77	9.45	7.32	4.37	4.92	SAE2"	9.06	8.07	-	∅0.43	-	0.89	G3/4"	2.48	5.05
UKTM-1014-F	18.78	11.46	7.32	4.37	4.92	SAE2"	9.06	8.07	-	∅0.43	-	0.89	G3/4"	2.48	5.05
UKTM-1018-F	22.80	15.47	7.32	4.37	4.92	SAE2"	9.06	8.07	-	∅0.43	-	0.89	G3/4"	2.48	5.05
UKTM-1024-F	28.78	21.46	7.32	4.37	4.92	SAE2"	9.06	8.07	-	∅0.43	-	0.89	G3/4"	2.48	5.05
UKTM-1036-F	40.79	33.46	7.32	4.37	4.92	SAE2"	9.06	8.07	-	∅0.43	-	0.89	G3/4"	2.48	5.05
UKTM-1048-F	52.80	45.47	7.32	4.37	4.92	SAE2"	9.06	8.07	-	∅0.43	-	0.89	G3/4"	2.48	5.05

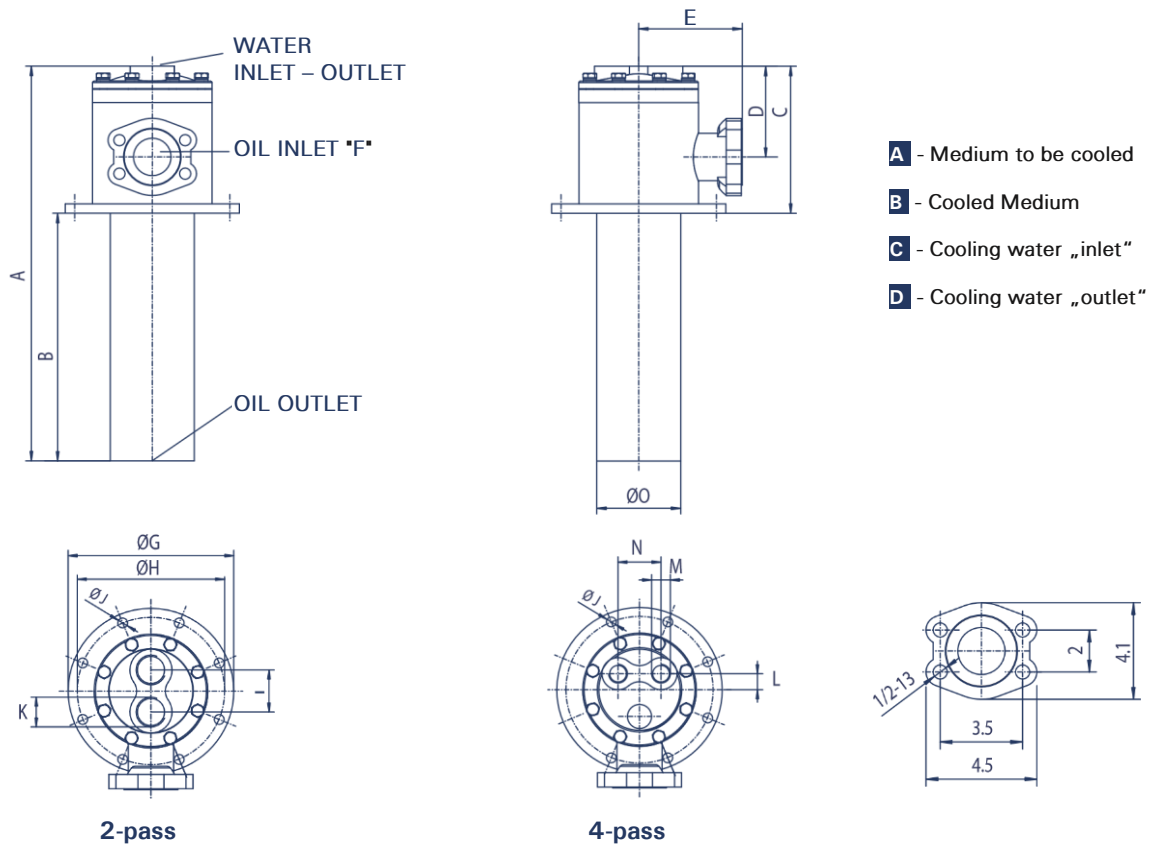
All dimensions in inch



Unit dimensions UKTM-1200-Series

Typ	A	B	C	D	E	F	G	H	I	J	K	L	M	N	O
UKTM-1218-T	23.43	15.47	7.95	5.00	5.71	SAE21/2"	10.83	9.45	3.43	ø0.43	G2"	-	-	-	6.30
UKTM-1224-T	29.29	21.34	7.95	5.00	5.71	SAE21/2"	10.83	9.45	3.43	ø0.43	G2"	-	-	-	6.30
UKTM-1230-T	35.43	27.48	7.95	5.00	5.71	SAE21/2"	10.83	9.45	3.43	ø0.43	G2"	-	-	-	6.30
UKTM-1236-T	41.34	33.39	7.95	5.00	5.71	SAE21/2"	10.83	9.45	3.43	ø0.43	G2"	-	-	-	6.30
UKTM-1242-T	47.44	39.49	7.95	5.00	5.71	SAE21/2"	10.83	9.45	3.43	ø0.43	G2"	-	-	-	6.30
UKTM-1248-T	53.43	45.47	7.95	5.00	5.71	SAE21/2"	10.83	9.45	3.43	ø0.43	G2"	-	-	-	6.30
UKTM-1254-T	59.41	51.46	7.95	5.00	5.71	SAE21/2"	10.83	9.45	3.43	ø0.43	G2"	-	-	-	6.30
UKTM-1260-T	65.43	57.48	7.95	5.00	5.71	SAE21/2"	10.83	9.45	3.43	ø0.43	G2"	-	-	-	6.30
UKTM-1266-T	71.42	63.46	7.95	5.00	5.71	SAE21/2"	10.83	9.45	3.43	ø0.43	G2"	-	-	-	6.30
UKTM-1272-T	77.44	69.49	7.95	5.00	5.71	SAE21/2"	10.83	9.45	3.43	ø0.43	G2"	-	-	-	6.30
UKTM-1278-T	83.46	75.51	7.95	5.00	5.71	SAE21/2"	10.83	9.45	3.43	ø0.43	G2"	-	-	-	6.30
UKTM-1284-T	89.37	81.42	7.95	5.00	5.71	SAE21/2"	10.83	9.45	3.43	ø0.43	G2"	-	-	-	6.30
Typ	A	B	C	D	E	F	G	H	I	J	K	L	M	N	O
UKTM-1218-F	23.43	15.47	7.95	5.00	5.71	SAE21/2"	10.83	9.45	-	ø0.43	-	0.98	G1"	2.76	6.30
UKTM-1224-F	29.29	21.34	7.95	5.00	5.71	SAE21/2"	10.83	9.45	-	ø0.43	-	0.98	G1"	2.76	6.30
UKTM-1230-F	35.43	27.48	7.95	5.00	5.71	SAE21/2"	10.83	9.45	-	ø0.43	-	0.98	G1"	2.76	6.30
UKTM-1236-F	41.34	33.39	7.95	5.00	5.71	SAE21/2"	10.83	9.45	-	ø0.43	-	0.98	G1"	2.76	6.30
UKTM-1242-F	47.44	39.49	7.95	5.00	5.71	SAE21/2"	10.83	9.45	-	ø0.43	-	0.98	G1"	2.76	6.30
UKTM-1248-F	53.43	45.47	7.95	5.00	5.71	SAE21/2"	10.83	9.45	-	ø0.43	-	0.98	G1"	2.76	6.30
UKTM-1254-F	59.41	51.46	7.95	5.00	5.71	SAE21/2"	10.83	9.45	-	ø0.43	-	0.98	G1"	2.76	6.30
UKTM-1260-F	65.43	57.48	7.95	5.00	5.71	SAE21/2"	10.83	9.45	-	ø0.43	-	0.98	G1"	2.76	6.30
UKTM-1266-F	71.42	63.46	7.95	5.00	5.71	SAE21/2"	10.83	9.45	-	ø0.43	-	0.98	G1"	2.76	6.30
UKTM-1272-F	77.44	69.49	7.95	5.00	5.71	SAE21/2"	10.83	9.45	-	ø0.43	-	0.98	G1"	2.76	6.30
UKTM-1278-F	83.46	75.51	7.95	5.00	5.71	SAE21/2"	10.83	9.45	-	ø0.43	-	0.98	G1"	2.76	6.30
UKTM-1284-F	89.37	81.42	7.95	5.00	5.71	SAE21/2"	10.83	9.45	-	ø0.43	-	0.98	G1"	2.76	6.30

All dimensions in inch



advanced quality

customized designs

made in europe and usa

Tecnical data

Caution: Incorrect installation can lead to damage to the cooler. For the seawater version, zinc anodes should be provided on the waterside. Exact information for the pressure resistance can be found in the respective component drawings.

Maximum operating pressure

Shell = up to 500 psi

Tubes = up to 230 psi

Operating temperature

41 - 203 °F

Maximum flow rate in gpm

Typ	Oil Shell	Water Tubes CuNi 90/10 (CN) / Stainless steel (SS)		
		O	T	F
EKM - 500	19.8	15.9	7.93	-
EKM - 700	59.4	31.7	15.9	7.9
EKM - 1000	87.2	74	37	18
EKM - 1200	172	148	74	37
EKM - 1400	225	137	68.7	34
EKM - 1700	317	25.9	129	65

Typ	Oil Shell	Wasser Tubes Copper (CU)			Water Tubes CuNi 90/10(CN) / Stainless steel (SS)			Sea water Rohre CuNi 90/10 (CN)		
		O	T	F	O	T	F	O	T	F
SCM - 1000	87.2	59.4	29.1	15	89.8	44.9	22	75.3	37	18
SCM - 1200	172	132	66	33	198	99.1	49	159	79.3	40
SCM - 1700	317	225	112	56	343	172	86	277	140	70
SCM - 2400	476	423	211	106	634	317	159	528	264	132
SCM - 4000	793	634	317	159	925	462	231	740	370	185

Typ	Oil Shell	Water Tubes Copper (CU)		Water Tubes CuNi 90/10(CN) / Stainless steel (SS)		Sea water Rohre CuNi 90/10 (CN)	
		T	F	T	F	T	F
UKTM/UKM - 500	19.8	4.49	-	6.9	-	5.81	-
UKTM/UKM - 700	59.4	8.98	4.32	14	6.34	11.4	5.5
UKTM/UKM - 1000	106	21.7	10.6	32	15.3	26.9	13
UKTM/UKM - 1200	172	48.1	24	60	35.9	60	30

The technical data of this sheet is depending on the described operational conditions and individual cases. At different operational conditions and differing individual cases contact Universal Hydraulik. Technical modifications reserved. Please also pay attention to our operation manuals and maintenance documentations. In case of an order, binding dimensions can be found in the associated component drawing.

advanced quality

customized designs

made in europe and usa

Ordering code

SS - EKM R - 1036 - 6 - O - CN - R - W - SW (S:G112 - T:G114)

Complete cooler
Stainless steel
incl. aluminium
Fins

Series
abbreviation
EKM-Series
SCM-Series
UKM-Series
UKTM-Series

R= removable
cartridge

Unit size

Guide segment distance

Cooling water
connection system
O = 1-pass
T = 2-pass
F = 4-pass

Tube material
CN = Copper nickel
CU = Copper
SS = Stainless steel

Connection
shell side
See following
page

Connection
shell side
See following
page

End caps material
Without data = Cast iron or steel
SW = Cast iron (nickel coating treatment)
SWBZ = Sea water resistant gun metal
end caps + zinc anode
SS = Stainless steel

Tube sheet material
Without data = Steel
W= Brass
SS = Stainless steel

Bypass version
R/R2 = partly opened (depends on the mounting)
RS/RS2 = fully opened (depends on the mounting)

EKM-Serie: Heat exchanger with straight water tubes inside. Available in sizes 500-1700.

SCM-Serie: Heat exchanger with straight water tubes and increased tube diameters inside. Available in sizes 1000-4000.

UKM-Serie: Heat exchanger with U-formed water tubes inside. Available in sizes 500-1200.

UKTM-Serie: Heat exchanger with U-formed water tubes inside for mounting in tanks. Available in sizes 500-1200.

advanced quality

customized designs

made in europe and usa

Connection designation

EKM-1036-6-O-CN (S:G112 - T:G114)

Type code acc. UH-data sheet
(see previous page)

Connection type and
connection size,
shell side

Connection type and
connection size, tube
side

Connection table

G BSPP-thread:	N NPT-thread:	# SAE-Port with UNF:	S SAE-flange:
G1/8" = G18	1/8" NPT = N18	7/16-20 UNF = #4	3/4"-3000psi = S34
G1/4" = G14	1/4" NPT = N14	1/2-20 UNF = #5	1"-3000psi = S1
G3/8" = G38	3/8" NPT = N38	9/16-18 UNF = #6	1 1/4"-3000psi = S114
G1/2" = G12	1/2" NPT = N12	3/4-16 UNF = #8	1 1/2"-3000psi = S112
G3/4" = G34	3/4" NPT = N34	7/8-14 UNF = #10	2"-3000psi = S2
G1" = G1	1" NPT = N1	1 1/16-12 UNF = #12	2 1/2"-3000psi = S212
G1 1/4" = G114	1 1/4" NPT = N114	1 3/16-12 UNF = #14	3"-3000psi = S3
G1 1/2" = G112	1 1/2" NPT = N112	1 5/16-12 UNF = #16	4"-3000psi = S4
G2" = G2	2" NPT = N2	1 5/8-12 UNF = #20	5"-3000psi = S5
		1 7/8-12 UNF = #24	
		2 1/2-12 UNF = #32	
D DIN-flange:	D DIN-flange:	A ANSI-flange:	A ANSI-flange:
DN20/PN16 = D20/16	DN20/PN40 = D20/40	1/2"-150lbs = A12/15	1/2"-300lbs = A12/3
DN25/PN16 = D25/16	DN25/PN40 = D25/40	3/4"-150lbs = A34/15	3/4"-300lbs = A34/3
DN32/PN16 = D32/16	DN32/PN40 = D32/40	1"-150lbs = A1/15	1"-300lbs = A1/3
DN40/PN16 = D40/16	DN40/PN40 = D40/40	1 1/4"-150lbs = A114/15	1 1/4"-300lbs = A114/3
DN50/PN16 = D50/16	DN50/PN40 = D50/40	1 1/2"-150lbs = A112/15	1 1/2"-300lbs = A112/3
DN65/PN16 = D65/16	DN65/PN40 = D65/40	2"-150lbs = A2/15	2"-300lbs = A2/3
DN80/PN16 = D80/16	DN80/PN40 = D80/40	2 1/2"-150lbs = A212/15	2 1/2"-300lbs = A212/3
DN100/PN16 = D100/16	DN100/PN40 = D100/40	3"-150lbs = A3/15	3"-300lbs = A3/3
DN125/PN16 = D125/16	DN125/PN40 = D125/40	4"-150lbs = A4/15	4"-300lbs = A4/3
DN150/PN16 = D150/16	DN150/PN40 = D150/40	5"-150lbs = A5/15	5"-300lbs = A5/3
DN200/PN16 = D200/16	DN200/PN40 = D200/40		

Sales

Universal Hydraulik GmbH
Siemensstr. 33. D-61267 Neu-Anspach
Tel.: +49 (0) 60 81/ 9418- 0. Fax +49 (0) 60 81/ 94 18 49
E-Mail: info@universalhydraulik.com
www.universalhydraulik.com

Universal Hydraulik USA, Corp.
Fort Meigs Business Center. 25651 Fort Meigs Road, Suite A
Perrysburg, OH 43551
Phone: 419 873 63 40. Fax: 419 873 63 42
email: info@universalhydraulik.com
www.universalhydraulik-usa.com