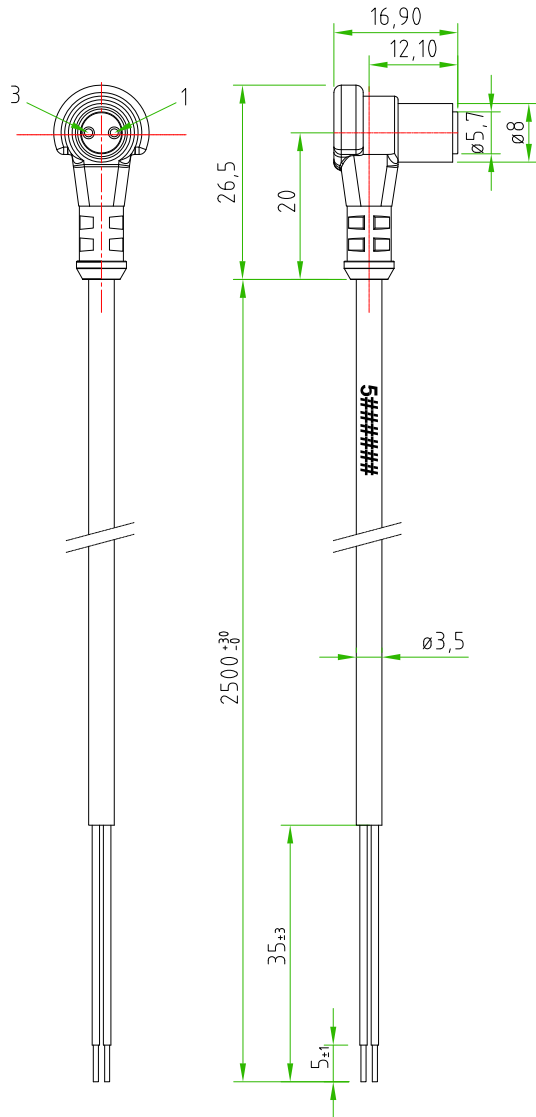


Rev.	Modify	Date	Signed	Approved

Rev.	Modify	Date	Signed	Approved

Rev.	Modify	Date	Signed	Approved

BROWN ○ ————— C 1
 BLUE ○ ————— C 3



CONNECTOR FEATURES	
PRODUCT TYPE	M8 SNAP CIRCULAR CONNECTOR WITH MOULDED CABLE
CONNECTOR TYPE	ANGLED 90°
CONTACTS TYPE	FEMALE 2POLES
NUMBER OF CONTACTS CONNECTED	N°2
PROTECTION CLASS	IP69K
RATED VOLTAGE	50V AC / 60V DC
RATED CURRENT	3A
CONNECTOR WITHOUT H.T.P.LOGO	
CABLE FEATURES	
H.T.P.CABLE CODE	CAVO N-2-IS
NUMBER OF CONDUCTORS	N°2
CONDUCTORS SECTION	0,25mm ²
CABLE MATERIAL	PVC (CEI2022)
COATING COLOUR	GREY RAL7032
CONDUCTORS INSULATION MATERIAL	PVC
CABLE LENGHT	2500mm
STRIPPING	35mm STANDARD
PEELING AND TINNING	5mm STANDARD
CABLE DIAMETER	ø3,5mm
CABLE PROVIDED BY H.T.P. Italy	
ON THE CABLE, NEAR THE CONNECTOR HEAD, MUST BE SILK PRINTED THE H.T.P. PRODUCTION DATE CODE 5#####	



1- DO NOT INSERT THE SINGLE CONNECTOR INTO THE PLASTIC BAG.
 2- ROLL UP THE CABLE OF THE CONNECTOR AS THE PHOTO HERE BELOW.
 YOU HAVE ALSO TO CLOSE THE CABLE WITH A SINGLE METAL PLASTIFIED WIRE.



CUSTOMER APPROVAL	
SIGNATURE	DATE
PLEASE SIGN AND RETURN	

A4

Designer	SUGLIANI R.	Date	2016-06-27	Tolerance	±0.3	Units:	mm	Series	M8	Drawing n. 1-1
Approved	CIMMINO L.	Date	2016-06-27	Scale	1:1	Size:	A4	Customer code:		

	DESCRIPTION	H.T.P.PART NUMBER
	CIRCULAR CONNECTOR M8 SNAP, FEMALE, ANGLED 90°, 2POLES, WITH CABLE PVC/PVC CEI2022 2x0.25mm ² , GREY COLOUR, RAL7032, L=2,5m, CONNECTOR WITHOUT H.T.P.LOGO	08FY2N2E-IS-Y