

BASEPLATE MATERIAL AND FINISH DATA

CODE	MATERIAL	SPEC.	FINISH	SPEC.
A	5052 OR 6061 ALUMINUM	AMS-QQ-A-250	NONE	
AA			ANODIZE	MIL-A-8625 TYPE 1
CR	302, 304, OR A-286 CRES	AMS 5516, 5513, OR 5525	PASSIVATE	AMS 2700
CRM	316 CRES	AMS 5507 OR 5524	PASSIVATE	AMS 2700
T	TITANIUM	AMS 4900, 4901, OR 4902	NONE	

SADDLE MATERIAL AND FINISH DATA

CODE	MATERIAL	SPEC.	COLOR
K	PEKK	NONE	NATURAL
N	NYLON, NATURAL	ASTM D4066, D6779, OR EQUAL	NATURAL
NB	NYLON, BLACK, STABILIZED	ASTM D4066, D6779, OR EQUAL	BLACK
NH	NYLON, HEAT STABILIZED	ASTM D4066, D6779, OR EQUAL	NATURAL
P	PEEK	NONE	NATURAL
T	TEFZEL	FLUOROPOLYMER	BLUE
V	POLYETHERIMIDE	ULTEM 1000 OR EQUAL	NATURAL
VC	CARBON/POLYETHERIMIDE	NONE	NATURAL

DIMENSION DATA

SIZE CODE	D REF	SADDLE DIMENSIONS		
		A	B	C
2	.100	.56	.34	.37
3	.190	.67	.44	.43
5	.350	.92	.56	.52

OPTIONAL BASEPLATE PRIMER

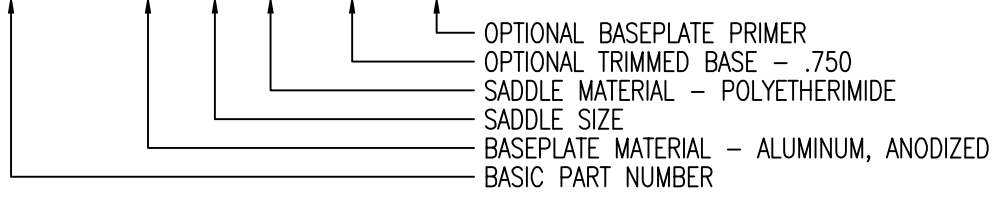
CODE	MATERIAL SPEC.
P	MIL-PRF-85582

RIVET MATERIAL: 300 SERIES OR A-286 CRES
 RIVET FINISH: PASSIVATE PER AMS 2700

MANUFACTURER'S OPTION:
 300 SERIES CRES WASHER UNDER RIVET HEAD

EXAMPLE PART NUMBER

CB3019 AA 3 V 750 P



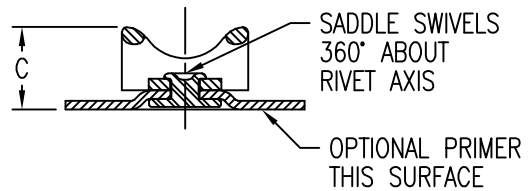
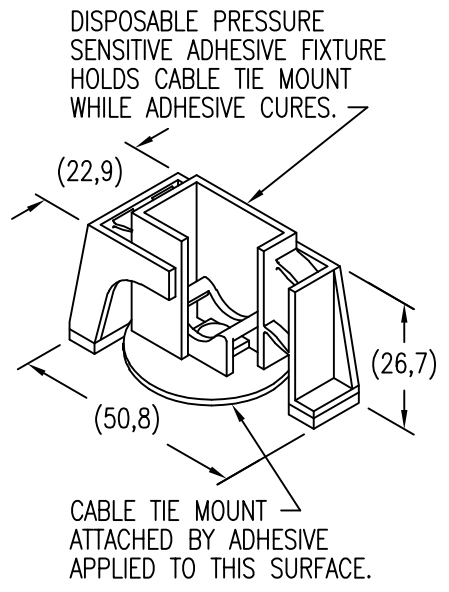
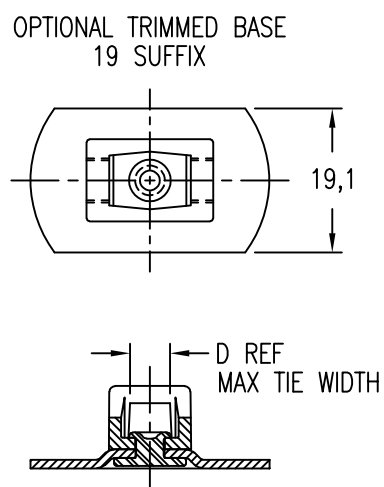
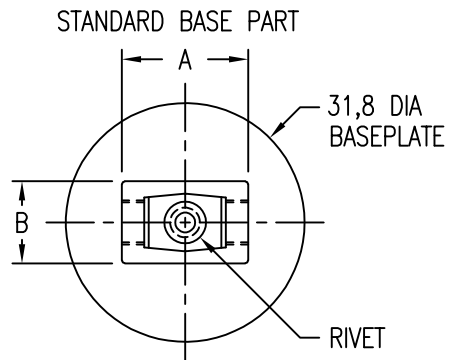
UNLESS OTHERWISE SPECIFIED, ALL DIMENSIONS ARE IN INCHES AND TOLERANCES ARE AS SHOWN BELOW. DIMENSIONAL TOLERANCES AND SYMBOLS PER ANSI Y14.5M-1982.

PROPRIETARY PARTS SHOWN IN THIS DRAWING ARE THE SUBJECT OF ISSUED UNITED STATES AND FOREIGN PATENTS AND PATENTS PENDING. UNAUTHORIZED REPRODUCTION AND/OR DISTRIBUTION OF THIS DRAWING IS SPECIFICALLY PROHIBITED.



CARSON CITY NEVADA 89706

CAD CB3019-1		APPROVALS	DATE	TITLE		MOUNT, CABLE TIE	
ANGLES	±1°	DRAWN	DAC	29MAY13	SIZE	CAGE CODE	DWG. NO.
.XX	±.03	CHECKED	DAC	30OCT18	A	66530	CB3019
.XXX	±.010	RELEASED	BT	30OCT18	SCALE	1/1	REV. 19
.XXXX	±.001	REVISED	DAC	30OCT18		30OCT18	SHEET 1 OF 2



BASEPLATE MATERIAL AND FINISH DATA

CODE	MATERIAL	SPEC.	FINISH	SPEC.
A	5052 OR 6061 ALUMINUM	AMS-QQ-A-250	NONE	
AA			ANODIZE	MIL-A-8625 TYPE 1
CR	302, 304, OR A-286 CRES	AMS 5516, 5513, OR 5525	PASSIVATE	AMS 2700
CRM	316 CRES	AMS 5507 OR 5524	PASSIVATE	AMS 2700
T	TITANIUM	AMS 4900, 4901, OR 4902	NONE	

SADDLE MATERIAL AND FINISH DATA

CODE	MATERIAL	SPEC.	COLOR
K	PEKK	NONE	NATURAL
N	NYLON, NATURAL	ASTM D4066, D6779, OR EQUAL	NATURAL
NB	NYLON, BLACK, STABILIZED	ASTM D4066, D6779, OR EQUAL	BLACK
NH	NYLON, HEAT STABILIZED	ASTM D4066, D6779, OR EQUAL	NATURAL
P	PEEK	NONE	NATURAL
T	TEFZEL	FLUOROPOLYMER	BLUE
V	POLYETHERIMIDE	ULTEM 1000 OR EQUAL	NATURAL
VC	CARBON/POLYETHERIMIDE	NONE	NATURAL

DIMENSION DATA

SIZE CODE	D REF	SADDLE DIMENSIONS		
		A	B	C
2	2,5	14,2	8,6	9,4
3	4,8	17,0	11,2	10,9
5	8,9	23,4	14,2	13,2

OPTIONAL BASEPLATE PRIMER

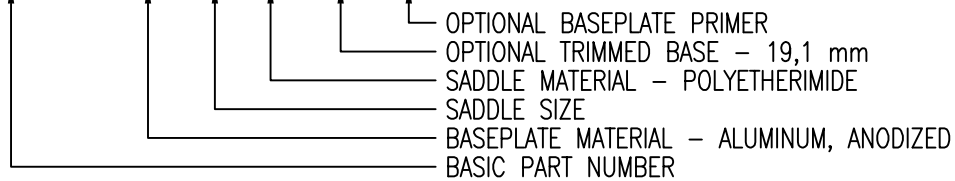
CODE	MATERIAL	SPEC.
P	MIL-PRF-85582	

RIVET MATERIAL: 300 SERIES OR A-286 CRES
 RIVET FINISH: PASSIVATE PER AMS 2700

MANUFACTURER'S OPTION:
 300 SERIES CRES WASHER UNDER RIVET HEAD

EXAMPLE PART NUMBER

CB3019 AA 3 V 19 P



UNLESS OTHERWISE SPECIFIED, ALL DIMENSIONS ARE IN MILLIMETERS AND TOLERANCES ARE AS SHOWN BELOW. DIMENSIONAL TOLERANCES AND SYMBOLS PER ANSI Y14.5M-1982.

PROPRIETARY PARTS SHOWN IN THIS DRAWING ARE THE SUBJECT OF ISSUED UNITED STATES AND FOREIGN PATENTS AND PATENTS PENDING. UNAUTHORIZED REPRODUCTION AND/OR DISTRIBUTION OF THIS DRAWING IS SPECIFICALLY PROHIBITED.



CARSON CITY
 NEVADA 89706

CAD CB3019-2 METRIC DIMENSIONS	
ANGLES	±1°
.X	±0,8
.XX	±0,25

APPROVALS	DATE
DRAWN <i>DAC</i>	29MAY13
CHECKED <i>DAC</i>	30OCT18
RELEASED <i>BT</i>	30OCT18
REVISED <i>DAC</i>	30OCT18

TITLE MOUNT, CABLE TIE			
SIZE A	CAGE CODE 66530	DWG. NO. CB3019 (METRIC)	REV. 19
SCALE 1/1	30OCT18	SHEET 2 OF 2	