

Ionpure® VNX55-EP High Flow Continuous Electrodeionization(CEDI) Modules

Ionpure® VNX Module – VNX55EP-2

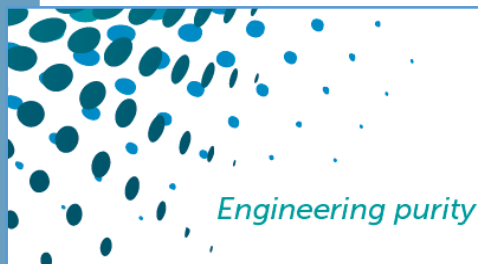
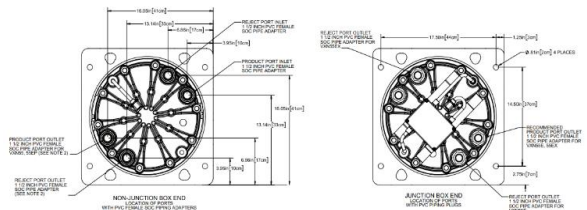
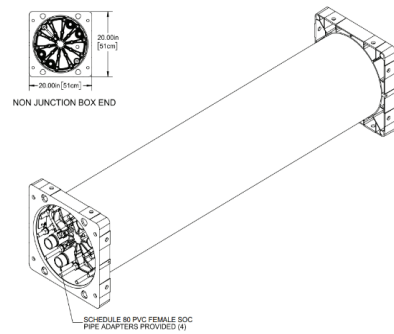
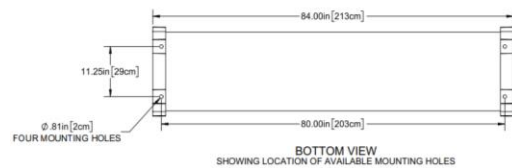
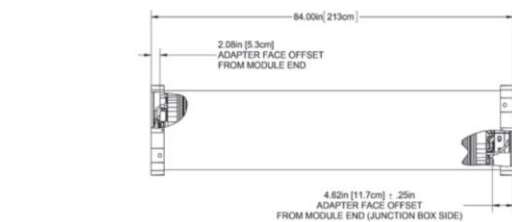
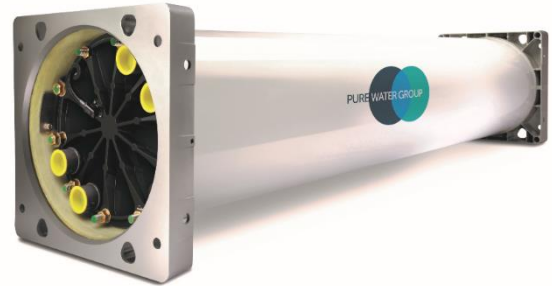
The Ionpure® VNX55-EP high flow module is designed with proven continuous electrodeionization (CEDI) technology to produce high purity water. Proprietary Flexmount™ connectors create a support system for the modules, which simplifies the systems design to reduce overall capital cost.

Each VNX55-EP module has a nominal flow rate of 12.5 m³/h (55 gpm). The VNX55-EP module expands our VNX product offering, providing ultrapure water for critical power and high purity applications. Multiple 55 gpm modules provide for simplified system design with flow rates up to, and greater than 1,000 gpm.

VNX55-EP Series Features

- Typically > 17 MΩ-cm product water resistivity
- Designed to meet low sodium, chloride, and sulfate requirements for super critical boilers
- Silica and Boron removal is typically >95%
- 1 ppm maximum feed water hardness (as CaCO₃)
- Up to 95% recovery
- No need for acid/caustic, neutralization systems or DI tank exchanges
- Robust leak free sealing with through-port gasket
- Connection fittings are included
- On-board junction box
- Optional PP 3-part union adapters

For additional information call +31 165 348 253 or visit our website at www.purewatergroup.com



Ionpure® VNX55-EP High Flow Continuous Electrodeionization (CEDI) Modules

Operating environment

Installation should be indoors with no direct sunlight and it should have a maximum ambient temperature of 45°C (113°F).

Material of construction

1. Wetted components of the VNX module consist of: PVC (adapters), nylon/ABS, polypropylene, silicone, ion-selective membranes, ion exchange resins and thermoplastic elastomer.
2. Housing is fiberglass reinforced plastic (FRP). Standard color is white with glossy finish. Custom colors and labeling are available.
3. The proprietary Flexmount™ bracket/end-block assembly is an epoxy painted aluminum casting suitable for securing modules to the frames and/or each other in Ionpure® system approved configurations.

Quality Assurance Standards

CE marked. Each module is factory tested to meet strict industry standards and is manufactured in an ISO 9001 and ISO 14000 quality and environmental management system.

Halal Certification. All Ionpure modules are manufactured in accordance with the Islamic Food and Nutrition Council of America standards (IFANCA), and will carry the Crescent M Halal logo.

Ordering Information

1. Use model number IP-VNX55EP-2 (W3T327396) when ordering for vertical or horizontal installation.
2. Each VNX module has four process connections: feed, concentrate feed, product and reject. Non-metric PVC adapters (with dust covers) and plugs are provided with the module. Metric 3-part polypropylene adapters are available as an option.
3. Module electrical power connections are made through an on-board junction box.

Maximum Feed Water Specifications	
Feed water conductivity equivalent, Including CO ₂ and Silica	< 40 µS/cm
Feed water source	RO permeate
Temperature	40 - 113°F (5 - 45°C)
Inlet pressure	20 - 100 psi (1.4 - 7 bar)
Maximum total chlorine (as Cl ₂)	< 0.02 ppm
Iron (Fe)	< 0.01 ppm
Manganese (Mn)	< 0.01 ppm
Sulphide (S ⁻)	< 0.01 ppm
pH	4 - 11
Total hardness (as CaCO ₃)	< 1.0 ppm
Dissolved organics (TOC as C)	< 0.5 ppm
Silica (SiO ₂)	< 1.0 ppm

Typical Module Performance

Operating Parameters	
Recovery	90 - 95%
Flow rate: minimum	25.0 gpm (5.7 m ³ /h)
Flow rate: nominal	55 gpm (12.5 m ³ /h)
Flow rate: maximum	82.5 gpm (18.7 m ³ /h)
DC voltage	0 - 300
DC amperage	2 - 13.2

Product Water Quality	
Product resistivity - RO permeate	> 17 MΩ-cm*
Product resistivity - DI permeate	> 18 MΩ-cm*
Silica (SiO ₂) removal	≥ 95%
Boron (B) removal	≥ 95%
Sodium (Na) removal	99.8%
Chloride (Cl) removal	99.8%

*Actual performance may be determined using the IP-Pro projection software available from Ionpure.

Physical Specifications					
Diameter	Width	Height	Length	Shipping Weight	Operating weight
17.5" (44.45 cm)	20.0" (50.8 cm)	20.0" (50.8 cm)	84.0" (213.3 cm)	610 lbs (276.7 kg)	825 lbs (374.2 kg)

Pure Water Group

Korte Hei 3
4714 RD Sprundel
Tel. +31 165 348 253
Fax +31 165 348 254
info@purewatergroup.com

Ionpure and Flexmount are trademarks of Evoqua, its subsidiaries or affiliates.

The information provided in this literature contains merely general descriptions or characteristics of performance which in actual case of use do not always apply as described or which may change as a result of further development of the products. An obligation to provide the respective characteristics shall only exist if expressly agreed in terms and of the contract