



VEEDER-ROOT

PETROLEUM PRODUCTS

7887 METER REGISTER

NEW DESIGN . . . For

- ✓ GREATER RELIABILITY
- ✓ HIGHER SPEED

Designed for maximum readability — engineered for extra life in fuel deliveries and fluid flow transactions of all kinds.

- New crisp, high visibility digital display for optimum readability in all ambient lighting.
- Latest technology, modern materials give maximum dependability at speeds to 250 rpm of right wheel.
- Positive action knob reset.
- Built-in precision totalizer accumulates up to 99,999,999 units.
- Acetal resin components for smooth operation and extra long life.
- Fits all popular flow meters.



DESCRIPTION

The 7887 Meter Register totalizes and displays high speed deliveries and transactions in large easy-to-read figures. Ideal for increased efficiency in all kinds of liquid inventory and delivery operations. Utilizing a geared drive available in a wide selection of ratios, the Meter Register records in practically any unit of liquid measure — gallons, litres, barrels, etc. — as well as non-liquid units.

Special optional adaptors are available to mate the Meter Register with all standard meters and pumps. It also easily combines with Veeder-Root Meter Preset and Printer to form a complete count, control and print system.

Finished in corrosion resistant epoxy, the sturdy housing protects the Meter Register in demanding environments and extremes in weather.

APPLICATIONS

The Meter Register is the outstanding choice for recording and displaying delivery data in a wide variety of industries. In the petroleum refining and distribution field, it is used from the well to pipelines and storage centers, then to gasoline and fuel oil delivery trucks. In the chemical processing field, it can be used for displaying totals during mixing and batching operations.

SPECIFICATIONS

Specifications listed are standard unless otherwise noted. Optional features are available at additional cost.

Speed: 250 rpm of right Register wheel.

Drive Torque: During counting, average running torque at room temperature with a 1:1 ratio gear plate is 4 oz.-in. (2.8 N·cm). During display wheel transfer from all 9's to all 0's, the torque may reach 16 oz.-in. (11.3 N·cm).

Number of Figures: Delivery display: 5. Totalizer: 8

Size of Figures: Delivery display: 0.750" high, 0.400" wide (19.05, 10.16 mm). Totalizer: 0.125" high, 0.078" wide (3.18, 1.98 mm).

Color of Figures: White on black, except black on white right totalizer wheel designating tenths. Others optional.

Character Configuration: 0 to 9. Models available with tenths indicated by decimal point. Options available.

Reset: Knob.

Operating Temperature Range: -40° to +71°C (-40° to +160° F).

Style of Figures: Veeder-Root/Cornell for optimum readability of all primary displays.

Mounting: Eight 1/4 × 28 tapped holes with steel inserts on 6-5/8" (168.275 mm) diameter. Special adaptors are available to convert nearly all meters to accept this register.

Construction: Cover: cast aluminum. Sub-frames and case: cast Zamak. Wheels, pinions and clutch: acetal resin.

Gearing: 1:1 is standard. 1:1 through 42:1 are available.

Lubrication: Periodic.

Rated Life: 50,000 reset cycles or 25,000,000 revolutions of right wheel, whichever comes first, under normal operating conditions.

OPTIONS

Mounting Adaptors: Nearly any meter can be converted to accept the Series 7887 Register.

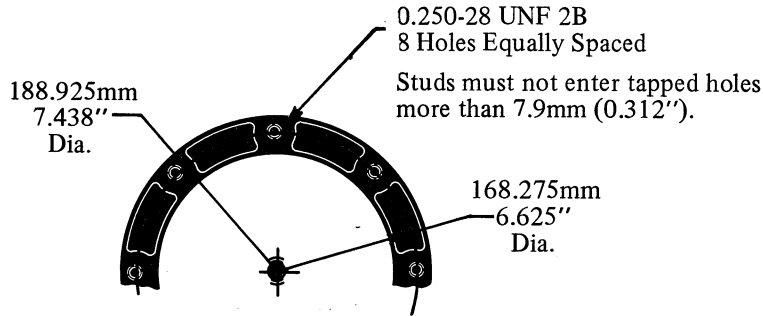
Other Options: Special character configurations, colors and gearing options are available. Meter Register may be combined with a Meter Preset and Zero Start or Accumulative Printer to form a complete count, control and print system.

MODELS

Description: Per above Standard Specifications:

Register: Gallons	Form Number 788700-001
Register: Tenths of Gallons	788700-002

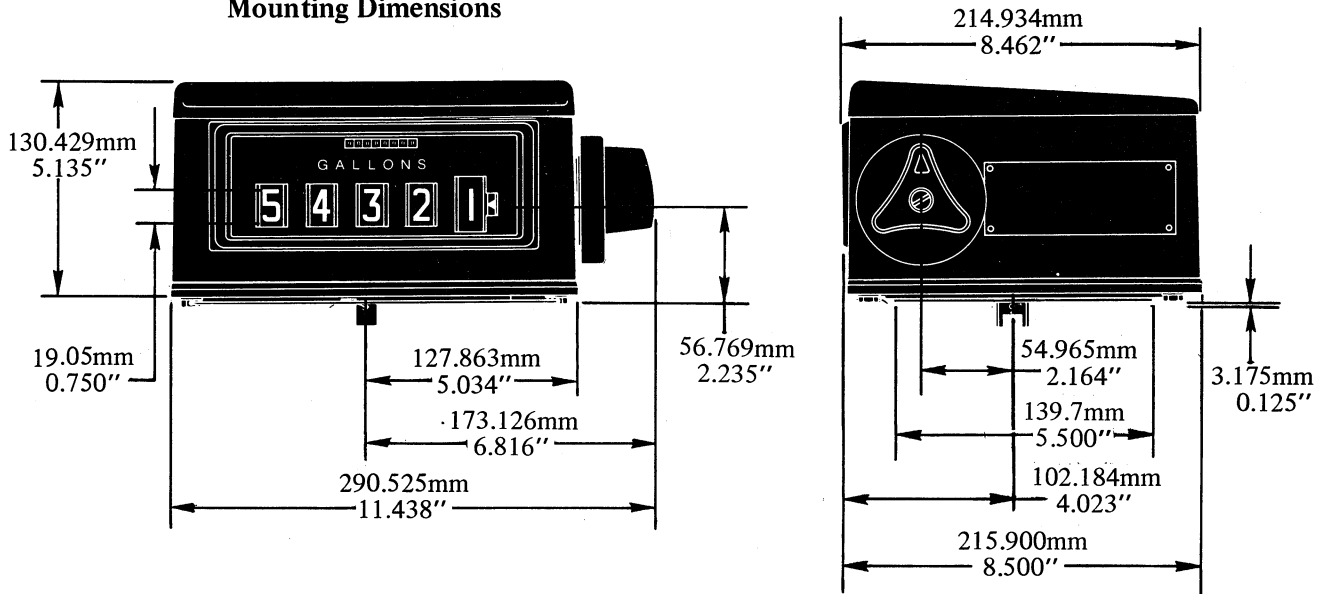
DIMENSIONS



Mounting Dimensions

Dimension Identification

Millimeters	mm
Decimal Inch	inch



Information for guidance only. For current specifications and dimensions, or possible modifications, let our engineers assist you.

