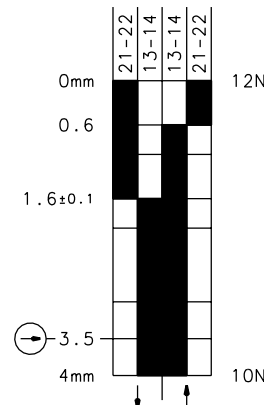
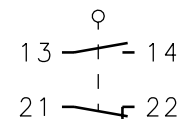
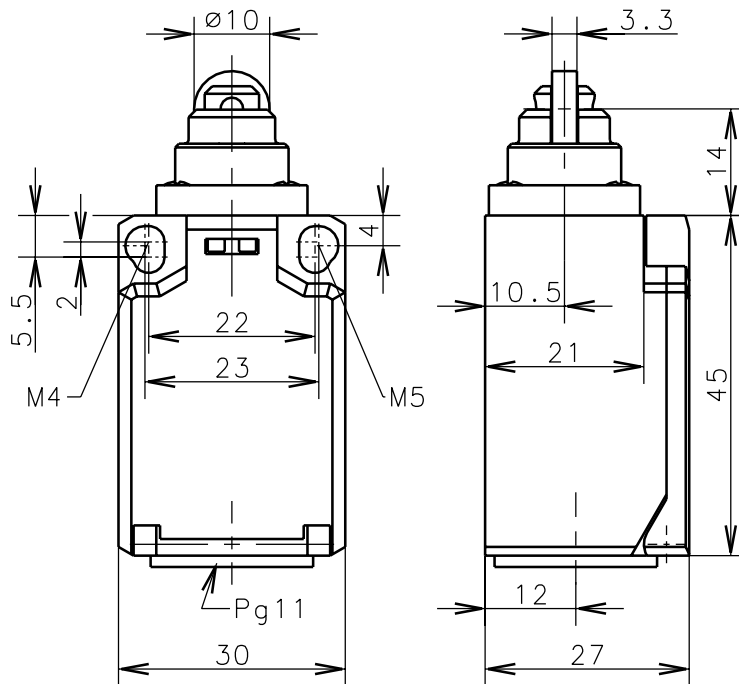


**Bernstein**Bernstein AG
Postfach 1164
D-32437 Porto Westfalica**Technical data sheet**

Ti2-SU1Z RiW VS 618.8167.021

Positive opening
operation according
to DIN EN 60947-5-1
IEC 947-5-1Switching
diagramSwitching
symbolTolerance: operating point $\pm 0.25\text{mm}$; actuating force $\pm 10\%$ Schutzvermerk nach DIN 34 beachten
Copyright reserved

26.06.2000

Mechanical features

Enclosure: PBT, glass fibre reinforced
 Cover: PA6.6, black
 Actuator: Roller (Thermoplast)

Ambient air temperature: -30°C up to $+80^{\circ}\text{C}$
 Contact type: 1 NC-contact, 1 NO-contact (Zb)

Mechanical life:
 Switch frequency: max. 100/min
 Mounting: 2xM4 or 2xM5 fixed positioning for safety applications
 Connection type: 4 screw connections (M3.5)
 Conductor cross-section: single core $0.5\text{-}1.5\text{mm}^2$ / litz wire with connector sleeve $0.5\text{-}1.5\text{mm}^2$
 Cable entry size: 1 x Pg11
 Weight: approx. 0,05kg

Electrical features

Max. voltage: 250 V AC
 Max. enduring current: 1 th 10A
 Max. inrush current: according to IEC 947-5-1
 Utilization categorie: AC 15,A300 240V/3A, 120V/6A / DC 13,Q300 250V/0.27A, 125V/0.55A
 Standards: according to EN 60947-1; EN 60947-5-1
 Protection class (IP-Code): IP65 according to EN 60529; DIN VDE 0470 T1
 CSA/UL: 10A 300V AC, A300
 Short circuit protection: Fuse 6A gL

Approach possibilities

Actuator not re-arrangeble

Remarks

The moving parts should be oiled periodically.
 The planned protection class (IP-Code) is valid only at closed cover
 and when using an at least equivalent cable gland.