



3 Relay Alarms



Float Charger



Tempco



LVD

SR100Hi Series 100 W DC UPS

POINTS OF DIFFERENCE

- Separate outputs for load and battery.
- Battery detection—regular battery presence and battery circuit integrity checks.
- Battery deep discharge protection.
- Power loss & battery system alarms
- No transition switching to backup battery
- Rugged design and construction for long life and challenging environments

DC Output

Model	Output (V)	PSU Rated (A)	Charge Limit (A)	Recomm. Load (A)	Peak load on power fail (A)
SR100Hi12	13.8	7.5	7.5	6	11
SR100Hi24	27.6	3.7	3.7	3	5.5
SR100Hi30	34.5	2.9	2.9	2.3	4.3
SR100Hi36	41.4	2.4	2.4	1.9	3.6
SR100Hi48	55.2	1.9	1.9	1.5	2.8

SERIES TABLE

APPLICATIONS

- Security - Access Control
- Industrial Processes
- Switching Protection
- SCADA
- Radio Repeaters - Remote Sites

GENERAL SPECIFICATIONS

Output power	100W
Input Voltage	180V - 264VAC 45-65Hz
Output Voltages	12V, 24V, 30V, 36V, 48 VDC
Voltage Adj. Range	85% - 105% of Vout
Overcurrent protection	Constant current limit under overload and short circuit conditions
Isolation	Input – earth – 2.5KVdc Output – earth - 500Vdc
Efficiency	> 85%
Operating temperature	-20 to 50 °C ambient at full load
Humidity	0 - 95% relative humidity non - condensing
Cooling	Natural convection
LVD	Low Voltage Disconnect
LED Indication	Green: Batt OK Green: Power OK
Alarms Relay	Form C contacts 30VDC, 2A/110VDC, 0.3A, 125VAC, 0.5A AUX (Activated by BCT) POWER (main fails, PSU fails) BATTERY (batt missing, batt low, BCT fail)
Temp. Compensation	Temperature sensor on 1.7m lead with adhesive pad: -4mV/ °C / cell ± 10%
Battery Charge Current Limit	Customizable on request.
Reverse Polarity	Battery reverse connection will open internal fuse (and produce alarm)
Battery Monitoring	Detects for presence of battery on start up, then every 60 minutes when charge current < 200mA
Battery Circuit Protection	Electronic circuit breaker (ECB) operates under the following conditions: - <i>Low Battery Volts:</i> Battery Voltage drops to 1.67V/cell - <i>Overload:</i> Max load must not exceed 110% of rated current. Peak loads must be connected to B+ & B- terminals - <i>Short Circuit:</i> <2ms, backed up by fuse

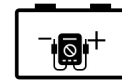
OPTIONAL FEATURES



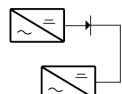
Comms



Digital I/O



BCT



N+1 Redundancy

Optional Input Voltage	88 - 132 VAC
Communication Port	<ul style="list-style-type: none"> • RS232 (ASCII) • RS485 (ASCII) • Modbus RTU • SNMP, Webpages
Digital Inputs/Outputs	Customizable 2 x Inputs and 1 x Input or Output
Battery Condition Test (BCT)	Option auto test enabled on start-up
Mounting	<ul style="list-style-type: none"> • DIN Rail • Standalone • 19" Rack Mount . <i>Optional</i> V/I meter for subrack : <i>SR-Meter</i> • Wall Mount
N+1 Redundancy	Using 2 chargers each with its own battery.
Boost Charger	Customizable feature on request.

OPTIONS

STANDARDS

EMC	To CISPR 22 / EN55022 class A
Safety	To IEC950 / EN60950 / AS/NZS3260

FRONT PANEL & LAYOUT

1. AC INPUT IEC60320 - C13

4. Load & Battery connection

7. Tempco Sensor



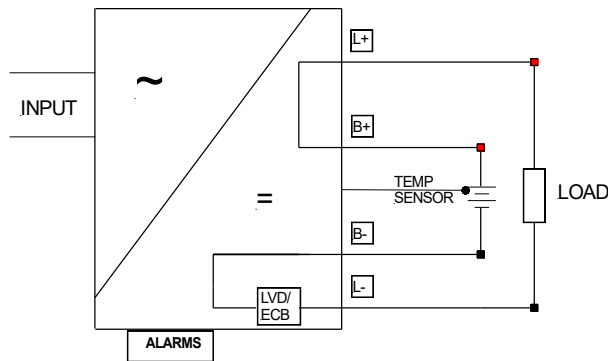
2. Digital Input (3)/Output(1)

3. Alarm Relay Form C (Aux , Power & Battery)

5. LED indications Batt OK and Power OK

6. Comms Port

SCHEMATIC BLOCK DIAGRAM



PHYSICAL

AC input connector	IEC60320— C13 10A input socket (similar to PCs etc)
DC Connections	Plug-in style socket & mating screw terminal block: (max. wire 2.5mm ² / way)
Alarm connections	Plug in screw terminal block
Enclosure	Zinc plated & powder coated steel
Dimensions	147W x 177D x 62H (± 1mm)
Weight	0.95 Kg

ACCESSORIES SUPPLIED

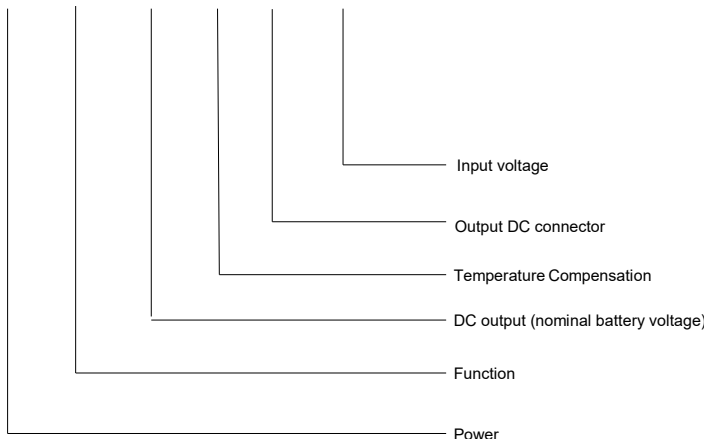
Mounting feet together with screws
AC power cord 1.5 m with IEC60320 socket & AUS/NZ plug
Mating screw terminal plug for DC output
Mating screw terminal plug for alarms

MODEL CODING AND OPTIONS

SR100Hi 12 T X G - 485+

Optional Interface Port

485 = RS485 232 = RS232 LAN+=SNMP-Webpages 485+=Modbus RTU



L = 230V AC with front switch panel Blank = 230V AC no switch G = 110V AC no switch

X = Pluggable connector

T = Yes

Blank = No

12, 24, 30, 36, 48V

HL = DC PSU/charger - 2 terminal output

Hi = No-Break™ DC UPS - 3 terminal output (separate battery output)

100W