

KTU5

- Ultrasonic level transmitter
- Range 0,25-5 / 0,4-8m
- IP66/68 protection
- Suitable for liquids and granules
- Communication port MODBUS
- Power supply Vdc (12,24) ; Vac (24, 115, 230)
- Output: 4 ÷ 20 mA + 2 adjustable relays



Compact ultrasonic instrument for general applications in liquids and bulk solids. Range from 0,25 to 5 m or 0,4 to 8 m. KTU5 has 3 modes of calibration:
by means of on-board buttons;
by means of VL611 module, "DISPLAY REMOTE";
by means of PC with s/w 010F105A MODBUS RTU.

This instrument is ideal for applications which require a compact transmitter without local display. There is a wide choice of supply voltage, 24 Vdc, 24 Vac, 115 Vac or 230 Vac. Two configurable relays allow alarm thresholds and pumps control. A complete self-diagnosis makes it suitable for remote unattended measurements. Another important feature is the body, because it's full manufactured of PP that making it suitable for applications with a acids presence.

TECHNICAL FEATURES

Housing/sensor material

PP

Mechanical installation

2" GAS M (PP flange DN80 opt.)

Protection degree

IP67/IP68 (Sensor)

Electrical connection

Internal push connectors

Working temperature

-30 ÷ +70°C; +80°C non-continuous

Pressure

from 0,5 to 1,5 bar (absolute)

Power supply

12; 24Vdc - 24; 115; 230 Vac

Power consumption

2W

Analog output

4...20mA, max 750ohm

Relays output

n°2 3A 230Vac (n.o.)

Digital communication

MODBUS RTU

Max measure range

max 0.25 ÷ 5m

max 0.40 ÷ 8m

In case of non perfectly reflecting surfaces, the maximum distance value will be reduced

Blind distance

0,25m (5m versions) / 0,40m (8m versions)

Temperature compensation

digital from -30 to 80°C

Accuracy

±0,5% (of the measured distance) not better than ±3mm.

Resolution

1mm.

Calibration

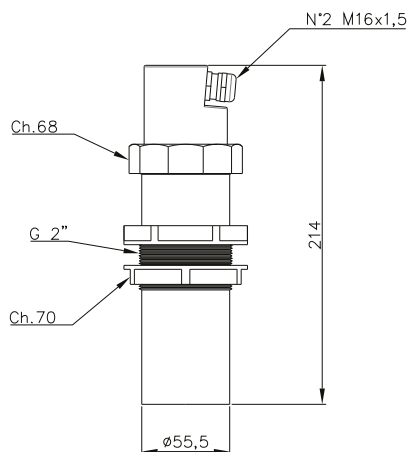
2 buttons or via MODBUS RTU

Warm-up

5 minutes typical

Display

VL611 programming module (opt.) with 4 keys and matrix LCD



KTU5 Level control and measure unit

Ultrasonic - G 2"/PP threaded connection + n.2 2" BSP/ PP fixing bolts
 4÷20mA output with 2 relays for alarms or pumps control
 Calibration by 2 push-buttons, VL611 programming display
 or via MODBUS RTU
 Working temperature: -30 ÷ +70°C

Version	
1	IP66, range 0,25÷5m, with electrical connection by 2 internal plug-in connectors
2	IP68, range 0,25÷5m, with IP68 male connector
3	IP66, range 0,40÷8m, with electrical connection by 2 internal plug-in connectors
4	IP68, range 0,40÷8m, with IP68 male connector
Housing material	
B	PP polypropylene
Z	Special
Power supply	
0	24Vac 50÷60Hz
1	115Vac 50÷60Hz
2	230Vac 50÷60Hz
4	24Vdc
5	12Vdc Attention! Max distance 3 m (only for version 1)
9	Special
Accessories	
A	None
C	DN80 PN6 UNI 1092-1 / PP flange (600J001T)
D	VL611 keyboard/display programming module (VL611SGM) with 1,5 m cable
S	S/W for communication MODBUS (010F105A)
T	Couple of 5m cables with IP68 female connector (for versions 2 and 4)
U	Couple of 10m cables with IP68 female connector (for versions 2 and 4)
V	Couple of 15m cables with IP68 female connector (for versions 2 and 4)
W	Couple of 20m cables with IP68 female connector (for versions 2 and 4)
Z	Special