

Characteristics

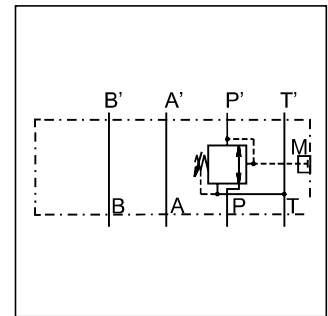
Series PRDM are direct operated pressure reducing valves to regulate pressure in one area of a hydraulic circuit at a predetermined level below normal system pressure. Additionally, an integral pressure relieving function for the secondary reduced pressure circuit is incorporated into the design.

Function

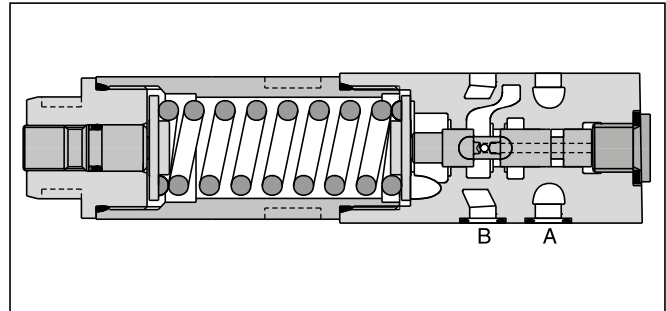
These valves are "normally open" devices that allow fluid to flow through the controlled port during their non-actuated or "at rest" condition. When downstream pressure exceeds the value set by the spring force, the control piston moves off its seat, closing off the flow path and thus reducing the fluid passing through from the main system. The cushioned piston modulates to maintain the preset pressure in this branch of the hydraulic circuit. If, due to external forces, the pressure continues to rise in this branch circuit, the piston will keep moving against the spring force allowing fluid to be drained to the tank, thereby limiting maximum pressure to the valve's setting.

Features

- 3-way design for pressure relieving of the secondary side
- The direct operated, cushioned piston design results in fast response, low leakage and minimal hysteresis.
- Reduced pressure in the 'P', 'A' or 'B' port.
- Pressure settings:
25, 70, 160, 210, 350 bar for PRDM2,
19, 50, 100, 150, 210 bar for PRDM3.
- Gauge port
- PRDM2 - NG06 (CETOP 03)
- PRDM3 - NG10 (CETOP 05)

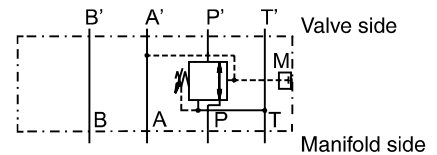


Example PP

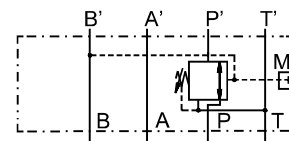


7

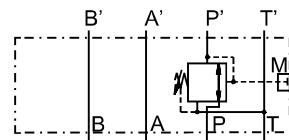
**Schematics
PRDM*AA**



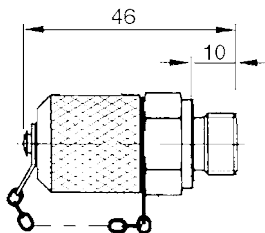
PRDM*BB



PRDM*PP

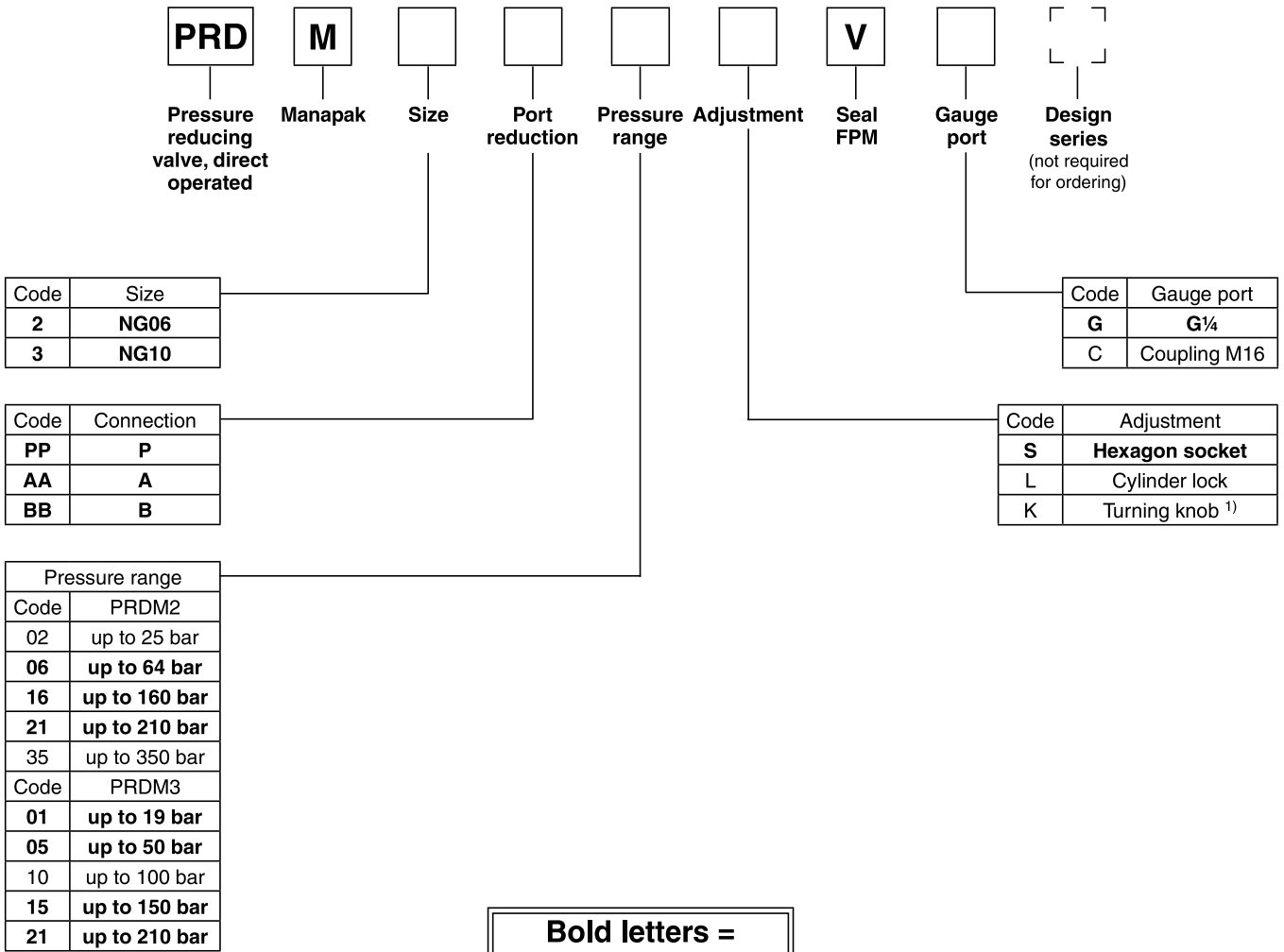


Gauge port option C



Ordering Code / Technical Data

Ordering code



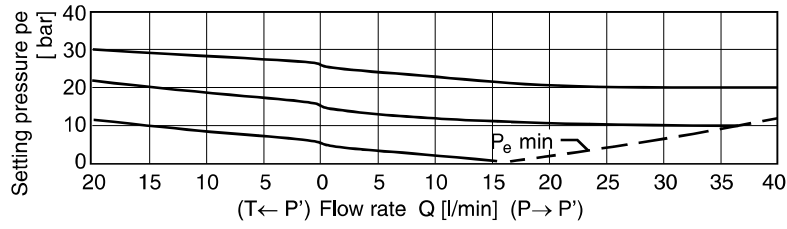
Bold letters =
Short-term availability

¹⁾ NG06 only.

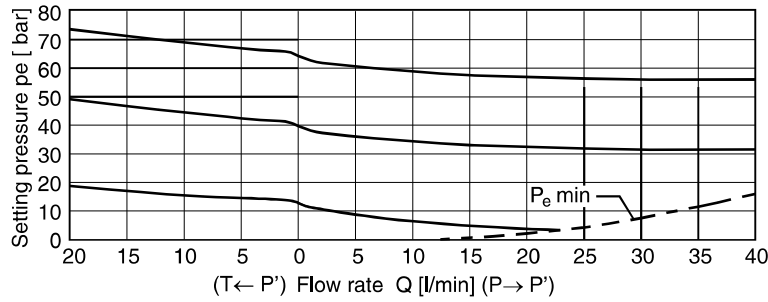
Technical data

General			PRDM2	PRDM3
Series			PRDM2	PRDM3
Size			NG06	NG10
Mounting interface			ISO 4401	
Ambient temperature	[°C]		-20...+60	
Weight	[kg]		1.3	2.6
MTTF _D value	[years]		150	
Hydraulic				
Max. operating pressure	P, A, B T	[bar]	350 50	315 50
Fluid			Hydraulic oil according to DIN 51524	
Fluid temperature	[°C]		-20...+70	
Viscosity, permitted	[cSt] / [mm²/s]		20 ... 400	
Viscosity, recommended	[cSt] / [mm²/s]		30 ... 80	
Filtration			ISO 4406 (1999); 18/16/13	

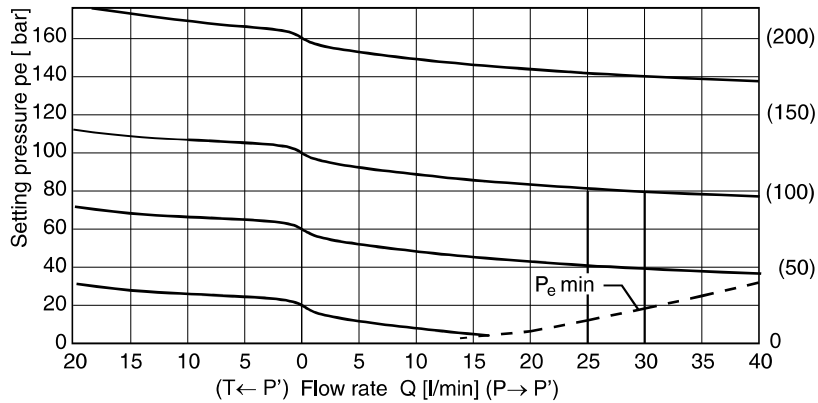
PRDM2 02



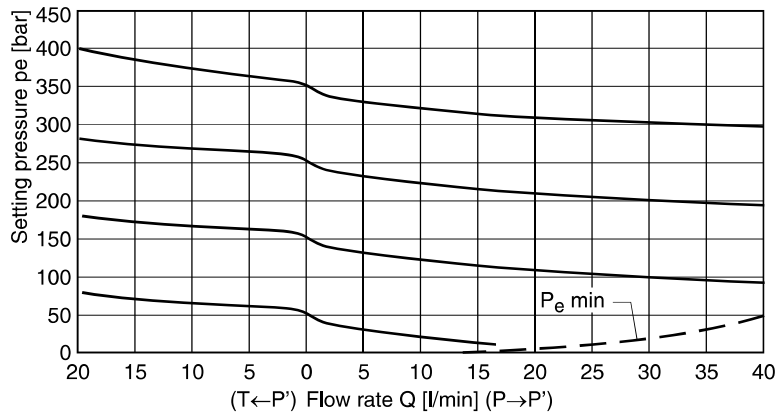
PRDM2 06



PRDM2 16/21

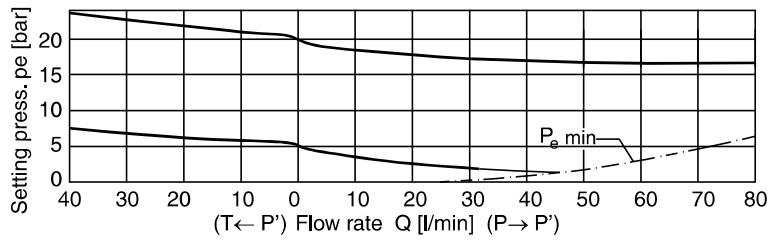


PRDM2 35

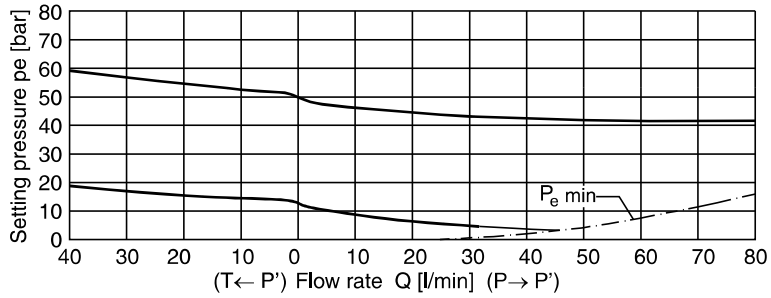


All characteristic curves measured with HLP46 at 50 °C.

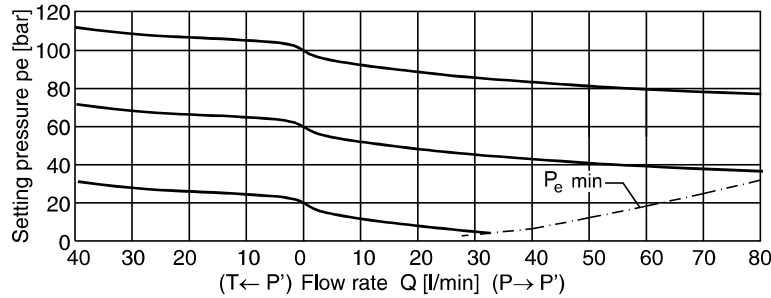
PRDM3 01



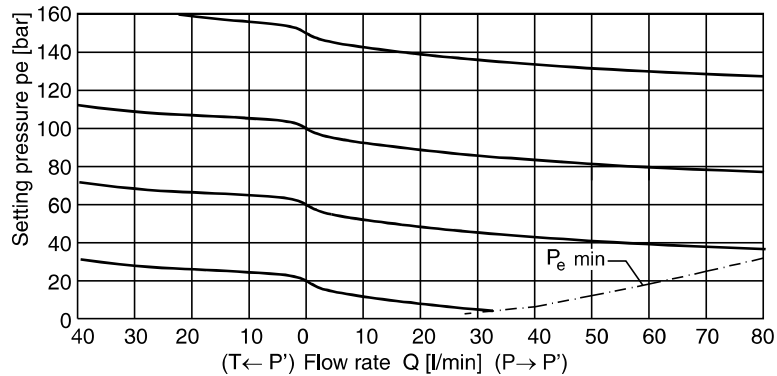
PRDM3 05



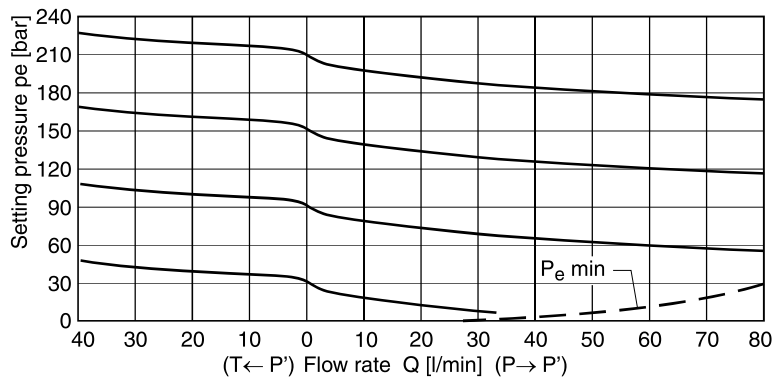
PRDM3 10



PRDM3 15



PRDM3 21



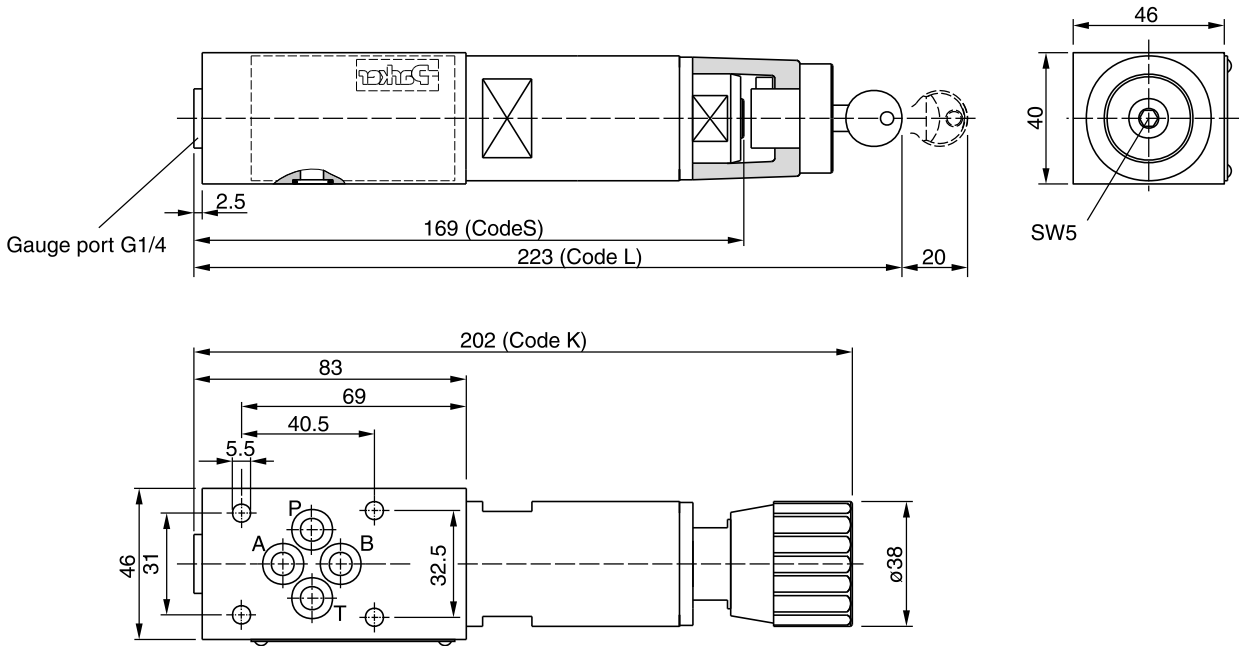
All characteristic curves measured with HLP46 at 50 °C.

PRDM UK.INDD CM 21.08.17

7

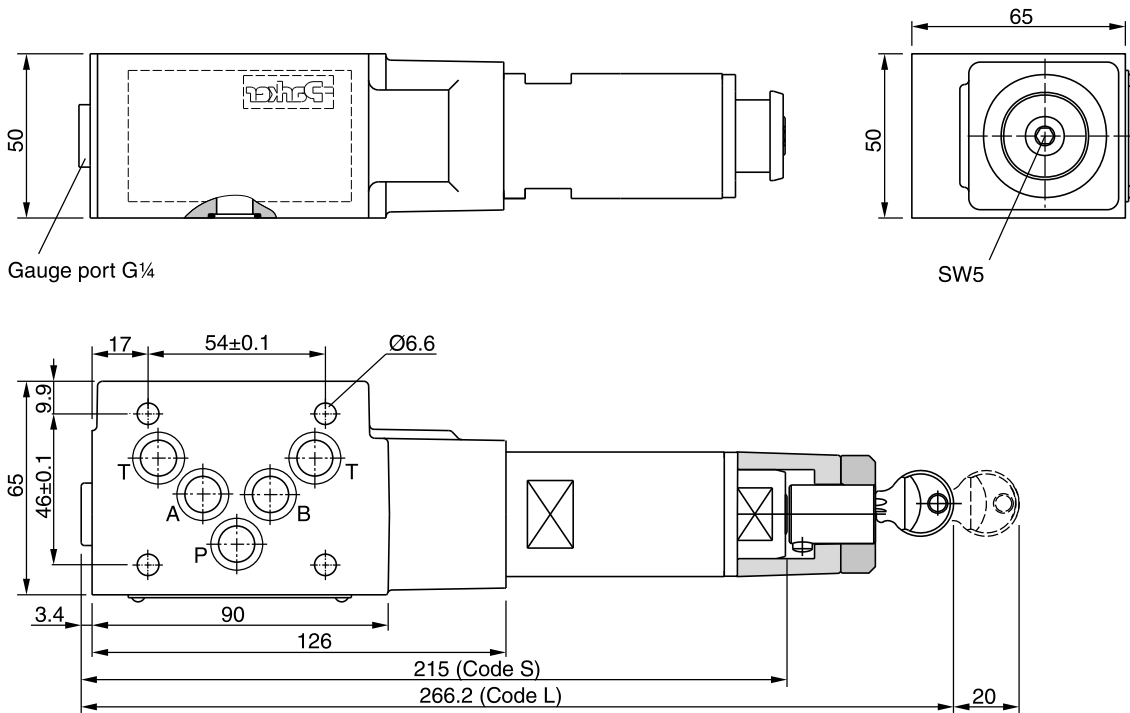
Dimensions

PRDM2



PRDM3

7



Seal kit order code		
Seal	PRDM2	PRDM3
V	SK-PRDM2-V	SK-PRDM3-V

