

# HITPOINT

TEL:8862-26013311

FAX:8862-26013898

NO.4 Lane 505, Zhongzheng Rd., Linkou Shiang, Taipei, Taiwan 24445 . R.O.C

## PK-35N29EPQ

(RoHS)

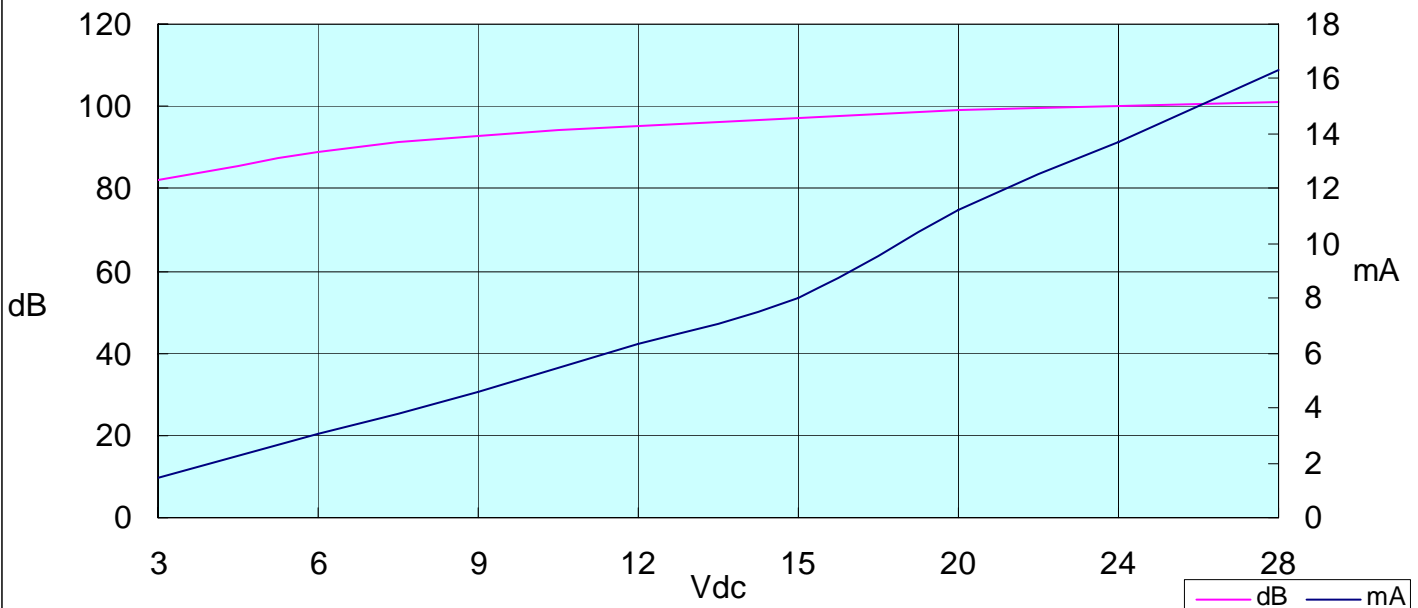
DATE:2005.01.11

### 1 . Electrical Characteristics

VER.:0

Oscillation Frequency (KHz)	2.9 ±0.5
Operating Voltage (Vdc)	3 ~ 28
Rated Voltage (Vdc)	12
Current Consumption (mA/max.)	8 at Rated Voltage
Sound Pressure Level (dB/min.)	90 at 30cm at Rated Voltage
Tone/Pulse Rate	Constant
Operating Temperature (°C)	-20 ~ +70
Storage Temperature (°C)	-30 ~ +80
Manual soldering conditions	350±20°C / within 5sec

### 2 . Voltage/ Current / Sound Pressure





# HITPOINT

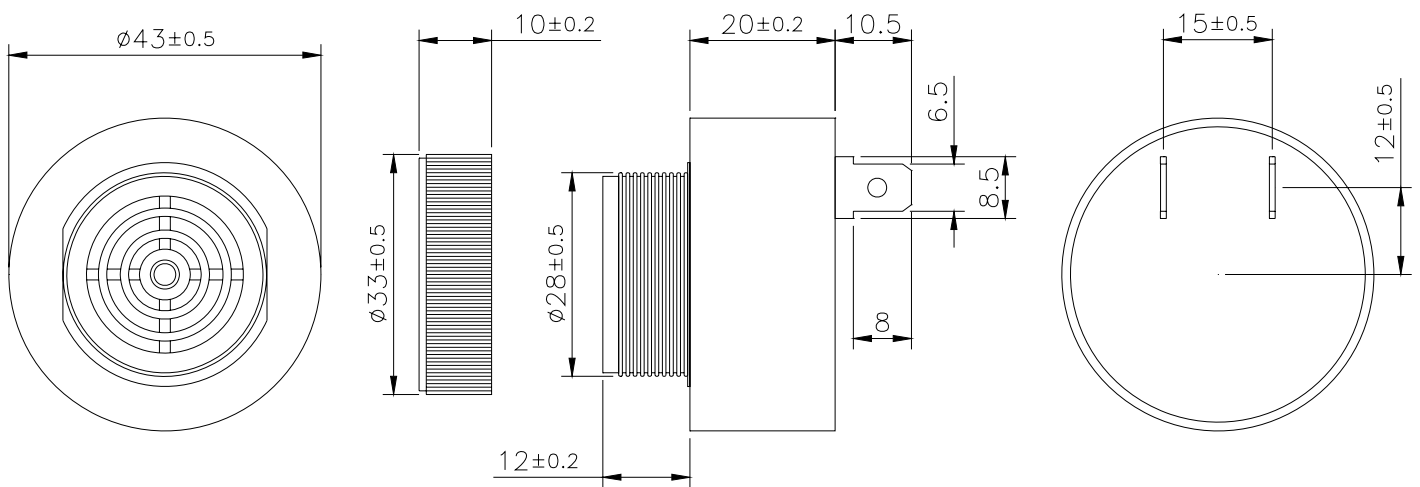
TEL:8862-26013311

FAX:8862-26013898

NO.4 Lane 505, Zhongzheng Rd., Linkou Shiang, Taipei, Taiwan 24445 . R.O.C

### 3 . Dimensions and Material

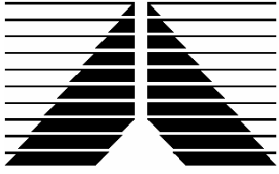
#### 3-1 Shape



Unit : mm

#### 3-2 Material

Housing	ABS 757 UL94HB plastic resin (Color : Black)
Leading Pin	Tin Plated Brass
Weight (Gram)	34.8



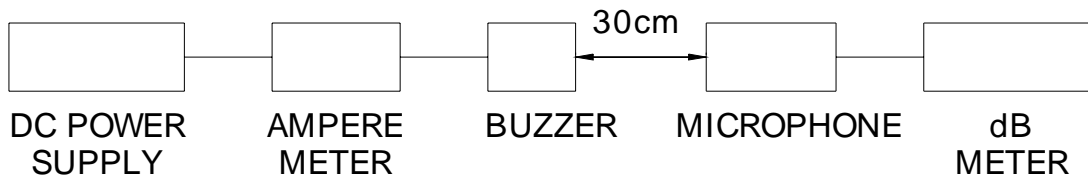
## 4. TESTING METHOD

### • *Standard Measurement conditions*

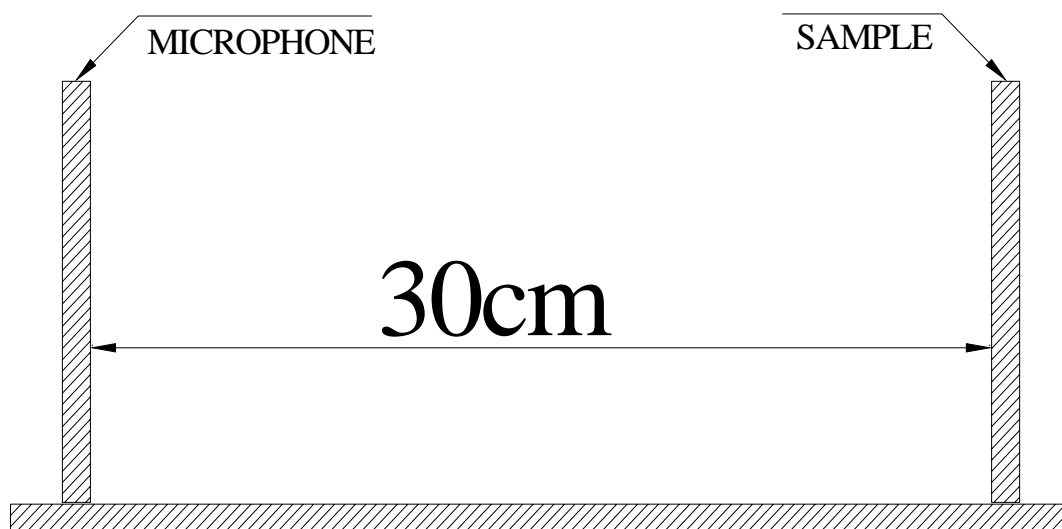
*Temperature:25±2°C Humidity:45-60%*

### • *Acoustic Characteristics*

*The oscillation frequency, current consumption and sound pressure are measured by the measuring instruments shown below.*



*In the measuring test, buzzer is placed as follows:*





# HITPOINT

TEL:8862-26013311

FAX:8862-26013898

NO.4 Lane 505, Zhongzheng Rd., Linkou Shiang, Taipei, Taiwan 24445 . R.O.C

## 5. RELIABILITY

<b>ITEMS</b>	<b>METHOD OF TEST AND MEASUREMENTS</b>	<b>PERFORMANCE</b>
Coldness withstanding	After 98 hours of being exposed to -30℃ environment, should be returned to normal environment for 2 hours, then re-proceed to test.	No abnormality shall exist
Hotness withstanding	After 98 hours of being exposed to +80℃ environment, should be returned to normal environment for 2 hours, then re-proceed to test.	No abnormality shall exist
Humidity withstanding	After 98 hours of being exposed to 40℃ 95%RH environment in actual operation, should be returned to normal environment for 2 hours, then re-proceed to test.	No abnormality shall exist
Durability	Testing after 1,000 hours actual continuous operation.(at standard measurement conditions)	No abnormality shall exist
Drop withstanding	A natural drop from 75cm high down to the ground.	No abnormality shall exist
Vibration withstanding	Vibration of 2,000 cycles per minute, 2mm amplitude, applied in X, Y and Z directions for 30 minutes each.	No abnormality shall exist

## 6. PACKAGE METHOD

<1> 40pcs per box , Total 10 boxes per carton , total 400pcs carton;  
Volume: L\*W\*H=510\*330\*300mm

< 2 > RoHS Mark

