

LIMITED RIGHTS
 THESE PORTIONS OF THIS TECHNICAL DATA INDICATED AS LIMITED RIGHTS SHALL NOT, WITHOUT THE WRITTEN PERMISSION OF KAVLICO, BE EITHER (A) USED, RELEASED OR DISCLOSED IN WHOLE OR IN PART OUTSIDE OF THE GOVERNMENT, BE USED BY WHOLE OR IN PART BY THE GOVERNMENT FOR MANUFACTURE, OF IN THE CASE OF COMPUTER SOFTWARE DOCUMENTATION, FOR PREPARING THE SAME OR SIMILAR COMPUTER SOFTWARE, OR (C) USED BY A PARTY OTHER THAN THE GOVERNMENT, EXCEPT FOR (1) EMERGENCY REPAIR OR OVERHAUL WORK ONLY BY OR FOR THE GOVERNMENT, WHERE THE RELEASE OR DISCLOSURE IS NOT OTHERWISE REASONABLY AVAILABLE TO ENABLE THE PERFORMANCE OF THE WORK, PROVIDED THAT THE RELEASE OR DISCLOSURE HEREOF OUTSIDE THE GOVERNMENT SHALL BE MADE SUBJECT TO A PROHIBITION AGAINST FURTHER USE, RELEASE OR DISCLOSURE OR BE RELEASED TO A FOREIGN GOVERNMENT, AS THE INTEREST OF UNITED STATES MAY REQUIRE, ONLY FOR INFORMATION OR EVALUATION WITHIN SUCH GOVERNMENT OR FOR EMERGENCY REPAIR OR OVERHAUL WORK BY OR FOR SUCH GOVERNMENT UNDER THE CONDITIONS OF (1) ABOVE. THE LEGEND, TOGETHER WITH THE INDICATIONS OF THE PORTIONS OF DATA WHICH ARE SUBJECT TO SUCH LIMITATIONS SHALL BE INCLUDED ON ANY REPRODUCTION HEREOF WHICH INCLUDES ANY PART OF THE PORTIONS SUBJECT TO SUCH LIMITATIONS.

THESE COMMODITIES, TECHNOLOGY OR SOFTWARE IF EXPORTED FROM THE UNITED STATES MUST BE IN ACCORDANCE WITH THE EXPORT ADMINISTRATION REGULATIONS. DIVERSION CONTRARY TO U.S. LAW IS PROHIBITED.

REVISIONS				
ZONE	REV.	DESCRIPTION	DATE	APPROVED
	L	REVISED PER ECO #25667	1/16	[Signature]

GENERAL

STROKE:
 ELECTRICAL..... 0 TO 2.500 INCHES INSERTED.
 MECHANICAL..... 2.5 INCH INSERTED MIN.
 TYPE..... LVDT, SINGLE
 ELECTRICAL INTERFACE..... FLARE TUBE FITTING (37') / MS33656G6
 LEAD WIRES (4)..... 20 AWG, TEFLON.
 CHARACTERISTIC CURVE..... FIGURE 1.

ELECTRICAL

EXCITATION:
 VOLTAGE..... 7.0 VRMS
 FREQUENCY..... 3000 Hz
 WAVE FORM..... SINE
 POWER, APPARENT..... 1.0 VA MAX.
 INPUT IMPEDANCE..... 475 OHMS ±20%
 OUTPUT IMPEDANCE @ 3.5 VOLTS..... 32 OHMS ±20%
 PRIMARY RESISTANCE (RED TO BLK)..... 42 ±8 OHMS
 OUTPUT RESISTANCE (YEL TO BLU)..... 24 ±5 OHMS
 TOTAL RESISTANCE (RED TO BLU)..... 46 ±9 OHMS
 OUTPUT BIAS (BLK TO YEL)..... 0.3000 ±0.01429 V/V (2.100 ±0.100 VRMS)
 TOTAL INDUCTANCE (RED TO BLU)..... 65 mH MAX.
 LOAD..... 10K OHMS
 DIELECTRIC STRENGTH..... 500 VRMS, 60 Hz
 INSULATION RESISTANCE..... 100 MEG OHMS MIN, @ 500 VDC
 PHASING: WITH THE BLK LEAD COMMON, THE VOLTAGE AT BLU SHALL BE INPHASE WITH RED WHEN THE ARMATURE IS EXTENDED PAST NULL AND THE VOLTAGE BETWEEN BLU & YEL SHALL INCREASE AS THE ARMATURE IS INSERTED.

PERFORMANCE

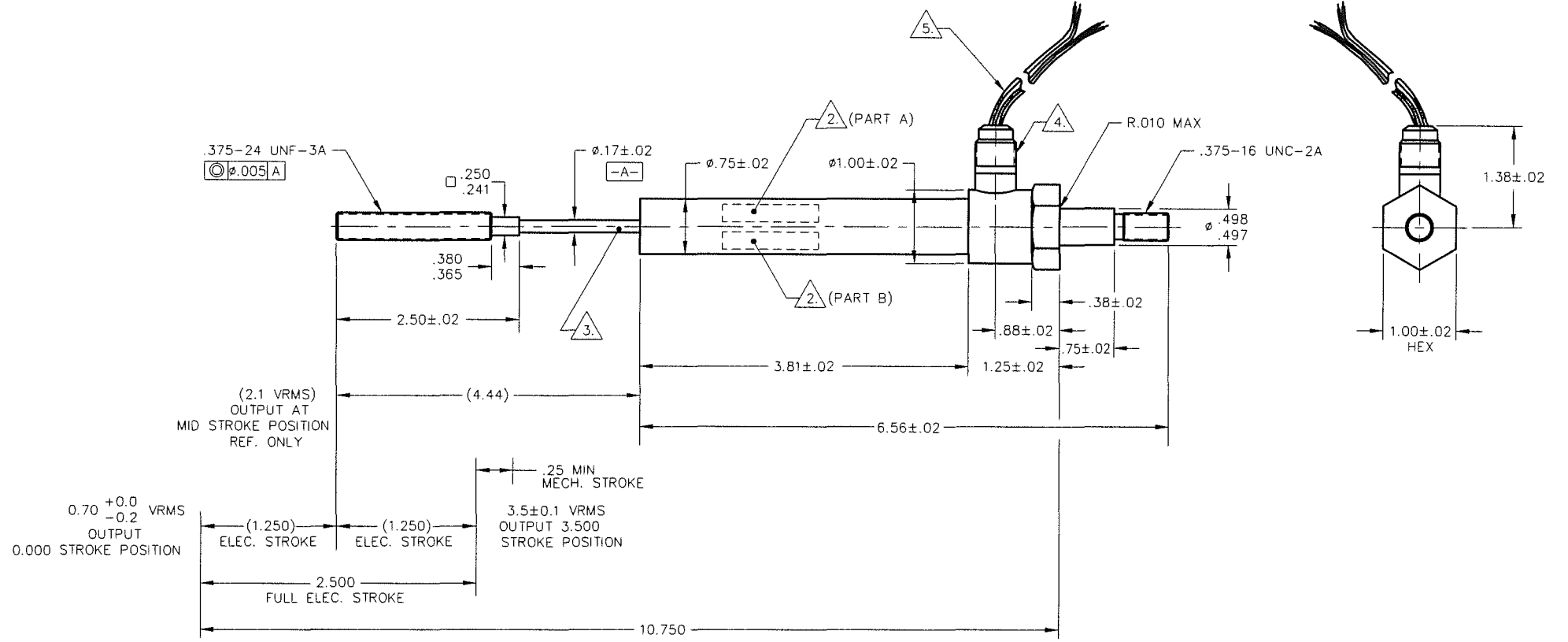
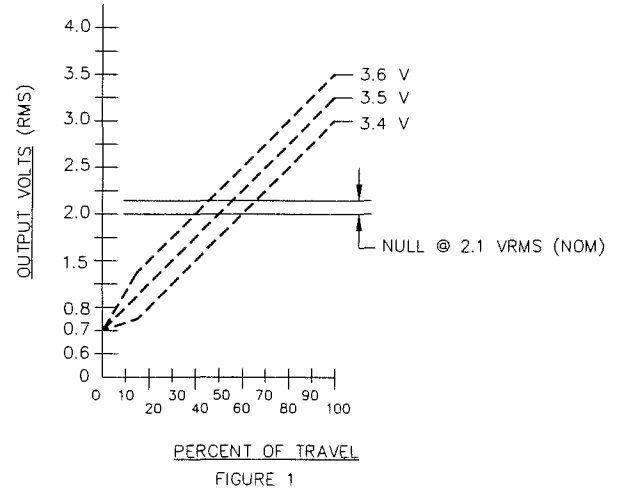
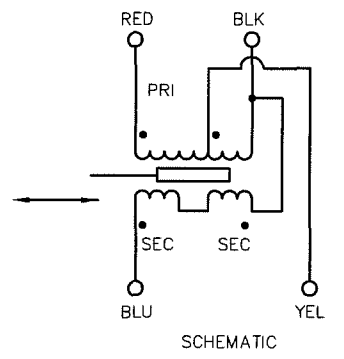
ZERO OFFSET..... [1]..... 0.1000 V/V (0.700 VRMS)
 SENSITIVITY..... [2]..... ±0.1600 V/V/INCH (1.120 V/INCH) +3.0%
 LINEARITY..... [3]..... ±1.0% F.S. MAX. [4]
 NULL VOLTAGE (BLK TO BLU)..... 0.05 VRMS MAX.
 NULL SHIFT..... 2.5% F.S./100' F MAX.
 PHASE SHIFT @ 1.500 INCH..... 10 DEG. MAX.

ENVIRONMENTAL

TEMPERATURE RANGE..... -40 TO +350 DEG.F.
 PRESSURE..... BAROMETRIC
 ENVIRONMENT..... FUEL
 HAZARDOUS ENVIRONMENT RATING..... Ex n IIC T3

[1] ZERO OFFSET IS DEFINED AS THE OUTPUT AT THE ZERO STROKE POSITION WHEN THE OUTPUT (YEL TO BLU) IS TAKEN AS THE RATIO OF THE INPHASE COMPONENTS OF V_{out}/V_{in} .
 [2] SENSITIVITY IS DEFINED AS THE SLOPE OF THE BEST FIT STRAIGHT LINE DRAWN THROUGH THE OUTPUT DATA AND THE OUTPUT IS TAKEN PER NOTE [1].
 [3] LINEARITY IS DEFINED AS THE MAXIMUM ALLOWED DEVIATION OF ANY CALIBRATION POINT FROM THE BEST FIT STRAIGHT LINE DRAWN THROUGH THE DATA WHEN THE OUTPUT IS TAKEN PER NOTE [1].
 [4] F.S. (FULL SCALE) IS DEFINED AS THE END TO END ELECTRICAL RANGE, 2.500 INCHES, AND THE FULL SCALE OUTPUT (F.S.= 0.4000 V/V, 2.800 VOLTS) THE ALGEBRAIC DIFFERENCE BETWEEN THE NOMINAL END POINTS. REF. ISA S37.1-1975.

- NOTES:
 1. DESIGNED TO CONFORM TO G.E. SPEC NO. 311A5178 AMD 361A5813 AND DWG NO. 232B8905.
 2. ELECTRO ETCH IDENTIFICATION ON HOUSING PER KAVLICO DRAWING 31-1521, (BOTH PART A & PART B).
 3. ETCH SAME S/N ON ARMATURE ASSY.
 4. FITTING END PER MS33656G6.
 5. LEADWIRES PER MIL-W-22759/11, 20 AWG, 72-78 INCHES LONG.
 6. DIAMETRICAL CLEARANCE BETWEEN ARMATURE AND COIL BORE SHALL BE .025 MIN.
 7. ALL CERTIFICATION TESTING WAS CONDUCTED @ AMBIENT ROOM TEMPERATURE.



"NO REVISION CHANGES ALLOWED WITHOUT PRIOR I.T.S. REVIEW AND APPROVAL"

ITEM NO.	QTY REQD	PART OR IDENTIFYING NO.	DESCRIPTION	NOTE
1	1	1-7208	TRANSDUCER ASSY	

REMOVE BURRS AND BREAK SHARP EDGES.	ALL DIMENSIONS ARE IN INCH	DRAWN	P.LAKIN	09/82
MACHINED FLEET RADII TO BE	DIMENSIONING & TOLERANCING PER ANSI Y14.5	CHECKED	D.S.JOLY	09/82
DIAMETERS ON A COMMON Q	TOL. XX ± .03 FRACT 1/32 XX ± .01 ANG 1/16"	APPROVED	L.MARELLA	10/82
PERPENDICULAR SURFACES TO BE ⊥ WITHIN	FINISH PER LEAS B46.1	APPROVED		
PART TO BE CLEAN AND OIL FREE	TURBOCHARGERS SHALL BE IN ACCORDANCE WITH MIL-S-8819			

UNLESS OTHERWISE SPECIFIED		TITLE		KAVLICO	
SCALE: 1/1		DRAWING NO. 22863		GM7208 L	
		SHEET 1 OF 1			