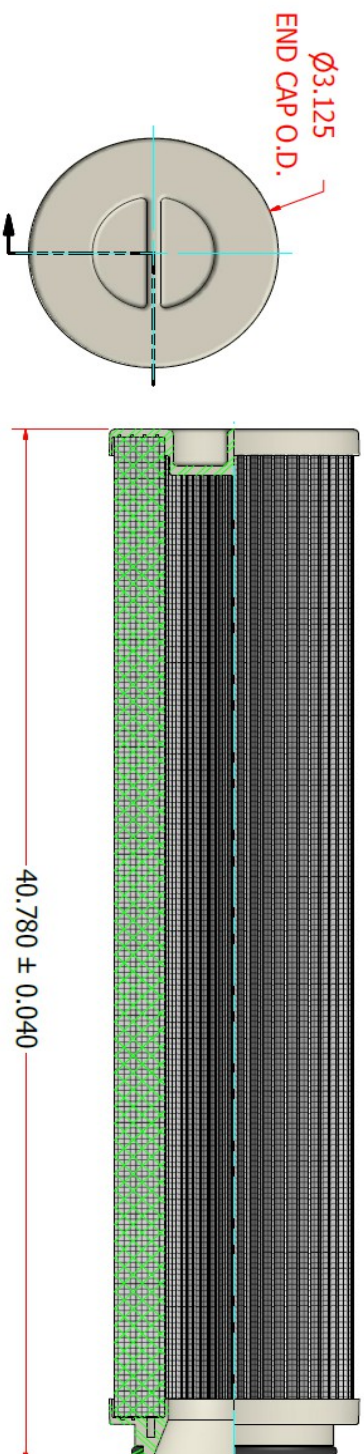


Part #

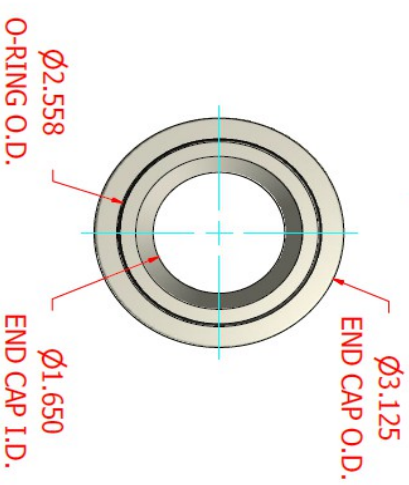
FLK02-18373

06/12/18 CZ



### Component Chart

End caps	Synthetic polyester
Center Tube	Coreless
Pleat Pack	Glass fiber media
Seal	Fluorocarbon (Max Temp: -20°F to 250°F)
Collapse rating	150 = psid
Filtration rating	B 3 = 200 B 5 [c] = 1000



**Fluitek**  
C O R P O R A T I O N

CONFIDENTIAL & PROPRIETARY NOT for REPRODUCTION  
This document is for qualification compliance only and is not to be distributed to any other parties.