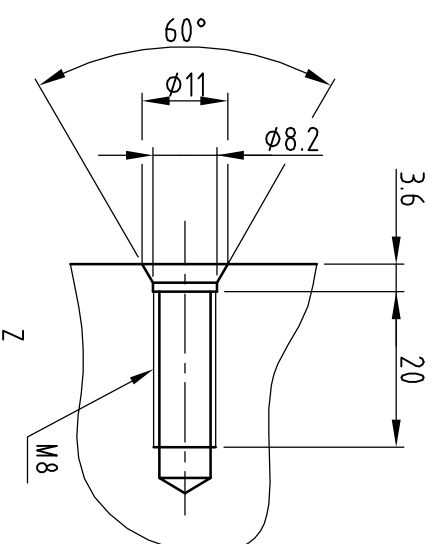
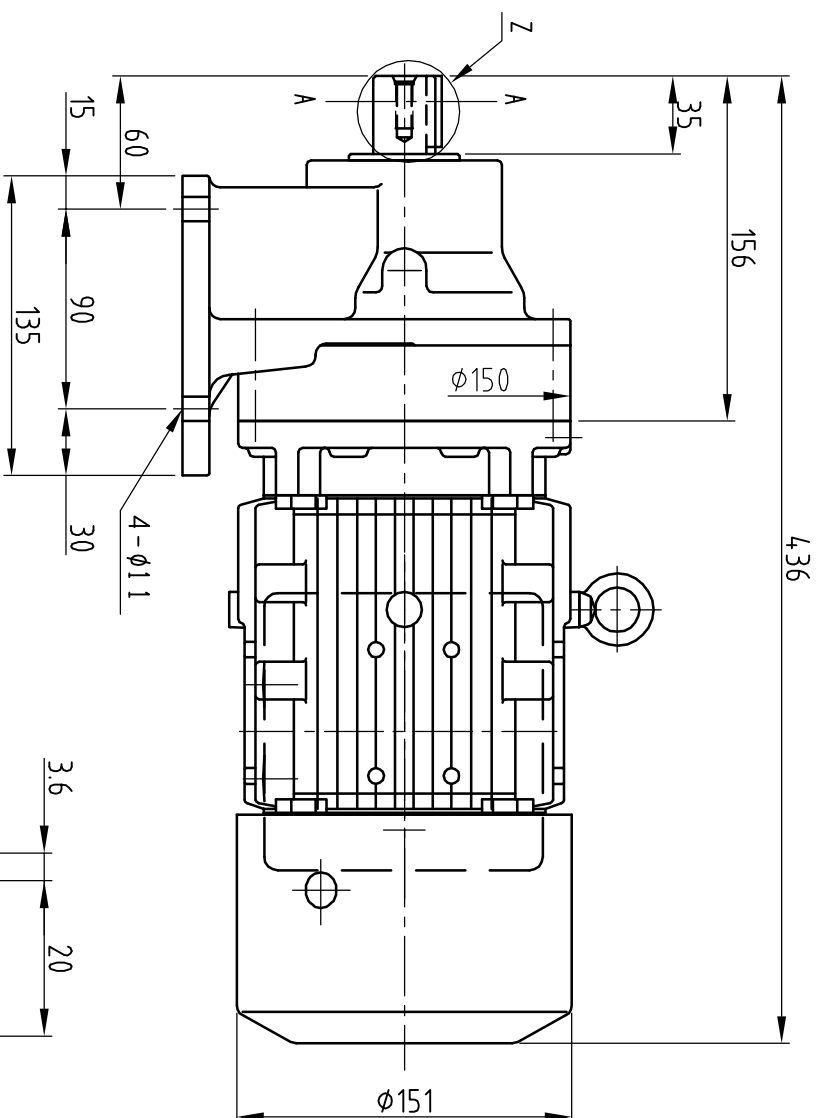
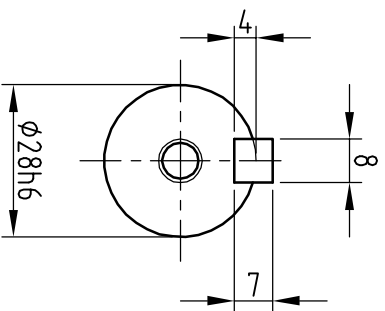
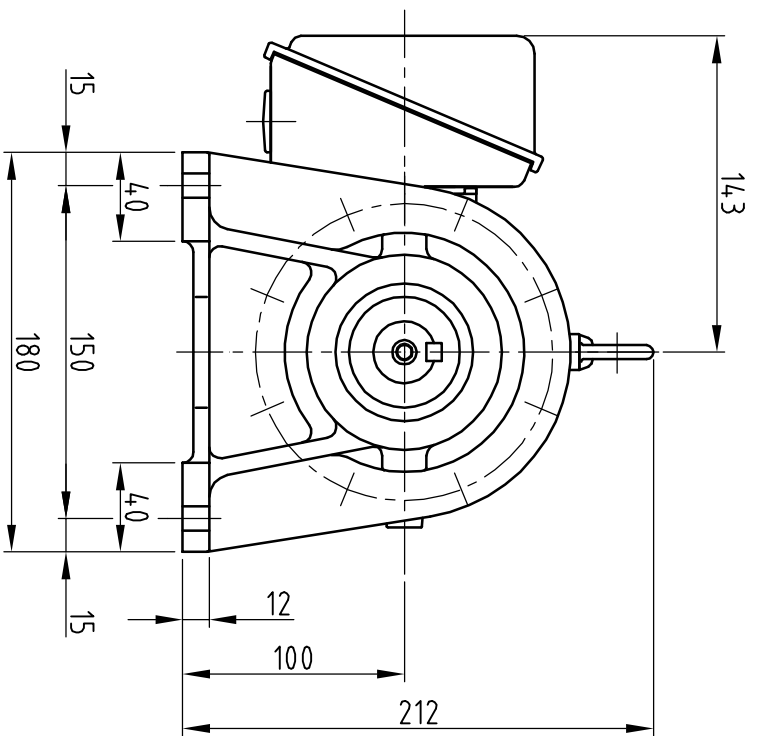


FOR REFERENCE ONLY



Sumitomo Drive Technologies

Sumitomo Heavy Industries, Ltd.

CYCLE DRIVE OUTLINE DRAWING

DWG. NO.

ICG480661G10