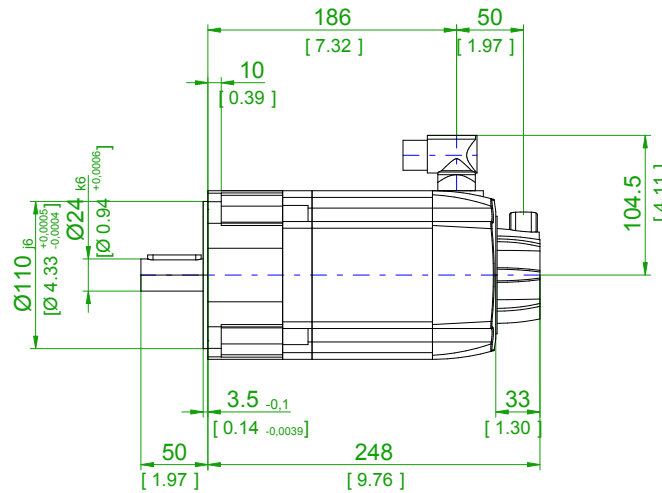
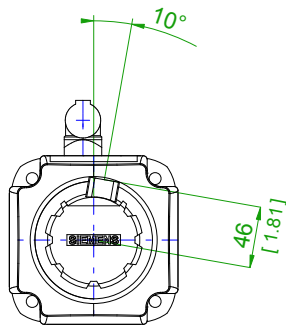
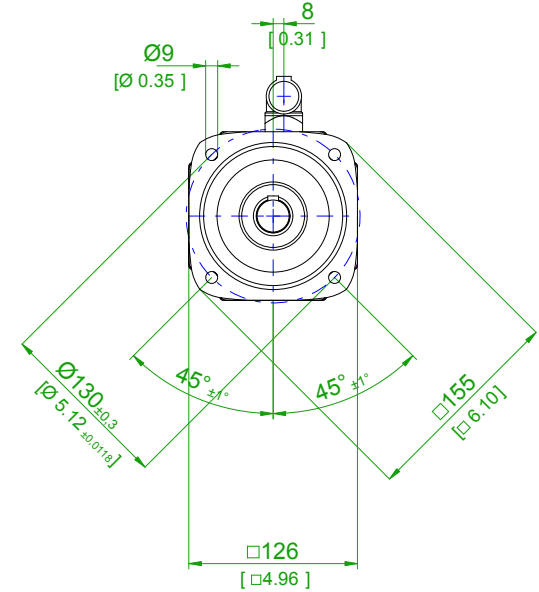


CAUTION: METRIC DRAWING - ENGLISH CONVERSIONS ARE REFERENCE ONLY!

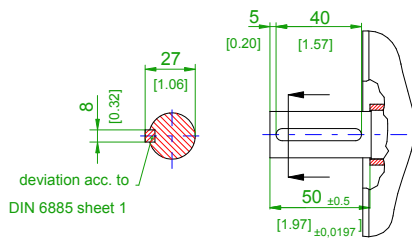
back view



front view  
center hole  
DIN 332-DR M8

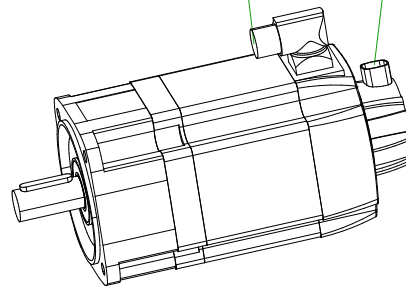


version with featherkey

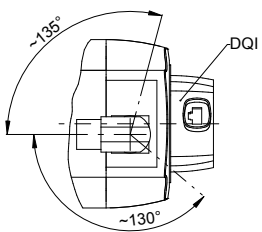


6-pole plug size 1  
for power and brake

10-pole  
signal plug



rotating angle of the plug



		<b>SIEMENS</b>	
Einheit / unit: mm [inch]		Synchron-Servomotor Synchronous Servo Motor:	1FK7063-2AF71-1QB0
nicht tolerierte Maße / not toleranced dimensions:		Optionen / options:	
±1		Gewicht / mass:	12.5 kg
Maßstab / scale: ohne / without		Bemerkung / notice:	
CAD CREATOR 1.7.1 (DVD-Version V01.07.01.00)		Druckdatum / print date:	20.10.2014