

Filterhousing F 20



The F20-housing can be used for filtering fluids and gases.

The head is made of polypropylene and the sump is made of SAN (transparent) or polypropylene (blue).

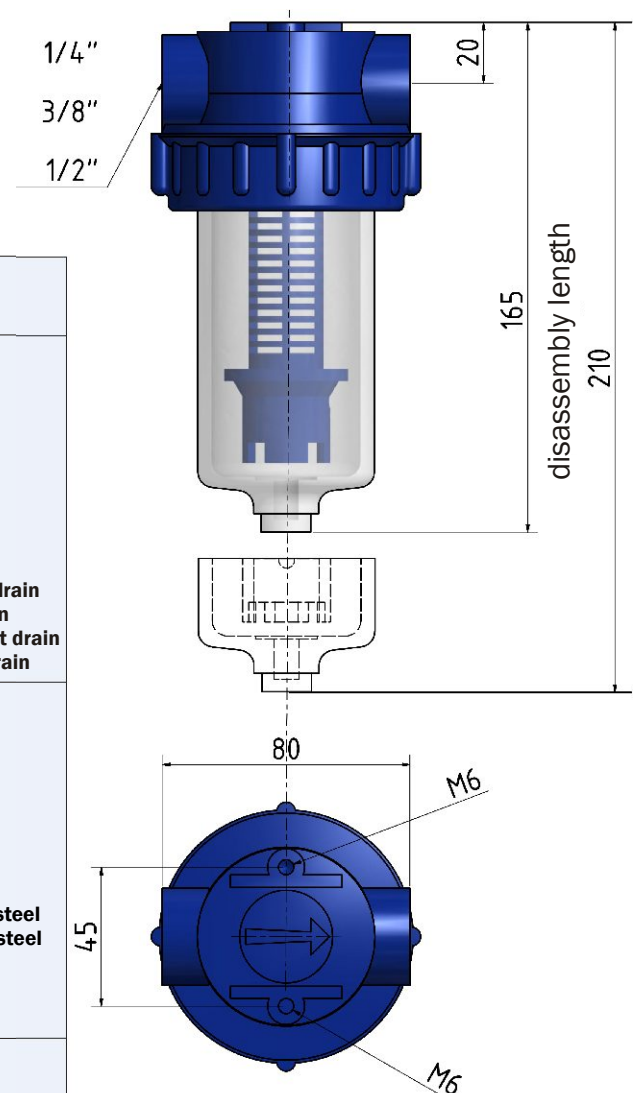
The housing can hold different cartridges (made of Nylon, polyethylene or stainless steel) with different filter ratings. Thereby the housing covers a wide range of applications.

Applications:

- filtration for laboratory- and analysis applications
- filtration in photochemical processes
- protection of pneumatic controls
- prefiltration in healthcare applications
- cycle-filter for cooling units
- fine filter for measuring instruments
- particle filter for laser coolers

General technical data

Material:	head made of polypropylene, sump made of SAN (transparent) or polypropylene
Seal:	Perbunan (standard), Viton and EPDM are available upon request
In-/ Outlet:	1/4", 3/8" and 1/2" female thread
Mounting:	2 x socket M6 in head
Working pressure:	max. 10 bar at 30 °C
Filtercartridges:	<ul style="list-style-type: none"> • Polyethylene sintered (5, 10 und 25 micron) • Nylon (50, 100, 150, 200 und 350 micron) • Stainless steel (140 und 220 micron)



Ordering Information:

1) filterhousing:

F20 B. / 17

In-/Outlet

13 = 1/4" female thread
17 = 3/8" female thread
21 = 1/2" female thread

Sump

360 = transparent (SAN), without drain
361 = transparent (SAN), with drain
310 = blue (Polypropylene), without drain
311 = blue (Polypropylene), with drain

2) filtercartridges:

F20 -

Filter rating/Material

5PE = 5 µm, Polyethylene	50N = 50 µm, Nylon	140ES = 140 µm, stainless steel
10PE = 10 µm, Polyethylene	100N = 100 µm, Nylon	220ES = 220 µm, stainless steel
25PE = 25 µm, Polyethylene	150N = 150 µm, Nylon	
	200N = 200 µm, Nylon	
	350N = 350 µm, Nylon	

Order example:

F2017B.360/17
(filter housing)

F20-350N
(filtercartridge)