

Dimensions and parameters **Standard TCB**

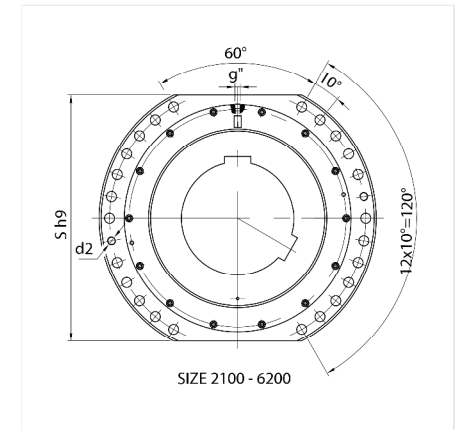
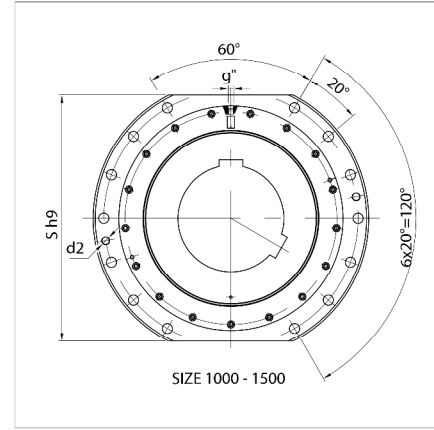
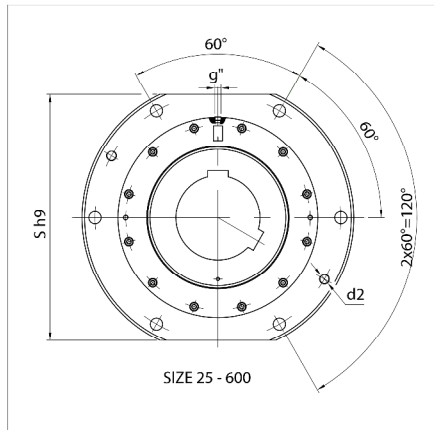
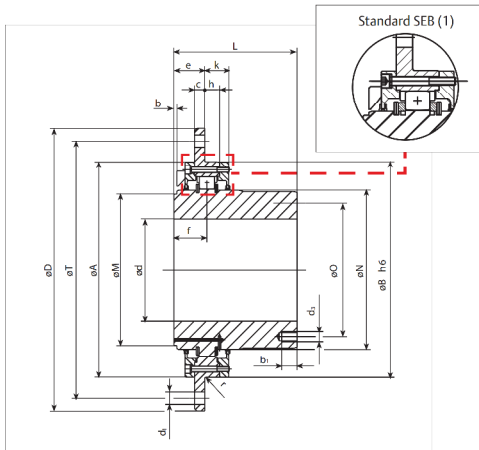


Table n.º 5.

TCB Size	Selection Standard SEB (1)	TN (Nm)	Fr admissible radial load (N)	(2) d max. [mm]	d min. [mm]	D [mm]	L [mm]	L min. [mm]	M [mm]	N [mm]	A [mm]	B [mm]	S [mm]	e [mm]	f (1) [mm]	C [mm]	R [mm]	h (1) [mm]	k [mm]	T [mm]	d1 [mm]	d2	O [mm]	b [mm]	d3	b1 [mm]	Max. axial displacement [+-] [mm]	(3) weight [kg]
25	-	4500	14500	68	38	250	95	85	90	95	159	160	220	42	44	12	2,5	16	31	220	15	M 12	-	5	-	-	3	12
50	-	6000	16500	80	48	280	100	85	105	110	179	180	250	42	44	12	2,5	16	31	250	15	M 12	-	5	-	-	3	19
75	-	7500	18500	90	58	320	110	95	120	125	199	200	280	45	46	15	2,5	17	32	280	19	M 16	-	5	-	-	4	23
100	-	9000	20000	100	58	340	125	95	135	140	219	220	300	45	46	15	2,5	17	32	300	19	M 16	-	5	-	-	4	27
130	-	15500	31000	115	78	360	130	95	150	160	239	240	320	45	47	15	2,5	19	34	320	19	M 16	-	5	-	-	4	33
160	-	19500	35000	130	78	380	145	95	170	180	259	260	340	45	47	15	2,5	19	34	340	19	M 16	-	5	-	-	4	42
200	SG 130	24000	38500	136	98	400	170	95	190	200	279	280	360	45	47	15	2,5	19	34	360	19	M 16	168	5	M 16	24	4	54
300	-	28000	42000	156	98	420	175	95	210	220	309	310	380	45	47	15	2,5	19	34	380	19	M 16	188	5	M 16	24	4	70
400	SG 140	38000	49000	185	98	450	185	120	250	260	339	340	400	60	61	20	2,5	22	40	400	24	M 20	215	9	M 20	30	4	95
500	-	61400	92000	215	98	510	220	125	290	300	399	400	460	60	61	20	2,5	22	40	460	24	M 20	255	7	M 20	30	6	146
600	SG 185	70000	115000	235	118	550	240	125	302	312	419	420	500	60	61	20	2,5	22	40	500	24	M 20	270	7	M 20	30	6	162
1000	SG 200	120000	125000	250	138	580	260	130	341	351	449	450	530	60	61	20	2,5	22	40	530	24	M 20	300	7	M 24	36	6	195
1500	SG 240	180000	150000	295	158	650	315	140	405	415	529	530	580	65	66	25	2,5	27	45	600	24	M 20	350	7	M 24	36	6	305
2100	-	250000	221000	305	168	665	330	145	418	428	544	545	590	65	70	25	4	35	53	615	24	M 20	365	7	M 30	45	6	320
2600	SG 270	310000	250000	315	168	680	350	145	432	443	559	560	600	65	69,5	25	4	35	52	630	24	M 20	375	7	M 30	45	6	360
3400	SG 315	400000	300000	340	198	710	380	165	455	475	599	600	640	81	85	35	4	35	59	660	28	M 24	395	10	M 30	45	8	408
4200	SG 355	500000	340000	385	228	780	410	165	524	539	669	670	700	81	85	35	4	35	59	730	28	M 24	445	10	M 30	45	8	580
6200	SG 400	685000	380000	430	258	850	450	165	583	603	729	730	760	81	85	35	4	35	59	800	28	M 24	500	10	M 30	45	8	715

1) Option with standard SEB66212 January 91. Values in columns "f" and "h" could change in this case.
 2) Maximum bore diameters for execution with keyways according to DIN 6885/1. For other types of connections consult our Technical Department.
 3) Approximate weight.
 g = lubrication point.
 Up to size 160: R, 1/8" Gas, above size 200: R, 1/4" Gas.
 For sizes 3400, 4200 and 6200 nipple is located in front face cover.