



***BA...RPC arms series***

A large, stylized, light gray 'D' shape is positioned on the left side of the page. It has a thick, rounded border and a subtle shadow effect, giving it a three-dimensional appearance. The 'D' is centered vertically and partially overlaps the 'INSTRUCTIONS MANUAL' text.

**INSTRUCTIONS MANUAL**

## IMPORTANT

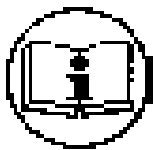


The tool delivered with this manual may have been modified for specific needs.

In that case, please give us the tool code number written on our shipping note or the approximate tool delivery date when you place an order for a new similar tool or for spare parts.

In that way, you will be sure to get the required tool and/or spare part.

## WARNING



This information has to be kept in a location known by all users.



Each operator has to read carefully this manual before installing, using, and mending the product.

Be sure that the operator has understood using recommendations and the meaning of signs put on the product.

Most accidents could be avoided respecting this Manual Instructions. As a matter of fact, they were created according to European laws and norms regarding products.

In each case, please respect and follow safety national norms. Do not take off nor damage the stickers or advise put on the product and above all the details imposed by the law.

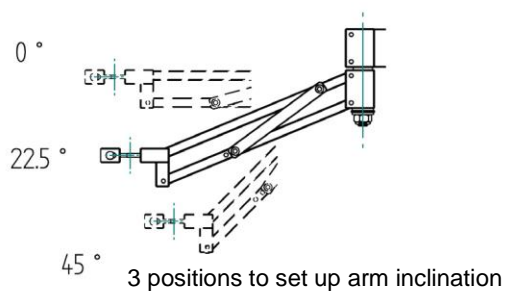
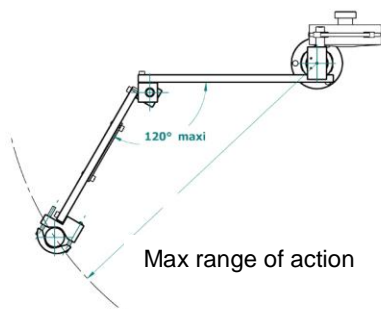
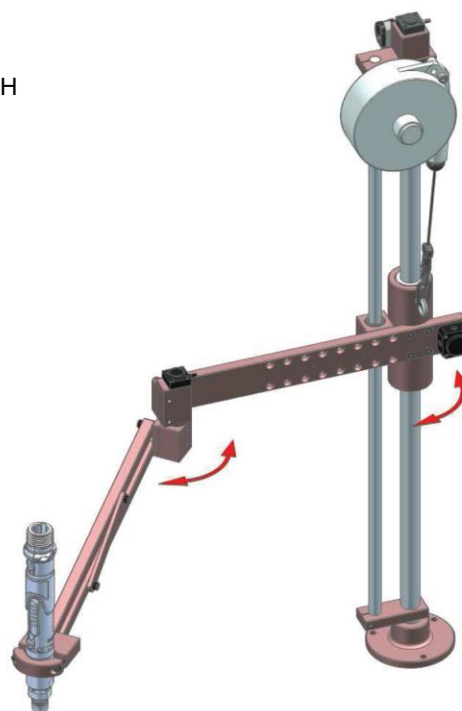
## I. FEATURES

└─ Articulated arms with 2 absolute encoders

└─ Direct link to POSI-CONTROL DPC TOUCH

- Torque up to 100Nm
- Range of action up to 1100 mm
- Equipped with an absolute encoder 12 bits (precision 0,1°)
- Superior capacity on request
- Controlled movement

### BA 12/25/40/100 RPC



Type	max torque	Tool diameter (mm)	Range of action at 22,5°	Max load	Article code
BA 12 RPC	12	27 - 50	450	1,2	4-5201010
BA 25 RPC	25	28 - 52	460	2,2	4-5200472
BA 25 RPC/600	25	28 - 52	600	2,2	4-5200475
BA 40 RPC	40	28 - 52	650	3	4-5200473
BA 40 RPC/800	40	28 - 52	800	3	4-5200476
BA 100 RPC	100	28 - 52	730	4	4-5200474
BA 100 RPC/900	100	28 - 52	900	4	4-5200477
BA 100 RPC/1100	100	28 - 52	1100	4	4-5200478



### Option

Z encoder option/BA RPC. Code : 4-5283125  
Cable /Z encoder Code 4-5200725

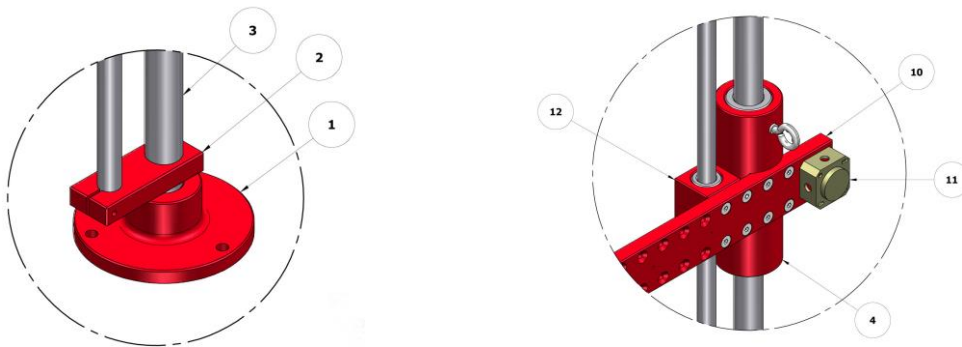
## 1. APPLICATION

The BA...RPC torque reaction arms are used to ensure 4 supplementary functions:

- A)** To ease the torque reaction effect of air and electric powered hand tools like screwdrivers, drills, and tappers. Our arms protect the operator against injuries of the hand and wrists, stress syndroms and cumulative trauma disorder.
- B)** To control the position of the tool
- C)** To hold and balance the powered hand tools.
- D)** To hold tools in vertical position.

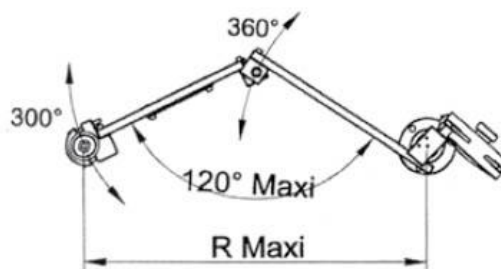
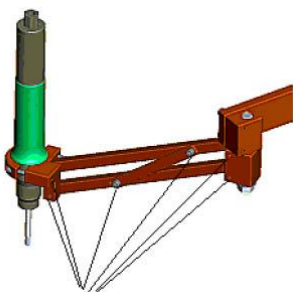
## 2. INSTALLATION

2.1 Fasten the washer faced perfectly horizontal on the work bench with 3 screws



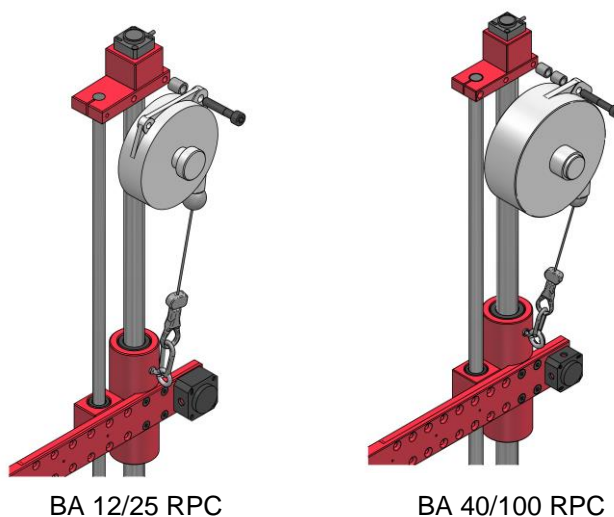
- Screw the plate 10 on the sleeve 4 and the sleeve holder 12.

- Make sure the axial travel of the arm is possible without any interference or danger for the operators with angle inferior to 120° at the articulation level.



*The six screws enable the setting of the inclination and must be properly fastened*

2.2 Balancer setting



BA 12/25 RPC

BA 40/100 RPC

### 3. BALANCER SETTING

Set the tension of the balancer according to the tool weight.  
The balancer is properly set when the operator can handle the arm without any effort.

To increase the balancer tension force, turn the balancer wheel clockwise.  
To decrease the balancer tension force, turn the balancer wheel counterclockwise.

**IMPORTANT: *Don't forget to set the cable stroke with the black ball located on it.***

### 4. ADVISINGS

- Do not overcome the maxi load and maxi torque mentioned on the arm.
- Necessary maintenance: after 150.000 cycles.
- Take into account the workstation coverage dimensions before installation.
- Tighten the base properly and make sure that the work station is stable.

### 5. SERVICING

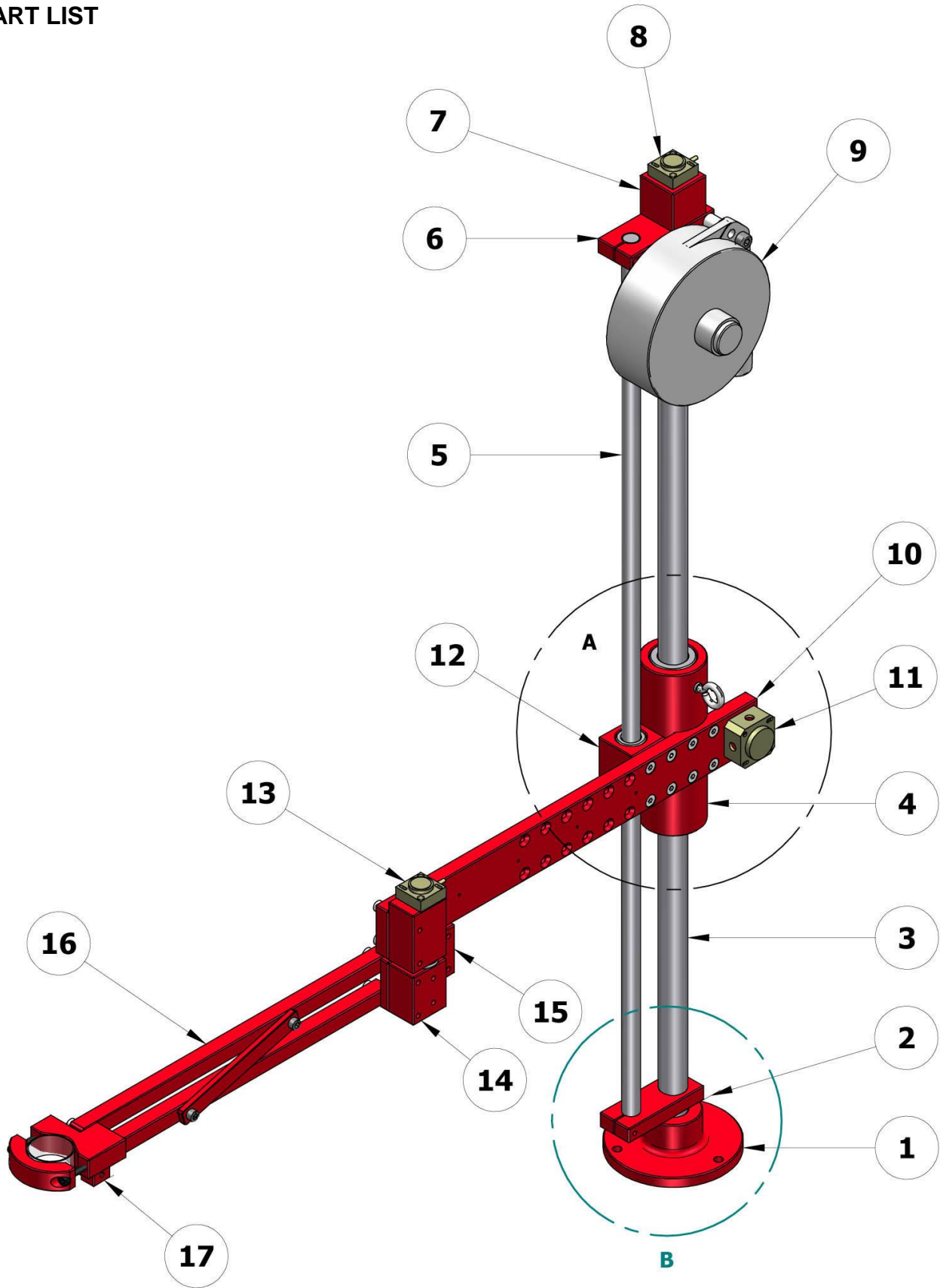
After 150.000 cycles :

- a) Dismount the sliding bush and the two chromed slides.
- b) Clean the parts with a spray gun.
- c) Clean the main pole and the two chrome slides with a dry rag.
- d) Mount the arm again checking the right alignment of the two chromed slide and the proper tightening of the clamp.

### 6. MAINTENANCE

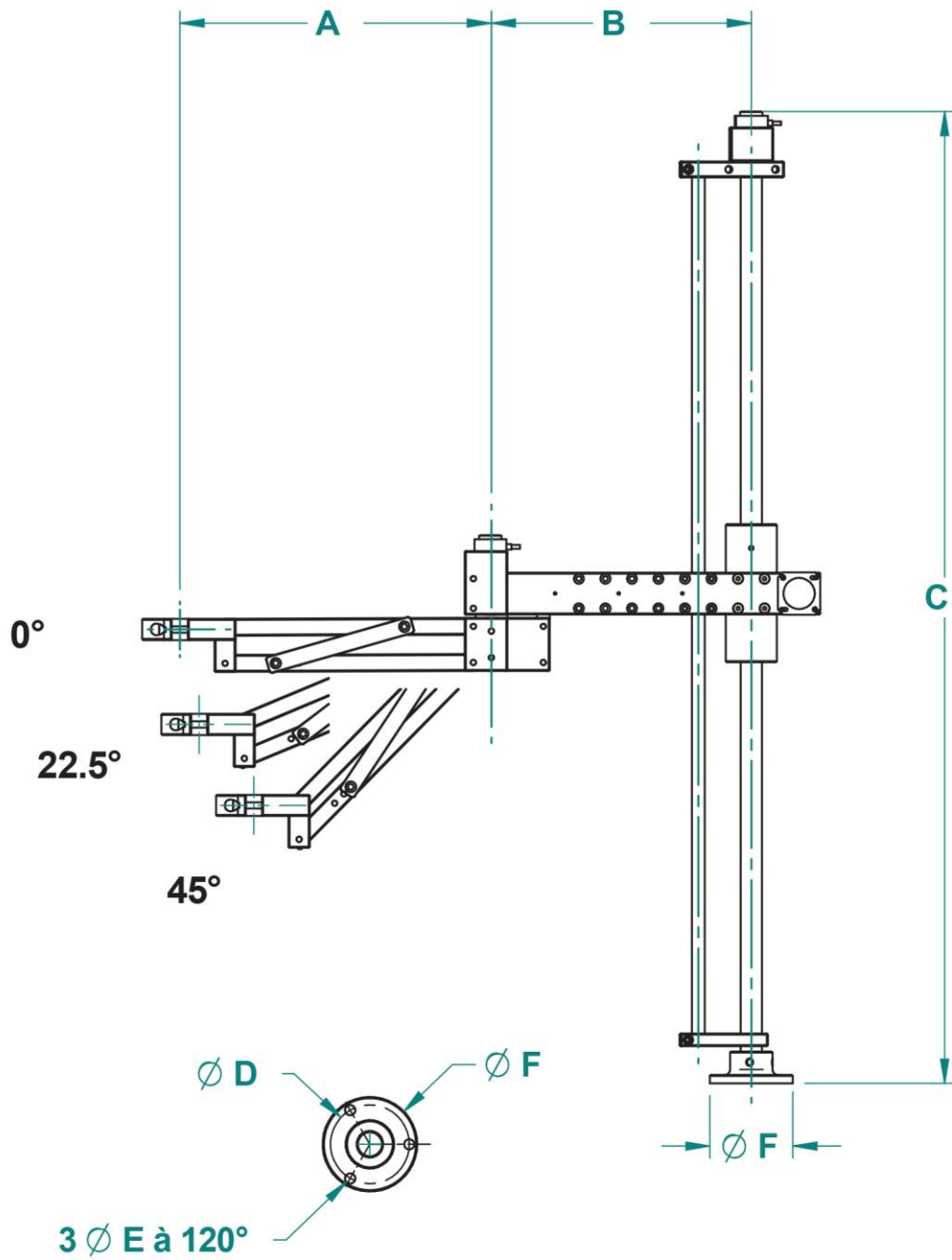
Must be achieved either by DOGA or the DOGA official distributor in your country.

## II. PART LIST



Rep.	Désignation	BA 12RPC	BA 25RPC	BA 25RPC/600	BA 40RPC	BA 40RPC/800	BA 100RPC	BA 100RPC /900	BA 100RPC/1100
1	Pole foot	4-5200225	4-5200246	4-5200246	4-5200255	4-5200255	4-5200264	4-5200264	4-5200264
2	Lower flange								
3	Pole								
4	Sliding bush	4-5200227	4-5200248	4-5200248	4-5200257	4-5200257	4-5200266	4-5200266	4-5200266
5	Rotating axel								
6	Upper flange								
7	Encoder support								
8	Encoder	4-5200484	4-5200484	4-5200484	4-5200484	4-5200484	4-5200484	4-5200484	4-5200484
9	Balancer	4-5200229	4-5200250	4-5200250	4-5200259	4-5200259	4-5200268	4-5200268	4-5200268
10	Primary part								
11	Junction box	4-5200488	4-5200488	4-5200488	4-5200488	4-5200488	4-5200488	4-5200488	4-5200488
12	Rotating sleeve								
13	Articulation encoder	4-5200485	4-5200485	4-5200486	4-5200560	4-5200561	4-5200487	4-5200562	4-5200563
14	Complete articulation								
15	Angular stop								
16	Secondary part	4-5200244	4-5200253	4-5200262	4-5200262	4-5200262	4-5200271	4-5200271	4-5200271
17	Clamp	4-5200245	4-5200254	4-5200054	4-5200263	4-5200263	4-5200272	4-5200272	4-5200272

## III. OVER ALL DIMENSIONS



	A 0°	A 22,5°	A 45°	B min	B max	C	range of action
BA 12 RPC	279	261	209	145	245	816	450
BA 25 RPC	296	278	227	145	245	916	460
BA 25 RPC/600	358	336	271	330	330	916	600
BA 40 RPC	414	387,5	310,5	200	350	1016	650
BA 40 RPC/800	503	470	374	415	415	1016	800
BA 100 RPC	462	433	351	255	405	1016	730
BA 100 RPC/900	564	528	425	520	520	1016	900
BA 100 RPC/1100	694	648	517	635	635	1016	1100











8, avenue Gutenberg - CS 50510  
78317 Maurepas Cedex - France  
Tél. : 01 30 66 41 48 • Fax : 01 30 66 41 49  
[ergonomie@dogaf.fr](mailto:ergonomie@dogaf.fr)

Nous travaillons constamment à l'amélioration de nos produits. De ce fait, les dimensions et indications portées dans cette brochure peuvent parfois ne pas correspondre aux dernières exécutions. De convention expresse, nos ventes sont faites sous bénéfice de réserve de propriété (les dispositions de la loi du 12/5/80 trouvent donc toute leur application).