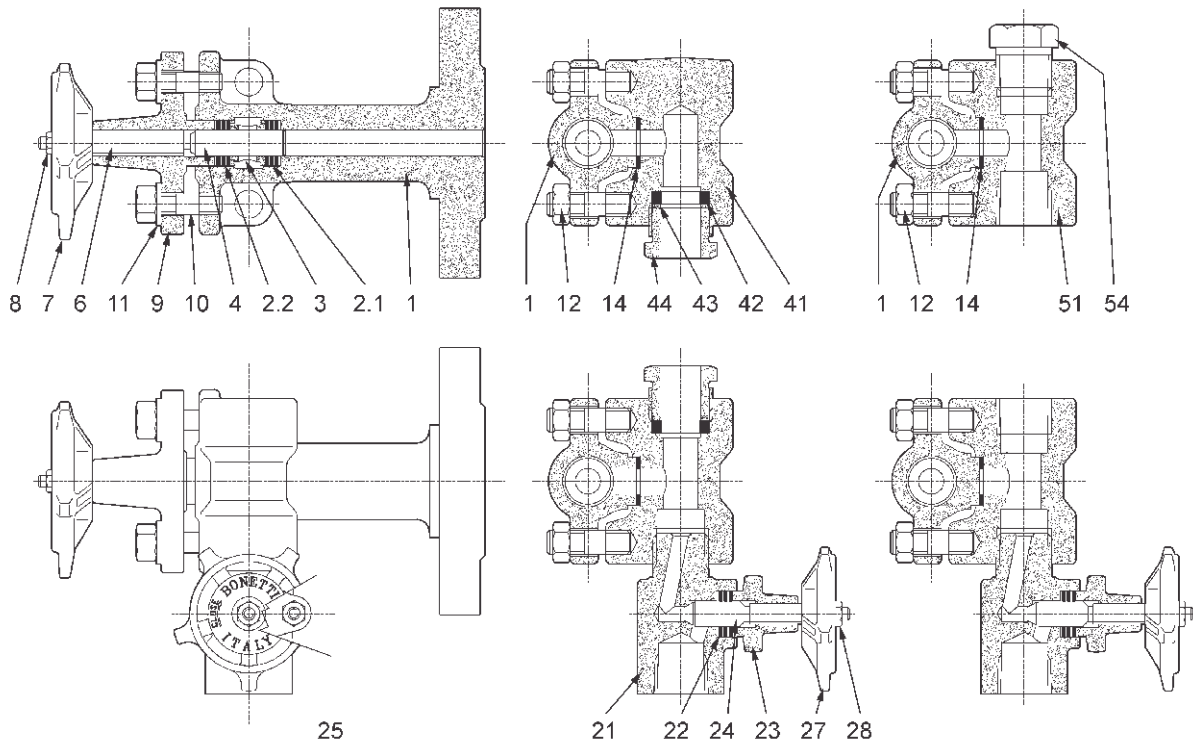


Fig. 834

GP11

GP12



Item Part		Part Material for Material Schedule		
		52	63	64
Upper and Lower Valve				
1	Body	ASTMA105	ASTM A182 F316	ASTM A182 F316
2.1	Lower Valve Ring	Graphite St. St.	Graphite St. St.	Graphite St. St.I
2.2	Upper Valve Ring	Graphite St. St.	Graphite St. St.	Graphite St. St.
3	Lantern Bush	Carbon Steel	ASTM A479 T316	ASTM A479 T316
4	Piston	ASTM A479 T316	ASTM A479 T316	ASTM A479 T316
6	Spindle	ASTM A479 T410	ASTM A479 T304	ASTM A479 T410
7	Handwheel	Aluminium	Aluminium	Aluminium
8	Handwheel Nut	Carbon Steel	Carbon Steel	Carbon Steel
9	Bonnet	ASTM A105	ASTM A182 F316	ASTM A105
10	Stud Bolt and Nut	A193 B7 - A194 2H	A193 B8 - A194 G8	A193 B7 - A194 2H
11	Washer	Carbon Steel	Carbon Steel	Carbon Steel
12	Stud Bolt and Nut	A193 B7 - A194 2H	A193 B8 - A194 G8	A193 B7 - A194 2H
14	Gasket	Asbestosfree	Asbestosfree	Asbestosfree
Drain Valve				
21	Body	ASTM A105	ASTM A182 F316	ASTM A182 F316
22	Valve Ring	Graphite St. St.	Graphite St. St.	Graphite St. St.
23	Bonnet	ASTM A105	ASTM A182 F316	ASTM A105
24	Needle	ASTM A479 T410	ASTM A479 T316	ASTM A479 T316
25	Screw	A193 B7	A193 B8	A193 B7
27	Handwheel	Aluminium	Aluminium	Aluminium
28	Handwheel Nut	Carbon Steel	Carbon Steel	Carbon Steel
41	Head GP11	ASTM A105	ASTM A479 T316	ASTM A479 T316
42	Packing Ring	Graphite St. St.	Graphite St. St.	Graphite St. St.
43	Stuffing Box Ring	Carbon Steel	ASTM A479 T316	ASTM A479 T316
44	Stuffing Box Nut	Carbon Steel	ASTM A479 T316	Carbon Steel
51	Head GP12	ASTM A105	ASTM A479 T316	ASTM A479 T316
54	NPT Vent Plug	Carbon Steel	ASTM A479 T316	ASTM A479 T316

Optionals

- Vent Plug on the upper head-piece (standard for GP12)
- Vent Valve on the upper head-piece
- Automatic Safety Ball-Check, in the upper and lower valve
- External tracing for heating or cooling, by electrical wire or pipe (to be made on field)
- Intermediate support not connected with the vessel, for very long C. to C. distance.

Material Schedules

Standard Material Schedules as per Fig. 833.
Other Material Schedules available on request.
Parts material is listed on Fig. 866.

Request or Order

- Please state:
- type of set: Code GP11 or GP12
 - right-handed or left-handed
 - connections to the vessel: to be detailed
 - optionals, if any
 - Material Schedule: Fig. 833

Service

- Before the valves are put in service:
- shut off the upper and lower valve and lightly follow up the bonnet Nuts (10)
 - open the drain valve and lightly follow up the bonnet Screws (25)
 - follow up the Gaskets (14) by the Nuts (12).

Spare parts

- One complete set of sealing elements for 1 level gauge consists of:
- 5 Valve Rings (item 2.1 - 2.2. - 22) B 10 x B 18 x 6
 - 2 Gaskets (item 14) B 20 x B 10,5 x 1
 - 2 Packing Rings (item 42) B 16 x B 23,5 x 5, for GP11 only.