



Index: 00
Status: 13.04.2012

Item number: KDD10,0/R/600V/180A/0,33mH

Electrical data

Operating voltage:	up to 3 x 600V	Nominal current:	180 A
Inductance:	0,33 mH	Mode of operation - ED:	100%
Short-circuit voltage:	8,1 % at 50 Hz	Nominal frequency:	50/60 Hz
Maximum ambient temperature:	40°C	Clock frequency of the converter:	at least 3 kHz
Degree of protection:	IP00	Installation up to maximum:	IP20
Degree of pollution:	P2	Class of protection:	I
Insulation class:	F	Construction plan number:	24613
Fuse:	Thermal protection by thermistors 150°C		

Standards

Standard EN:	acc. to EN61558-1 acc. to EN61558-2-20		labeling UL:	DDU10,0/2/0/0S
Standard UL:	certified acc. to: UL5085-1 /UL5085-2			DDU10,0/2/0/0S
Standard CSA:	C22.2 No.66.1-06 C22.2 No.66.2-06			

Circuit diagram

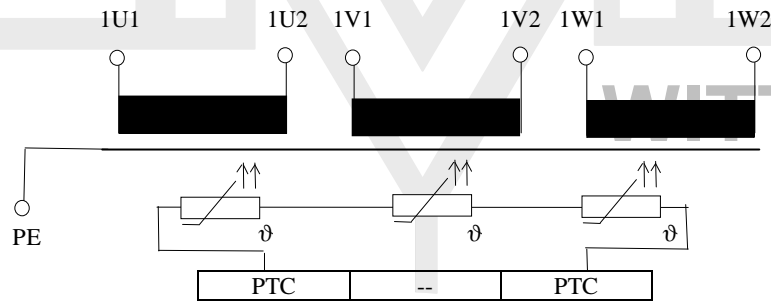
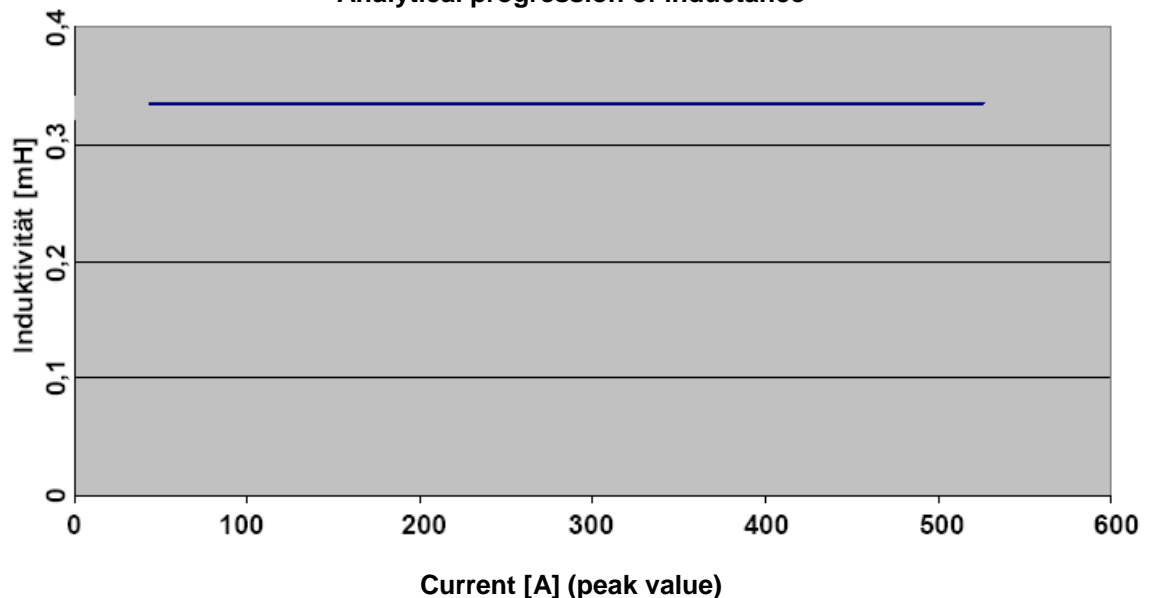
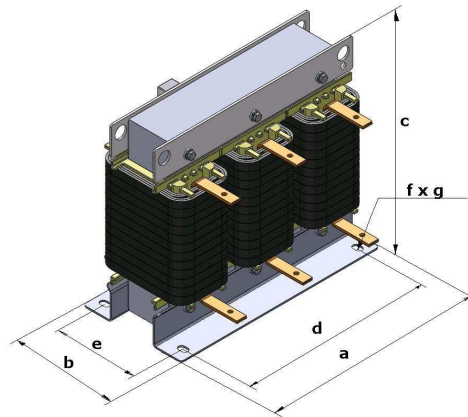


Diagram: Saturation resistance

Analytical progression of inductance



Mechanical data



a	b	c	d	e	fxg	weight in kg
420	230	370	370	151	11x15	85

Connection bolt: M10

Tightening torque of the connection bolt: 10,0 Nm

EMV WITTLICH