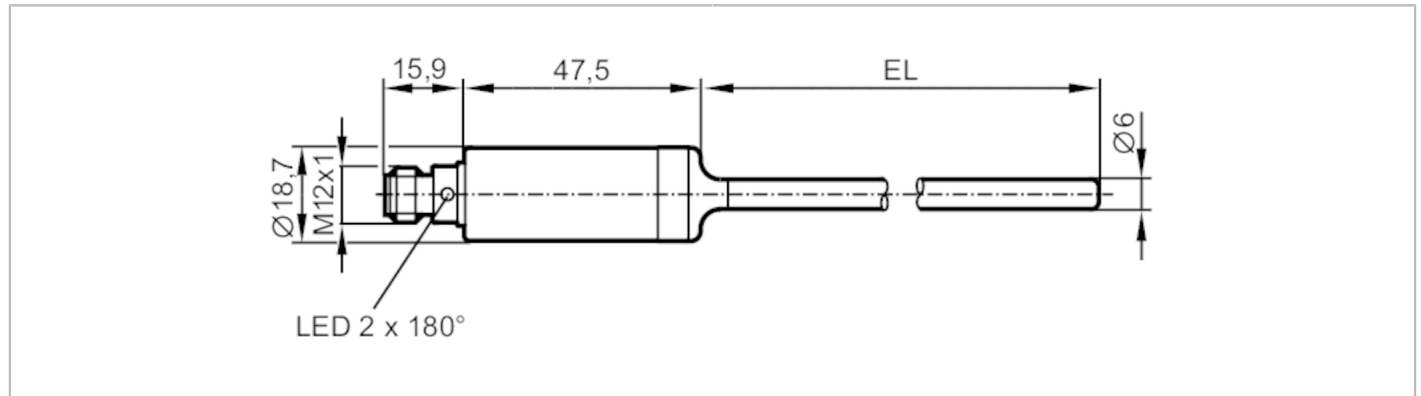


TA2247



Temperature transmitter

TA-150CLE06- - /US



Product characteristics

Number of inputs and outputs	Number of analogue outputs: 1
Measuring range [°C]	-50...200
Process connection	diameter Ø 6 mm
Installation length EL [mm]	150

Application

Measuring element	1 x Pt 1000; (to DIN EN 60751, class A)
Media	liquids and gases
Pressure rating [bar]	160
Vacuum resistance [mbar]	-1000

Electrical data

Operating voltage [V]	18...32 DC; ("supply class 2" to cULus)
Current consumption [mA]	< 50
Protection class	III
Reverse polarity protection	yes
Power-on delay time [s]	2

Inputs / outputs

Number of inputs and outputs	Number of analogue outputs: 1
------------------------------	-------------------------------

Outputs

Total number of outputs	1
Output signal	analogue signal; IO-Link; (configurable)
Number of analogue outputs	1
Analogue current output [mA]	4...20
Max. load [Ω]	300
Short-circuit protection	yes
Overload protection	yes

Measuring/setting range

Measuring range [°C]	-50...200
Factory setting	0...100 °C

TA2247



Temperature transmitter

TA-150CLE06- - /US

Resolution	
Resolution of analogue output [K]	0.04
Accuracy / deviations	
Precision analogue output [K]	$\pm 0,3 + (\pm 0,1 \% \text{ MS})$
Temperature coefficient [% of the span / 10 K]	0,1; (in case of deviation from the reference condition $25 \pm 5 \text{ }^\circ\text{C}$)
Response times	
Dynamic response T05 / T09 [s]	< 0,5 / < 2
Interfaces	
Communication interface	IO-Link
Transmission type	COM2 (38,4 kBaud)
IO-Link revision	1.1
Operating conditions	
Ambient temperature [°C]	-25...80
Note on ambient temperature	at medium temperature: < 160 °C -25...60 °C at medium temperature: < 200 °C
Storage temperature [°C]	-40...100
Protection	IP 67; IP 68; IP 69K
Tests / approvals	
EMC	DIN EN 61000-6-2 DIN EN 61000-6-3
Shock resistance	DIN IEC 68-2-27 50 g (11 ms)
Vibration resistance	DIN IEC 68-2-6 10 g (10...2000 Hz)
MTTF [years]	324
UL approval	UL Approval no. K002
Mechanical data	
Weight [g]	161.5
Dimensions [mm]	Ø 18.7
Materials	stainless steel (1.4404 / 316L); PEI; FKM
Materials (wetted parts)	stainless steel (1.4404 / 316L) electropolished
Process connection	diameter Ø 6 mm
Surface characteristics Ra/Rz of the wetted parts	Ra: < 0.8
Probe diameter [mm]	6
Installation length EL [mm]	150
Remarks	
Remarks	MS = set measuring span The values for accuracy apply to flowing water.
Pack quantity	1 pcs.
Electrical connection	
Connector: 1 x M12	

TA2247



Temperature transmitter

TA-150CLEDD06- - /US



Connection

