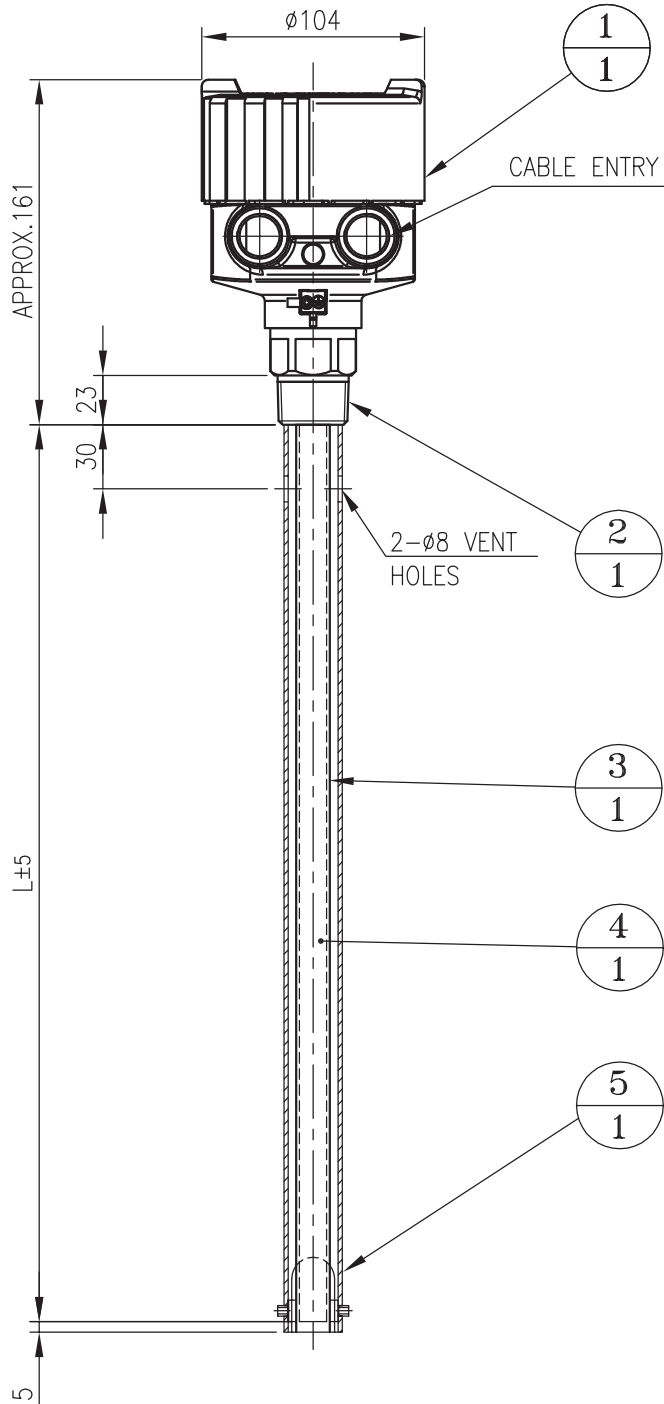


PO		TN	
----	--	----	--



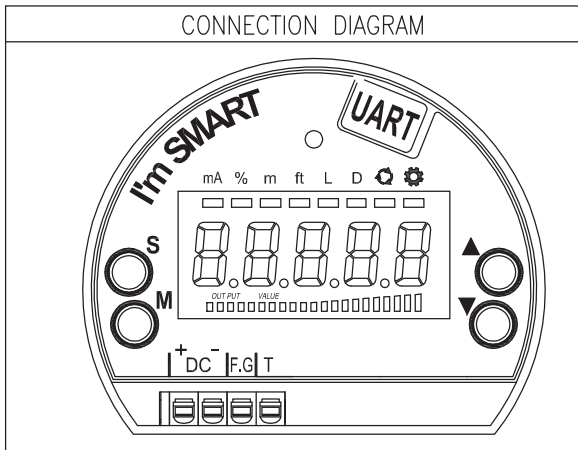
FOR	COMPACT TYPE LEVEL TRANSMITTER (Rod Probe W/ Ground Tube)		
MOUNTING	TOP, SCREW		
ENCLOSURE	WEATHER PROOF		
AMBIENT TEMP.	-20 ~ +60°C		
MAX. PRESSURE	20	kgf/cm <sup>2</sup>	
MAX. TEMP	80	°C	

CABLE ENTRY	<input checked="" type="checkbox"/> PF 1/2"(F)
	<input type="checkbox"/>

ELECTRICAL SPEC.	POWER SUPPLY : DC 24V
	OUTPUT SIGNAL : DC 4~20mA

NO.	DESCRIPTION	MATERIAL	REMARK
1	HOUSING	ALC	
2	PROCESS CONN.	316L SS	
3	INSULATION	TEFLON	1t
4	SENSING ROD	316L SS	∅12.7
5	GROUND TUBE	316L SS	∅27.2

PROCESS CONN. SIZE	
<input checked="" type="checkbox"/>	PT 1"(M) SCREW
<input type="checkbox"/>	



TAG. NO.	Q'TY	L
	1	1,000

NOTE  
1. GENERAL DIMENSION TOLERANCE ±3mm  
EXCEPT AS NOTED.

	..					HITROL CO., LTD.  TITLE CAPACITANCE TYPE LEVEL TRANSMITTER HT-100CT-2	SCALE N.S	UNIT mm	SHEET NO. /
	..						PROJECT		
	..						DRAWING NO.	HT100CT2-BBA-01	
	MAY. 2018	1ST ISSUE	D Y KIM	B S SUNG	Y H KIM				
	NO.	DATE	REVISION	REV'D BY	CHK'D BY		APP'D BY		

This drawing is the property of HITROL and shall not be copied, communicated, or given for third-party except with our written permission.