

Valve series KN-05

acc. to NAMUR, 5/2- and 5/3-way
G1/4 • 680 to 900 NI/min (0.691 to 0.915 Cv)



Order code

KN-05-510-HN-442

Series and function

Coil options

Standard coil¹⁾

- 441 = 12 V DC, 4.2 W
- 442 = 24 V DC, 4.2 W
- 452 = 24 V AC, 7/4 VA
- 456 = 115 V AC, 7/4 VA
- 457 = 230 V AC, 7/4 VA
- 461 = 12 V DC, 2.2 W²⁾
- 462 = 24 V DC, 2.2 W²⁾

Without coil and plug socket

- 570 = Power consumption 4.2 W, 7/4 VA
- 560 = Power consumption 2.2 W²⁾

Coils with M12 connector and LED

- O42 = 24 V DC, 4.8 W
- O62 = 24 V DC, 2.5 W²⁾

¹⁾ Plug socket see page 5.042.

In high humidity environments please use the KN-55-... series with special coils and seals.

All dimensions are equal to the KN-05 series.

Information about electrical datas see page 4.280.

Design, function and technical data

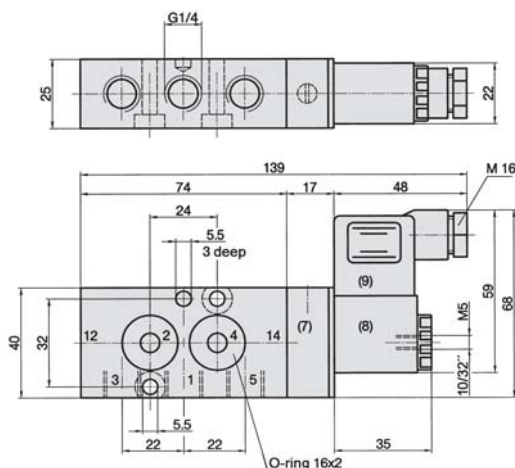
Spool valve for single acting actuators switched by an electrical signal. The locating pin, screws and seals are included.

For outdoor applications or in areas with high humidity use coil 23-SP-011-1 or 23-SP-012-1 (see page 4.280).

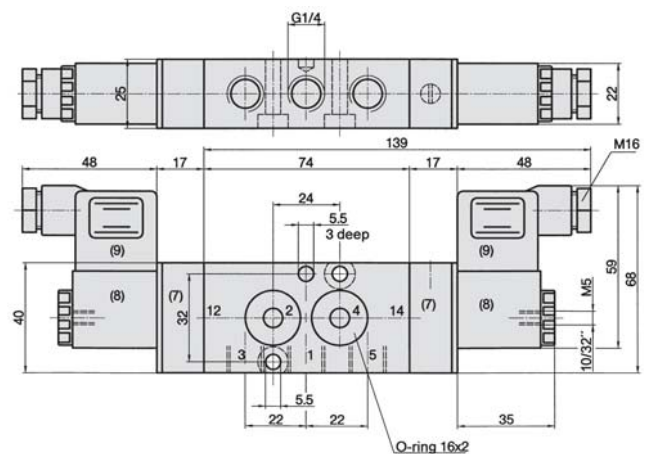
Please specify required control voltage when ordering.

Valves of this series are available in explosion proof design in accordance with 2014/34/EU (ATEX). For further details see chapter 13 of this catalogue.

KN-05-510-HN, KN-05-511-HN



KN-05-520-HN, KN-05-530-HN, KN-05-533-HN



- 1 = pressure inlet
- 2, 4 = outlets
- 3, 5 = exhaust

- (7) = manual override (detent) can be repositioned by 180°
- (8) = solenoid coil can be repositioned 4 x 90°
- (9) = plug socket can be repositioned by 180°

Order number	KN-05-510-HN KN-55-510-HN	KN-05-511-HN KN-55-511-HN	KN-05-520-HN KN-55-520-HN	KN-05-530-HN KN-55-530-HN	KN-05-533-HN KN-55-533-HN
Please complete according to order code.					
Function	5/2-way single solenoid air spring return	5/2-way single solenoid spring return	5/2-way double solenoid	5/3-way center position closed	5/3-way center position exhausted
Connection	G1/4 at 1, 3 and 5; flange to NAMUR at 2 and 4				
Nominal size	6 mm				
Flow rate	900 NI/min (0.915 Cv)	800 NI/min (0.813 Cv)	900 NI/min (0.915 Cv)	680 NI/min (0.691 Cv)	
Pressure range	3 ... 10 bar ²⁾ (43 ... 145 psi)		2 ... 10 bar ²⁾ (29 ... 145 psi)	3 ... 10 bar ²⁾ (43 ... 145 psi)	
Response time at 6 bar	on 16 ms off 17 ms	on 16 ms off 18 ms	14 ms	on 14 ms off 16 ms	
Temperature range	- 10 °C ... + 70 °C (+ 14 °F ... + 158 °F)				
Materials	Body: Al (anodized), Seals: NBR and POM, Inner parts: Al, stainless steel, brass				
Medium	Compressed air in accordance with ISO 8573-1: 2010, Class 7:2:4 – and free of aggressive additives.				
Degree of protection	IP 65 according to EN 60529				
Weight	0.320 kg (0.705 lb.)		0.440 kg (0.970 lb.)		

²⁾ max. 8 bar (max. 116 psi) at 2.2 W and 2.5 W.