

Acopian Power Supplies

Gold Box UNREGULATED AC-DC single & wide adjustoutput

- Shipped Within 3 Days
 - U.L. Recognized
 - Five Year Warranty
- RA** (w/exceptions)



Don't forget these facts about Acopian....

- Fast Shipping? Acopian invented it! For over half a century, Acopian has built and shipped thousands of power supplies within 3-DAYS after receipt of order. And we still do today! View our 3-DAY Shipping Promise: www.acopian.com/3dayship.html
- You ALWAYS talk to a real person when you call Acopian.
- Acopian power supplies last a *very long time!*
- You can email 3day@acopian.com anytime for 24/7 product support.
- The *Online System Builder* (www.acopian.com/SystemBuilder) is a convenient way to get your own custom power supply or power system (and they ship within 9 Days).
- You can order Acopian power supplies factory direct.
- ALL Acopian products are made in the USA.

Acopian
POWER SUPPLIES

Easton, PA & Melbourne, FL
1-800-523-9478 • www.acopian.com
Order Factory Direct
Made in USA 



Gold Box UNREGULATED

AC-DC
single output & wide adjust output

- Shipped Within 3 Days
 - U.L. Recognized
 - Five Year Warranty
- (w/exceptions)

Low-cost DC power suitable for driving loads such as lamps, relays, and small motors is provided by these unregulated power supplies. All components are generously derated, insuring a long and trouble-free life; built-in fusing prevents damage due to prolonged overloading or short circuits. Mechanically similar to the regulated supplies shown on pages F15 and F16, they are housed in extruded aluminum cases which can be mounted in any position. Many models are U.L. Recognized.

STANDARD FEATURES

- Capacitive filtering
- Fused input
- May be used in series or parallel
- No derating or heat sinking required
- Completely serviceable

SPECIFICATIONS

Input Voltage: 0-125 VAC, 50-400 Hz, single phase.

Output Voltage Adjustment: Adjustable voltage models are provided with a built-in continuously adjustable autotransformer.

Load Regulation: The nominal output voltages of single output models, and the maximum rated output voltages for models with wide adjust outputs, are based on 115 VAC input with approximately one-half load. At no load, they will increase by approximately 10%. At full load, they will be reduced by approximately 10%.

Line Regulation: Output voltage change due to line change directly proportional to input change.

Polarity: Output is floating; either positive or negative terminal may be grounded or floated up to 300 volts above ground.

Ambient Operating Temperature: -10 to +65°C.
No derating required.

Storage Temperature: -55 to +85°C.

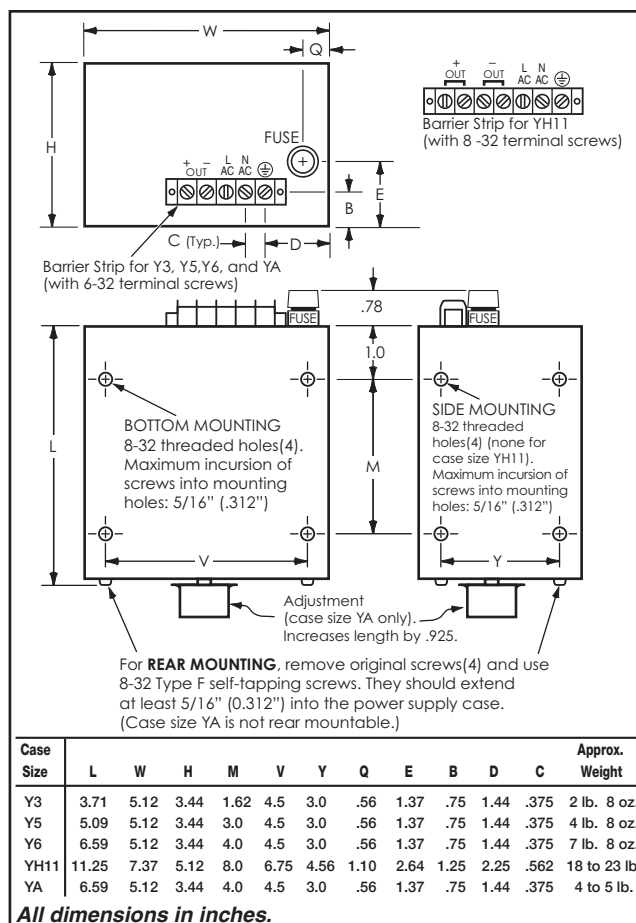
OPTIONS

Terminal Strip Cover: Clips on. To order, add suffix "M" to model number and \$5.00 to price.

230 Volt Input: Provision for inputs of 0-250 VAC, 50-400 Hz, replacing the standard 0-125 VAC input voltage range, is available on single output models. To order, add suffix "-230" to model number and \$25.00 to price (for models in case size YH11 add \$40.00). The "-230" option requires two additional days.



Models in case size YA have output voltage adjustment on rear panel.



Mounting: Threaded mounting holes permit mounting to a chassis, cabinet wall or bracket, or they may be used on a test bench or tabletop. To mount from the power supply side of the mounting surface or for DIN rail mounting, see accessory Mounting Kits on page H3.

SINGLE OUTPUT

Nominal Output Voltage	Output Current Amps.	Output Voltage N/L-F/L	Ripple Volts RMS	(\$) Price	Model	Case Size
4	.200	4.4 to 3.6	.2	220	U4Y20	Y3
5	10.0 (@ 5.0)	6.7 to 3.6 (5.0)	1.8 (1.3)	275	U5Y1000	Y6
6	2.0	7.7 to 4.8	2.0	220	U6Y200	Y3
6	5.0	7.5 to 5.0	1.8	275	U6Y500	Y5
7	8.0	8.0 to 5.4	1.5	275	U7Y800	Y6
9	10.0 (@ 5.0)	11.5 to 7.5 (9.0)	2.3 (1.3)	275	U9Y1000	Y6
10	10.0 (@ 5.0)	12.4 to 8.0 (9.8)	2.3 (1.3)	275	U10Y1000	Y6
12	1.5	14.9 to 10.9	2.5	220	U12Y150	Y3
12	5.0	14.8 to 10.5	1.8	260	U12Y500	Y5
12	10.0 (@ 5.0)	14.1 to 9.8 (11.5)	2.3 (1.3)	280	U12Y1000	Y6
14	1.0	15.4 to 12.6	.7	220	U14Y100	Y3
14	10.0 (@ 5.0)	16.4 to 12.1 (14.0)	2.3 (1.3)	280	U14Y1000	Y6
15	10.0 (@ 5.0)	17.2 to 12.8 (14.5)	2.3 (1.3)	280	U15Y1000	Y6
16	1.0	17.6 to 14.4	.7	220	U16Y100	Y3
16	10.0 (@ 5.0)	18.8 to 14.2 (16.0)	2.3 (1.3)	280	U16Y1000	Y6
18	1.0	19.8 to 16.2	.7	220	U18Y100	Y3
18	10.0 (@ 5.0)	21.0 to 15.8 (18.0)	2.4 (1.4)	280	U18Y1000	Y6
20	4.0	22.0 to 17.5	2.0	260	U20Y400	Y5
20	10.0 (@ 5.0)	23.7 to 18.3 (20.4)	2.4 (1.4)	280	U20Y1000	Y6
24	1.0	26.4 to 21.6	1.7	220	U24Y100	Y3
24	3.5	26.0 to 21.0	2.0	260	U24Y350	Y5
24	5.0	26.5 to 21.0	2.5	280	U24Y500	Y6
24	10.0	26.8 to 21.4	2.4	315	U24Y1000	Y6
24	17.0	26.4 to 21.6	1.5	465	U24Y1700	YH11
24	23.0	27.0 to 21.0	1.5	495	U24Y2300	YH11
25	5.0	28.1 to 22.3	2.5	280	U25Y500	Y6
27	5.0	30.0 to 24.0	2.6	280	U27Y500	Y6
28	1.0	30.8 to 25.2	1.7	220	U28Y100	Y3
28	3.0	30.8 to 26.0	2.0	260	U28Y300	Y5
28	5.0	31.2 to 24.8	2.6	280	U28Y500	Y6
28	8.0	30.2 to 25.0	2.4	315	U28Y800	Y6
28	15.0	30.8 to 25.2	1.5	465	U28Y1500	YH11
28	20.0	30.4 to 24.5	1.5	495	U28Y2000	YH11
30	2.0	33.0 to 27.0	1.5	255	U30Y200	Y5
32	.400	35.2 to 28.8	.6	220	U32Y40	Y3
32	5.0	35.5 to 28.0	3.3	285	U32Y500	Y6
35	5.0	38.0 to 30.0	3.3	285	U35Y500	Y6
37	5.0	40.5 to 32.2	3.3	285	U37Y500	Y6
38	5.0	43.0 to 34.0	3.3	285	U38Y500	Y6
40	1.0	44.0 to 36.0	1.6	235	40UY100	Y3
40	2.0	44.0 to 36.0	1.5	260	U40Y200	Y5
40	5.0	45.0 to 37.0	3.3	285	U40Y500	Y6

Nominal Output Voltage	Output Current Amps.	Output Voltage N/L-F/L	Ripple Volts RMS	(\$) Price	Model	Case Size
41	.400	45.1 to 36.9	.6	220	U41Y40	Y3
42	5.0	48.0 to 36.0	6.5	285	U42Y500	Y6
44	2.0	48.4 to 39.6	1.5	260	U44Y200	Y5
45	1.0	49.5 to 40.5	1.6	245	45UY100	Y3
45	5.0	51.0 to 38.5	6.5	285	U45Y500	Y6
48	.400	52.8 to 43.2	.6	230	U48Y40	Y3
50	1.0	55 to 45	1.6	245	50UY100	Y3
52	.400	57.2 to 46.8	.6	235	U52Y40	Y3
55	.250	60.5 to 49.5	.4	230	U55Y25	Y3
60	1.0	65.3 to 53.0	2.8	255	U60Y100	Y5
62	.400	69.0 to 58.0	1.5	235	U62Y40	Y3
80	.300	88.0 to 72.0	1.0	235	U80Y30	Y3
90	.400	99.0 to 81.0	2.2	235	U90Y40	Y3
95	.150	105 to 85	1.1	235	U95Y15	Y3
100	.200	110 to 93	1.0	235	U100Y20	Y3
110	.200	121 to 100	1.0	235	U110Y20	Y3
120	.200	132 to 110	1.0	235	U120Y20	Y3
140	.200	154 to 126	1.7	245	U140Y20	Y3
150	.200	165 to 135	1.7	245	U150Y20	Y3
165	.200	176 to 144	1.7	245	U165Y20	Y3
170	.200	187 to 153	2.0	245	U170Y20	Y3
180	.200	190 to 162	2.0	245	U180Y20	Y3
200	.200	220 to 180	2.0	250	U200Y20	Y3
250	.200	275 to 225	4.0	250	250UY20	Y3
275	.100	303 to 247	3.0	245	U275Y10	Y3
275	.200	303 to 247	4.0	255	U275Y20	Y5
300	.200	330 to 270	5.0	255	U300Y20	Y5
325	.200	360 to 295	6.0	255	U325Y20	Y5
340	.100	374 to 306	3.0	245	U340Y10	Y3
360	.100	396 to 324	3.0	245	U360Y10	Y3
370	.100	407 to 333	3.0	245	U370Y10	Y3
400	.200	440 to 360	6.0	260	U400Y20	Y5
420	.100	462 to 378	6.7	245	U420Y10	Y3
475	.020	523 to 426	3.1	245	U475Y02	Y3
500	.200	550 to 450	9.1	275	U500Y20	Y5
550	.100	605 to 495	4.8	275	U550Y10*	Y5
580	.020	638 to 522	3.1	245	U580Y02*	Y3
600	.100	660 to 540	10.0	280	U600Y10*	Y5
750	.020	825 to 675	3.1	245	U750Y02*	Y3
800	.100	880 to 720	13.0	280	U800Y10*	Y5
900	.020	1008 to 792	5.0	250	U900Y02*	Y3
900	.100	1008 to 792	15.0	280	U900Y10*	Y5
1000	.100	1120 to 880	15.0	280	U1000Y10*	Y5

*Not U.L. recognized when this catalog was published.

WIDE ADJUST OUTPUT

Output Voltage Range	Output Current Amps.	Ripple Volts RMS	(\$) Price	Model	Case Size
0-8	2.0	2	430	U8YA200*	YA
0-15	1.5	2.5	430	U15YA150*	YA
0-54	1.0	1.6	430	U54YA100*	YA
0-95	.300	2.2	430	U95YA30*	YA
0-125	.200	1.5	430	U125YA20*	YA
0-220	.200	2	430	U220YA20*	YA
0-260	.200	4	430	U260YA20*	YA
0-370	.100	3	430	U370YA10*	YA
0-450	.100	6.7	430	U450YA10*	YA
0-800	.020	3.1	430	U800YA02*	YA
0-950	.020	5	430	U950YA02*	YA

*Not U.L. recognized when this catalog was published.

WALL MOUNTING KITS ...\$10

These kits provide a way of mounting power supplies on a wall or panel when the other side of the mounting surface is inaccessible. Each kit consists of four aluminum brackets and four machine screws for fastening them to the power supply, effectively adding mounting flanges to the power supply.

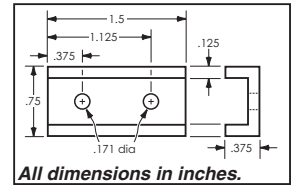
For 'Gold Box' and (modular) 'High Voltage' power supplies:

GB8 Mounting Kit (#8-32 mounting holes)

Can be used on these case sizes:

CM6, CM9, CM13, CH11, CH16, DG5, DG6, DG9, G3, G5, G5D, G6, G9, G13, GT5, GT6, GT9, GT13, H8, H11, H16, HD345, HD355, HA349, HA359, HT11, HT16, LM6A*, LM8A*, LM10A*, M6, M9, M13, RM6, RW6 TG5, TG6, TG9, TG13, TH11, WG7, WM6, WM9, Y3, Y5, Y6, YH11, YA

*For rear mounting brackets horizontally on **LM cases only**, use GBR Mounting Kit...\$15



For 'Narrow Profile' power supplies:

NP6 Mounting Kit (#6-32 mounting holes)

Can be used on these case sizes:

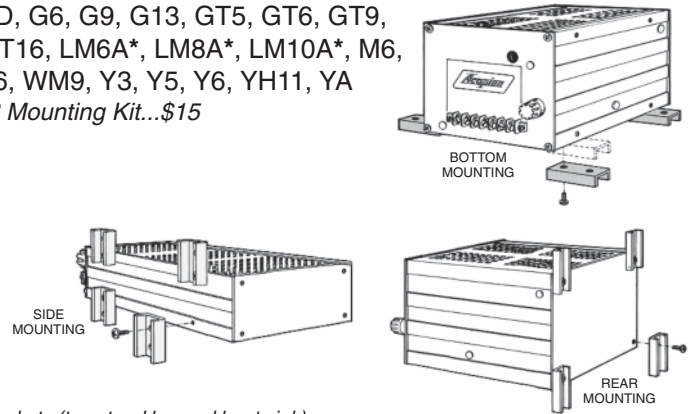
AMC, CN8T, DN6B, DN6A, DN8A, DN8, F6T, F8T, N8T, WL9, WN6A, WN6B, WN8, WN8A, WN8B, TN6T

NP6L Mounting Kit (#6-32 mounting holes)

Can be used on these case sizes:

CN8H, N8H, TN8H

Model NP6L consists of two brackets 1.5" long as shown above, and two 2.5" long brackets (to extend beyond heat sink).



DIN RAIL MOUNTING KITS ...\$15*

CH35DIN Mounting Kit (Horizontal mounting)

Can be used on these case sizes: RM6, RW6

GH35DIN Mounting Kit (Horizontal mounting)

Can be used on these case sizes:

CM6	DG5	G3	GT5	M6	TG5	Y3
CM9	DG6	G5	GT6	M9	TG6	Y5
CM13	DG9	G5D	GT9	M13	TG9	Y6
		G6	GT13		TG13	
		G9				
		G13				

GR35DIN Mounting Kit (Rear mounting)

Can be used on these case sizes:

CM6	DG5	G3	GT5	HD345	M6	RM6	TG5	Y3
CM9	DG6	G5	GT6	HD355	M9	RW6	TG6	Y5
	DG9	G5D	GT9				TG9	Y6
		G6						
		G9						

(GR35DIN can be used, but is not recommended on case sizes: G13, GT13, M13, TG13)

LR35DIN Mounting Kit* (Rear mounting)

LV35DIN Mounting Kit* (Vertical mounting)

LH35DIN Mounting Kit* (Horizontal mounting)

Can be used on these case sizes: LM6A, LM8A, LM10A

*All DIN Kits for LM cases \$20

NPH35DIN Mounting Kit (Horizontal mounting)

Can be used on these case sizes:

CN8H	DN6A	F6T	N8H	TN6T	WN6A
CN8T	DN6B	F8T	N8T	TN8H	WN6B
	DN8				WN8
	DN8A				WN8A
					WN8B

NPR35DIN Mounting Kit (Rear mounting)

Can be used on these case sizes:

CN8H	F6T	N8H	TN6T
CN8T	F8T	N8T	TN8H

NPV35DIN Mounting Kit (Vertical mounting)

Can be used on these case sizes:

CN8H	DN6A	F6T	N8H	TN6T	WN6A
CN8T	DN6B	F8T	N8T	TN8H	WN6B
	DN8				WN8
	DN8A				WN8A
					WN8B

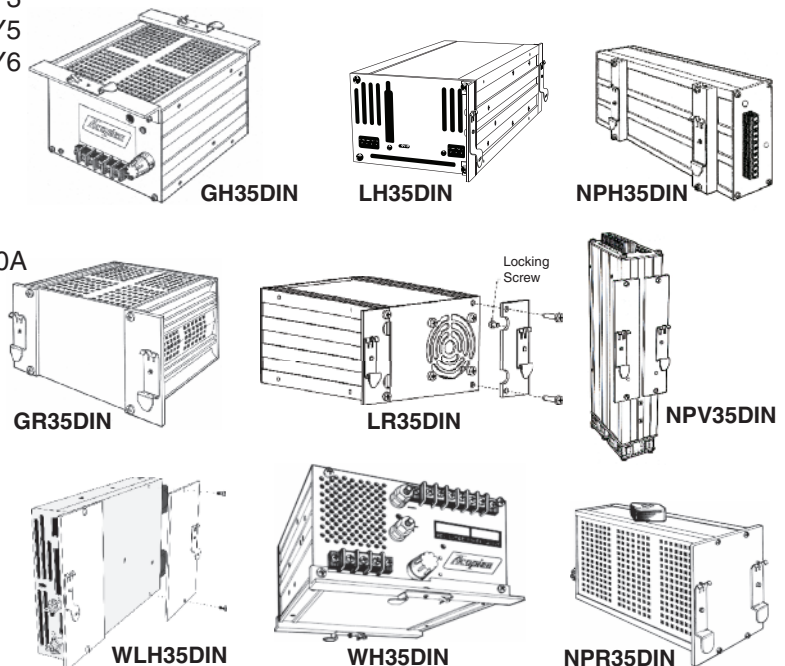
WH35DIN Mounting Kit (Horizontal mounting)

Can be used on these case sizes: WM6, WM9

WL35DIN Mounting Kit (Vertical mounting)

WLV35DIN Mounting Kit (Horizontal mounting)

Can be used on these case sizes: WL7, WL9



ACOPIAN SELLS FACTORY DIRECT WORLDWIDE: We do not use representatives or distributors. Contact Acopian for technical information or a quote.

WARRANTY: Acopian power supplies are warranted to be free from defects in material and workmanship for a period of five years (encapsulated devices, for one year) from date of original shipment. Acopian's obligation under this warranty is limited to repairing any power supply returned to the factory Service Department in Easton, PA or Melbourne, FL, and replacing any defective parts. Mini Encapsulated power supplies are not repairable. Authorization must be obtained from Acopian before a power supply may be returned for repair. Units must be well packed when shipping to Acopian; the repair of any damage incurred during shipment will be charged. Transportation charges are to be paid by the purchaser. A reinspection and handling charge will be applied to returned units found to have no defects. If a failure has been caused by misuse, operation in excess of specifications, or modification by the customer, repairs will be billed at cost; in such cases, a cost estimate will be submitted before work is started.

Acopian reserves the right to make changes or improvements in its products without incurring any obligation to install the same on products previously manufactured.

This warranty is in lieu of all other warranties, obligations, and liabilities, expressed or implied, and is the purchaser's exclusive remedy. Acopian makes no warranty, either express or implied, of merchantability, fitness for a particular purpose or otherwise. In no event shall Acopian be liable whether in contract, tort, or negligence, for special, indirect, incidental or consequential damages of any kind, including loss of business or profits, or any other losses incurred by the purchaser or any third party, the Customer's remedies being limited, at Acopian's option, to replacement, repair or credit at the price on the date of claim.

The validity, performance and construction of all terms and conditions and any sale made by Acopian shall be determined by the law of Pennsylvania, without regard to its conflict of law principles, and all parties to the transaction expressly consent to the jurisdiction of such courts and consent to the venue of the Court of Common Pleas for Northampton County, Pennsylvania.

PRICES: The prices shown are F.O.B. our factory; Easton, PA or Melbourne, FL. ('EXW Factory' if outside the 50 United States.) All prices and specifications are subject to change without notice.

TERMS: Net 30 days, subject to credit approval. Visa, MasterCard and American Express also accepted.

SHIPPING: Location permitting, small shipments are made by United Parcel Service, FedEx, DHL (international orders) or by Parcel Post; larger shipments, by insured motor freight collect. Shipments can be made by air upon request. Risk of loss shall be F.O.B. Our Factory, even in cases where freight may be prepaid or allowed to destination by Acopian. If equipment is received in damaged condition, it is the customer's responsibility to contact the carrier and file a claim for damages.

TIME FOR DELIVERY: The time for delivery quoted by Acopian is the time required to ship from our plants. We will not be liable for delays in delivery caused by any reason beyond our control, including but not limited to acts of God, casualty, civil disturbance, labor disputes, transportation or supply difficulties, or any interruption of our facilities, and the quoted time for delivery shall be extended during the continuance of such conditions and for a reasonable time thereafter. In no event will Acopian be liable for any premium transportation, reprourement, or similar costs incurred by the Customer as a result of conditions beyond Acopian's control resulting in Acopian's inability to deliver product in accordance with customer's requested delivery schedules.

QUANTITY DISCOUNTS: Discounts are available to quantity buyers and are dependent upon the order quantity and the manufacturing scheduling anticipated by the order, and apply only to the quantity and delivery ordered. Partial shipments are considered as separate orders for discounting purposes.

EXPORT ORDERS: A minimum export documentation charge of \$60.00 applies. (A minimum charge of \$25.00 applies on orders to certain U.S. territories requiring customs forms.)

MOISTURE/FUNGUS PROOFING: Power supplies can be furnished with a moisture and fungus resistant varnish applied to interior surfaces. To order, add the suffix letter F to the model number. This option requires two additional days and is not available on High Voltage, Mini Encapsulated, Rack Mounting, and Gold Box Switching models.

TAGGING: Add \$10.00 to price.

TEST DATA: Cost, \$35.00 or 2% of order, whichever is greater.

SPECIAL MODELS/MODIFICATIONS: Cataloged models can be altered at the factory to meet special requirements. Contact the Applications Engineering Department to discuss your needs.

PARTS: The designs used in Acopian power supplies utilize standard components to the greatest practical extent. When replacements are required, the types originally used, or their equivalents, can usually be obtained most quickly from a local electronic components distributor.

Special components, such as transformers, are stocked at the factory warehouses. Contact the Applications Engineering Department for information on the parts required, referencing the model number of the power supply, the circuit designation of the component, and a description.

PURCHASE ORDER ACCEPTANCE: Orders are accepted subject to Acopian's Terms and Conditions. Any Terms and Conditions of any Purchaser's order, agreement, or understanding which are in addition to or inconsistent with Acopian's shall not be binding upon Acopian unless made in writing and accepted over the signature of an authorized officer of Acopian. Orders shall not be considered accepted until entered into production at our plant. Acopian reserves the right to refuse any order. All typographical and clerical errors are subject to correction by Acopian.

RETURNED GOODS: Acopian products are built on a per-order basis, and ordinarily no credit can be extended for their return. No goods will be accepted for return unless authorized in writing by Acopian.

CHANGES: The customer may, by a written notice, request changes within the general scope of the order, in the drawings, designs or specifications; method of shipment; and place of delivery. If any such change causes an increase or decrease in the cost, or the time required for the processing of any part of the order, an equitable adjustment shall be made in the price or delivery schedule, or both, and the order shall be modified in writing accordingly.

CANCELLATION: Suspension or cancellation of orders may be made only upon our written approval and on terms that will indemnify us against all loss.

OVERTIME: It is anticipated that any order will be processed during regular working hours on regular working days. If for any reason the Purchaser requests Acopian to process the order, or any portion of it, outside of such regular working hours, any overtime or other additional expense occasioned thereby shall be billed to and paid by the Purchaser as an extra cost. Acopian reserves the right to decline to process the order outside regular working hours.

CUSTOMER DELAY OF WORK: If the performance of all or any part of the work is delayed or interrupted by Customer's failure to act within the time specified (or within a reasonable time if no time is specified) and such act is not expressed or implied by the order, an adjustment shall be made in the cost of performance of the order caused by such delay or interruption and the order modified in writing accordingly. Adjustment will also be made in the delivery or performance dates and any other contractual provisions affected by such delay or interruption.

GOVERNMENT SPECIFICATIONS: Pricing is based upon industrial-grade construction, marking, packing, and packaging. Exception is taken to any MIL specifications, and to any requirements for the use of special forms, documentation other than quoted, and Government Source Inspection. Acopian must decline to quote on any other basis.

APPLICATIONS ASSISTANCE: *Questions regarding the specifications, features, and use of any Acopian product should be directed to the Applications Engineering Department. A staff of power supply specialists will be pleased to assist you.*

ACOPIAN IS AN ISO 9001 CERTIFIED COMPANY