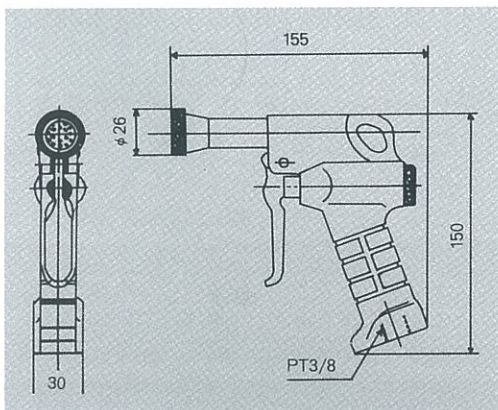


Use of Coolant gun for cleaning and cleaning of Exclusively tools, CNC Lathe, Milling M/C, Grinder etc... all tools using coolant



Necessary  
item of  
all tools



## Characteristic

1. Used to all type of lubricants
2. Main body's material is aluminum
3. Resist pressure : 5kg/cm<sup>2</sup>
4. Weight : 500 g

## Specification

- SCG 3/8"

## Installation

Easily install refer photo as connect to cutting oil tank

1. No damage of bed and sliding side
2. Produce the nozzle variously due to mechanical characteristics
3. Protect the contamination at cleaning after cutting process
4. Designed and manufactured for conveniently used