

Shop Order

Shop Order No D300466	Release No 1	Part No 10622-DRVD3004661	Assembly drawing 2-74957
	Sequence No 1	Part Description KF-3200-22.4-LA-E2	Drawing No 331649
Lot Size		2,00	
Revised Due Date		20.11.2003	
Corresponding Customer Order:		D300466	
Customer number		16500	
Customer name		RAUMASTER OY	
Plate number		D300466/03-1/1-1	
		- Proj.Pos. 1357.04/1-2	
		- roof mounting	
		- radial power 100 kN	
		- output shaft bearing with boring for the vibration measuring, thread M6, depth 8 mm, uniform area \varnothing 22 mm	
Motor		Kumera <input type="checkbox"/> Customer <input type="checkbox"/> Without <input type="checkbox"/>	
Painting		Standard <input type="checkbox"/> Others <input type="checkbox"/>	

Configuration Characteristics

Characteristic	Characteristic Value	Unit
Motor IEC	None	
n1 norm 1/min	0	
Nominal ratio	22.4	

Material Allocations

Pos	Part No		Drawing No	Material	Qty Required
1	1066501	HOUSING HALF	1-80230	GJL-200 VM 59919-1-1	2,00
2	1066502	HOUSING HALF II	1-80230	GJL-200 VM 59919-2-1	2,00
3	1046945	BEARING COVER	3-61405C	GJL-200 VM 61181-1	2,00
9	1046947	BEARING HOUSING	3-61407B	GJL-200 VM 61406-1	2,00
10	1053349	BEARING HOUSING	4-70326	S355J2G3 \varnothing 225/189X45	4,00
11	1046811	INSPECTION COVER	4-61267B	HITSATTU	2,00
18	1047589	BEVEL GEAR	3-61624C	18CRNIMO7-6 \varnothing 182X40.5	2,00
19	1048934	GEAR	4-62699B	18CRNIMO7-6 \varnothing 229X56	2,00
20	1048890	GEAR	4-62648A	18CRNIMO7-6 \varnothing 325X80	2,00
21	1047588	BEVEL GEAR SHAFT	3-61623C	18CRNIMO7-6 \varnothing 138X334.66	2,00
23	1048930	INTERMED. SHAFT	3-62695	20MNCR5 \varnothing 64X233.5	2,00
24	1048892	INTERMED. SHAFT	3-62650	20MNCR5 \varnothing 92X245	2,00

2003-11-13-08.23

Shop Order

25	1053323	OUTPUT SHAFT	3-70303	42CRMO4+QT ø164X400	2,00
26	1046970	DISTANCE RING	4-61431A	S355J2G3 ø65/55.5X38.5	4,00
29	1006499	SUPPORT RING	DIN 988	SS 45X55X3	2,00
30	1006502	SUPPORT RING	DIN 988	SS 65X85X3 .5	2,00
31	1052294	DISTANCE RING	4-69527	S355J2G3 ø168.3/150.5X8	2,00
35	1048893	DISTANCE RING	4-62651A	S355J2G3 ø99.5/90X15	4,00
37	1053350	DISTANCE RING	4-70327	S355J2G3 ø168.3/151.5X62	2,00
38	1046951	SHIM RING	4-61411A	S355J2G3 ø280/180.5X5	2,00
48	1006507	SUPPORT RING	DIN 988	SS 100X120 X3.5	4,00
50	1002637	OIL SEAL	4-8300	KUMI 100X110X2	2,00
52	1049617	BREATHER PLUG	FINNFILTER	FC2021.N01 D-GX12-K1 R3/4	2,00
53	1023012	PIPE PLUG	DIN 908	5.8 R 3/4	8,00
54	1002082	PIPE PLUG	DIN 909	5.8 R 3/4	2,00
55	1000469	JOINT RING	DIN 7603	CU A 27X32	8,00
56	1001393	EYE BOLT	DIN 580	GS45 M 24	4,00
57	1013303	HELICAL PIN	DIN 7	FE50K 16H8X40	4,00
58	1001098	RECTANGULAR KEY	SFS 2636	CK45K B-14X9X56	2,00
61	1000958	RECTANGULAR KEY	SFS 2636	CK45K B-14X9X39	2,00
62	1002209	RECTANGULAR KEY	SFS 2636	CK45K B-20X12X46	2,00
63	1002712	RECTANGULAR KEY	SFS 2636	CK45K B-40X22X79	2,00
64	1016605	RECTANGULAR KEY	SFS 2636	CK45K B-36X20X71	2,00
65	1050322	TAPER ROLLER BEARING		32311 B	4,00
68	1007004	TAPER ROLLER BEARING		32309	4,00
69	1003652	TAPER ROLLER BEARING		32313	4,00
70	1008306	CYLINDER ROLLER BEARING	INA	SL 182930	4,00
71	1006459	SHAFT NUT		KM 11	2,00
72	1006487	LOCKING PLATE		MB 11	2,00
75	1019577	SHAFT OIL SEAL	DIN 3760	FP-G AS 50X72X8	2,00
77	1009857	SHAFT OIL SEAL	DIN 3760	FP-G A 150X180X15	2,00
80	1002693	SNAP RING	DIN 472	J 100X3	4,00

Shop Order

2

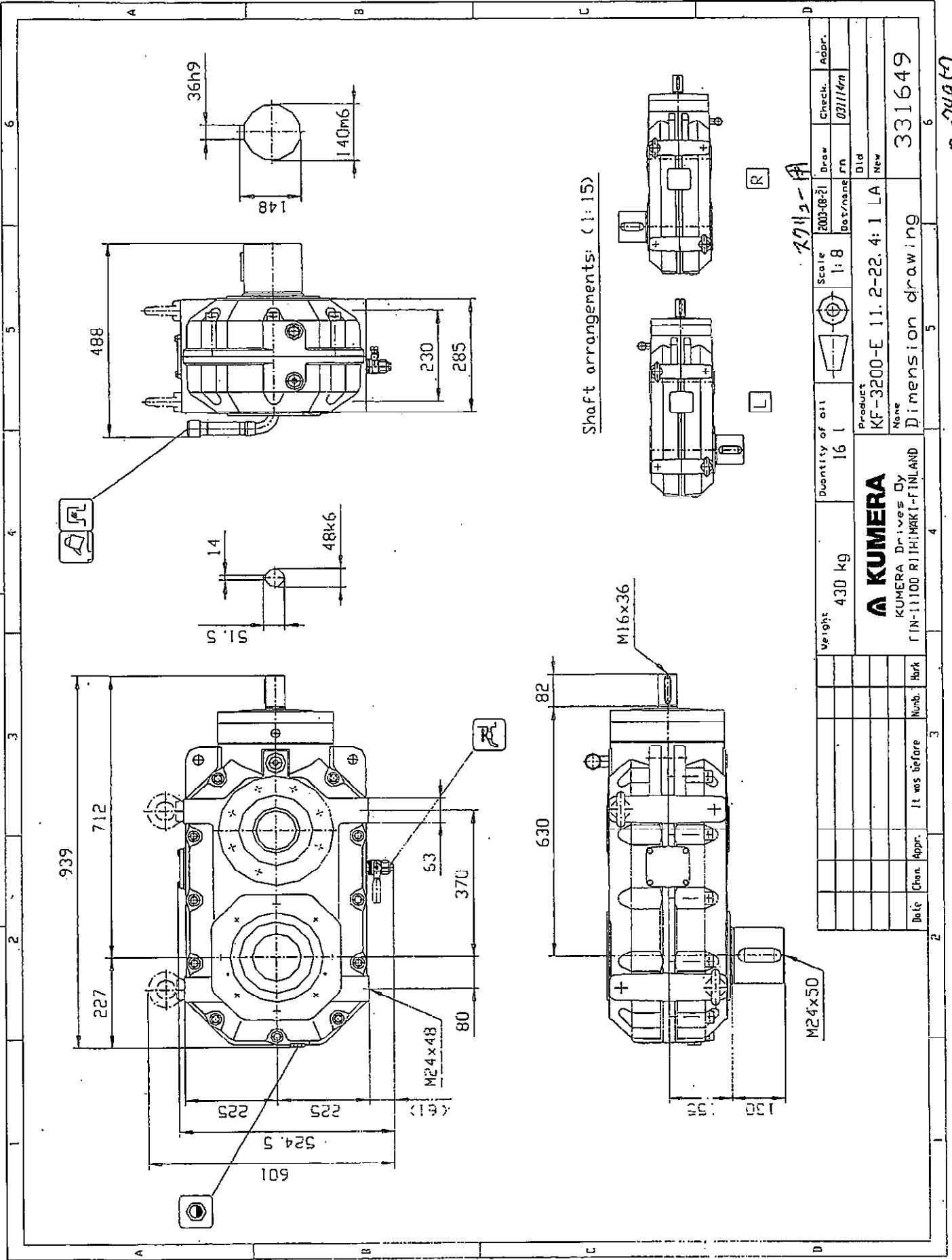
2003-11-13-08.23

Shop Order

83	1009385	SHIM RING	DIN 988	PS 55X68	6,00
85	1005082	SHIM RING	DIN 988	PS 80X100	6,00
86	1004622	SHIM RING	DIN 988	PS 110X140	6,00
90	1047500	UNBRACO SCREW	SFS 2219	8.8 M 20X120	22,00
94	1006620	HEXAGON HEAD BOLT	SFS 2063	M 8.8 M 20X110	16,00
100	1000113	HEXAGON HEAD BOLT	SFS 2064	M 8.8 M 8X20	8,00
119	1014403	END COVER		STEFA VK 100X12	2,00
120*	1053972	END COVER		STEFA VK 180X12	2,00
122	1014403	END COVER		STEFA VK 100X12	2,00
123	1001097	OIL SIGHT GLASS	MINTOR	TLA-4 R3/4	2,00
124	1047429	BALL VALVE	NESTEPAINE	B 30634 R 3/4	2,00
315	1003601	TUBE BEND 90 DEGR.	AC844	LVI R 3/4 NO 5210	2,00
317	1009938	DOUBLE NIPPLE	AD656, SFS 2446	LVI 5870 R 3/4	2,00
318	1060497	PIPE	4-75636	S235JRG2 NBK32x3.5X75	2,00

Shop Order

3

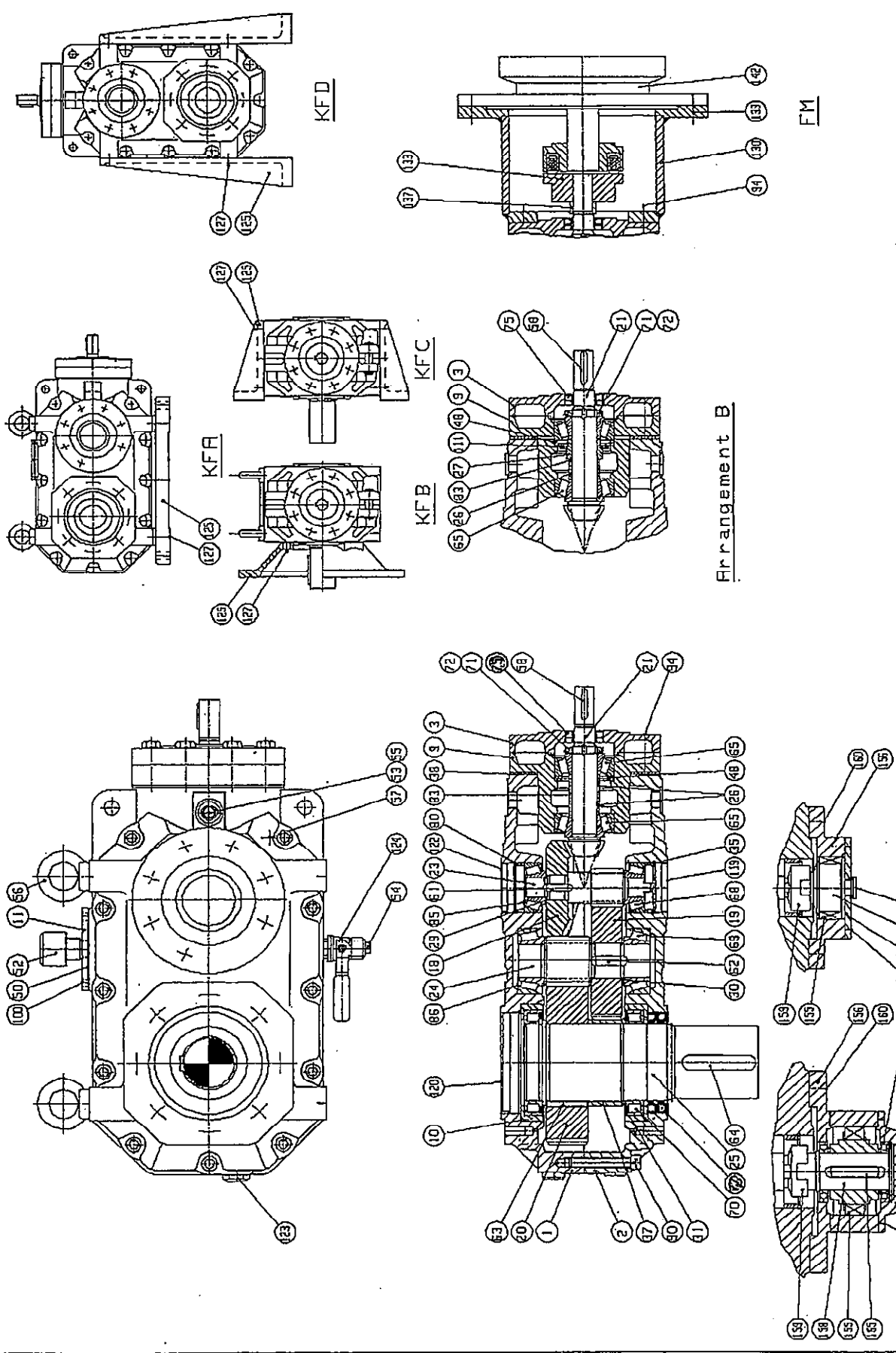


Shaft arrangements: (1:15)

27112-1A

Weight	430 kg	Quantity of oil	16 l	Scale	1:8	Draw	02114rn	Check.	Appr.
Product	KF-3200-E 11.2-22.4:1 LA New								
Name	KUMERA Drives Oy								
FIN-11100 RIIHIMÄKI-FINLAND	Dimension drawing								
Date	Chan.	Appr.	It was before	Numb.	Mark	331649			

2-74957



Scale	1:3	Drawn	PH	Checked	GRK/PH	Appr.
Part No.	RF-3000 E	Rev.	New	Part No.	RF-3000 E	Rev.
Part Name	A KUMERA KUMERA Drives OY FIN-1100 R1H1K1-FINR0 Assembly					
Date	Des.	Par.	Ill us before	Num.	Wk.	

RF-3080 J...3140J

RF-3160J...3200J